

Cherry Recessed B Pendant

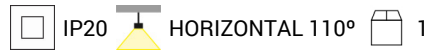
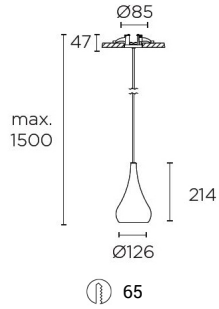
Designer: Gemma Bernal



Description

Pendant Cherry Recessed B LED 8.6W 3000K Black 859lm

	Finish	Material
Structure	Black	Steel
Diffuser	Transparent	Methacrylate



TECHNICAL CHARACTERISTICS

Light source

Light source: LED CREE  
 Output (W): 8.6W  
 Total power consumption (W): 10.2W  
 Color temperature: LED warm-white 3000K  
 CRI: 80  
 Photobiological risk: RG1  
 Real Lumen: 859  
 Qty Leds: 1  
 Lm/Real W: 84  
 Life Time: 50.000h L80B20  
 Bin / Grup: 30H  
 MacAdam steps: 2  
 UGR: 26.5  
 Recommended lamp: LED

GEAR

Brand: HEP  
 Gear included: Yes, electronic  
 Voltage / Frequency: 100-240V/50-60Hz  
 Power Factor: 0.90  
 Dimming protocol: ON-OFF

Luminaire

Warranty: 5 Years

Logistics

Energy Efficiency: LED A++  
 EAN Code: 8435381491949  
 Net Weight (Kg): 0.98  
 Weight in Kg (packaged): 1.17  
 Packing: 155 x 155 x 315  
 Masterbox: 1

The photograph may not match the reference exactly. Please read the product description to identify the finish.

# LEDS C4<sup>®</sup>

## Luminaria

Código 00-5978-60-60V1  
Nombre CHERRY

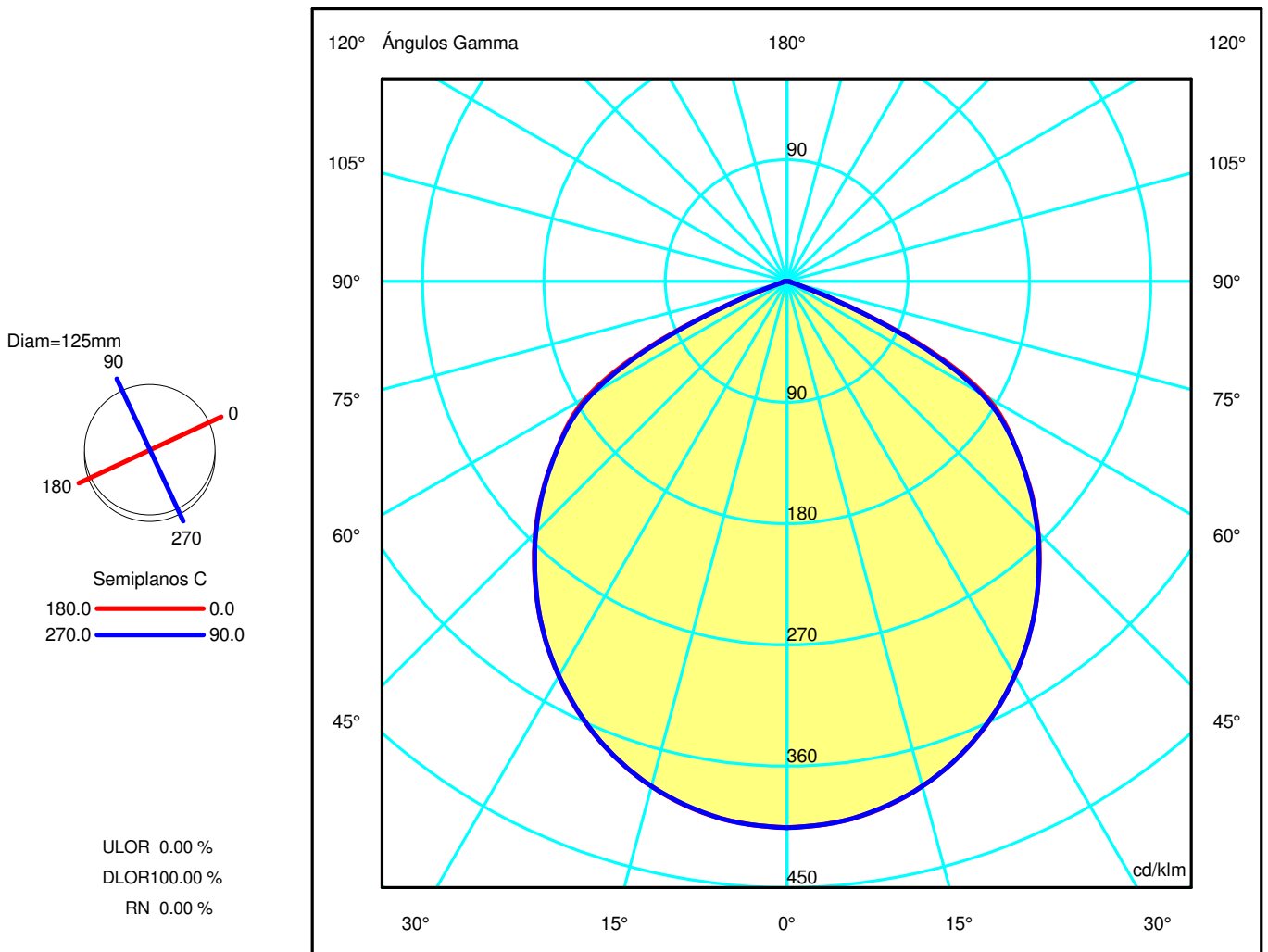
## Ensayo

Código 00-5978-60-60V1  
Nombre CHERRY

Flujo Luminaria	858.71 lm	Potencia luminaria	10.21 W	Eficacia	84.10 lm/W	Eficiencia	100.00%
Flujo de Lámpara	858.71 lm	Valor Máximo	405.53 cd/klm	Posición	C=0.00 G=0.00	CG	Bisimétrico
Luminaria Redonda Área Luminosa Redonda		Diam. Diam.	125 mm 85 mm	Altura Altura	175 mm 0 mm		
Área Luminosa Horizontal Área Emisión sobre Pl. 0° Área Emisión sobre Pl. 90°		0.005675 m2 0.000000 m2 0.000000 m2		Área Emisión sobre Pl. 180° Área Emisión sobre Pl. 270° Área de deslumbramiento a 76°		0.000000 m2 0.000000 m2 0.001373 m2	
Sist. de Coorden. Fecha Distancia de Ensayo		CG 27-09-2017 0.00		Tipo de Simetría Máximo Ángulo Gamma Flujo de Ensayo		Bisimétrico 90 858.71 lm	
Operador Temperatura Humedad Notas		Asselum T2 25.00 °C 60.00 %		Tensión de alimentación [V] Corriente de alimentación [A] Fotocélula			

## Lámparas de la Luminaria

Familia	Código	Nombre	Flujo [lm]	Pot. [W]	Cant.
	00-5346-F5-F5V2	00-5346-F5-F5V2	858.71	10.21	1
C.I.E. F UTE	54 89 100 100 100 1.00 D	D DIN 5040 B NBN	A40 BZ 4 / 0.8 / BZ 3		



**Luminaria**

Código 00-5978-60-60V1

Nombre CHERRY

**Ensayo**

Código 00-5978-60-60V1

Nombre CHERRY

Flujo Luminaria	858.71 lm	Potencia luminaria	10.21 W	Eficacia	84.10 lm/W	Eficiencia	100.00%
Flujo de Lámpara	858.71 lm	Valor Máximo	405.53 cd/klm	Posición	C=0.00 G=0.00	CG	Bisimétrico

**Tabla de Intensidad Luminosa cd/klm Tabla 1/1**

	C 0.00	C 15.00	C 30.00	C 45.00	C 60.00	C 75.00	C 90.00
G 0.0	405.53	405.53	405.53	405.53	405.53	405.53	405.53
G 5.0	403.40	403.66	403.51	403.65	403.60	403.69	403.51
G 10.0	397.72	398.00	397.71	397.73	397.73	397.68	397.59
G 15.0	388.03	388.50	388.11	388.29	388.09	388.27	387.99
G 20.0	374.81	375.26	374.81	374.89	374.75	374.87	374.80
G 25.0	358.13	358.48	358.08	358.14	357.95	358.08	358.01
G 30.0	338.23	338.91	338.24	338.31	338.22	338.12	338.02
G 35.0	315.59	316.28	315.32	315.76	315.47	315.83	315.60
G 40.0	290.49	291.48	290.63	290.54	290.35	290.64	290.08
G 45.0	263.65	264.78	263.27	263.51	263.15	263.22	263.04
G 50.0	234.45	234.75	234.06	234.22	234.20	234.32	233.98
G 55.0	203.98	205.36	203.70	203.67	203.63	203.95	203.58
G 60.0	170.11	169.42	166.89	168.63	166.23	169.60	166.36
G 65.0	102.93	105.39	98.74	99.71	97.80	102.06	99.03
G 70.0	21.86	21.32	19.99	17.53	20.43	19.38	21.19
G 75.0	3.50	3.07	3.22	3.01	3.11	2.88	3.12
G 80.0	2.30	2.38	2.32	2.35	2.32	2.32	2.31
G 85.0	1.41	1.49	1.46	1.47	1.49	1.45	1.49
G 90.0	0.75	0.75	0.74	0.74	0.74	0.75	0.76

# LEDS C4<sup>®</sup>

**Luminaria**

Código 00-5978-60-60V1  
Nombre CHERRY

**Ensayo**

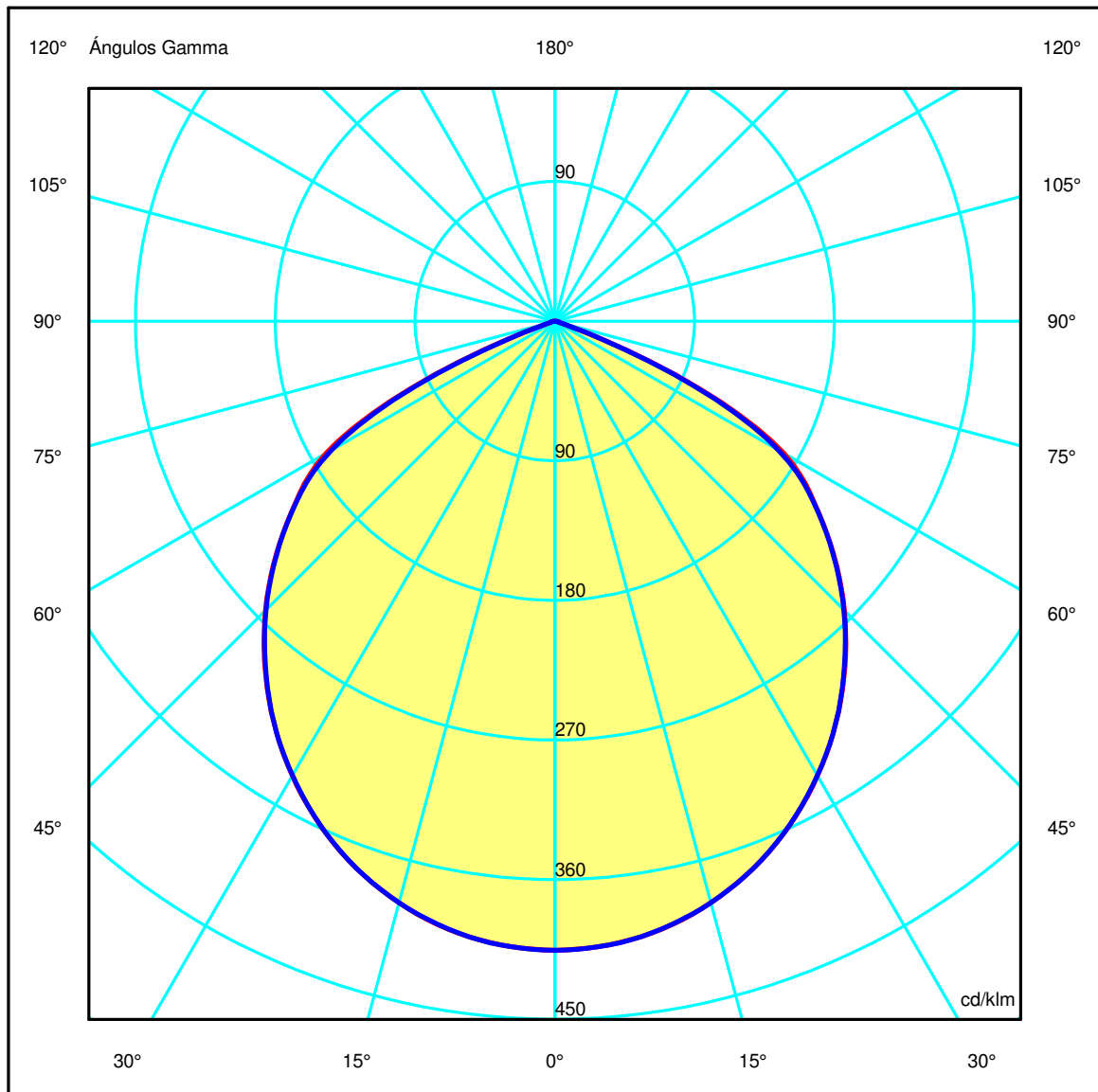
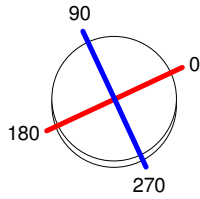
Código 00-5978-60-60V1  
Nombre CHERRY

Flujo Luminaria	858.71 lm	Potencia luminaria	10.21 W	Eficacia	84.10 lm/W	Eficiencia	100.00%
Flujo de Lámpara	858.71 lm	Valor Máximo	405.53 cd/klm	Posición	C=0.00 G=0.00	CG	Bisimétrico

Diam=125mm

Semiplanos C

180.0 ——— 0.0  
270.0 ——— 90.0



# LEDS C4<sup>®</sup>

## Luminaria

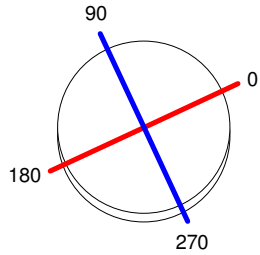
Código 00-5978-60-60V1  
Nombre CHERRY

## Ensayo

Código 00-5978-60-60V1  
Nombre CHERRY

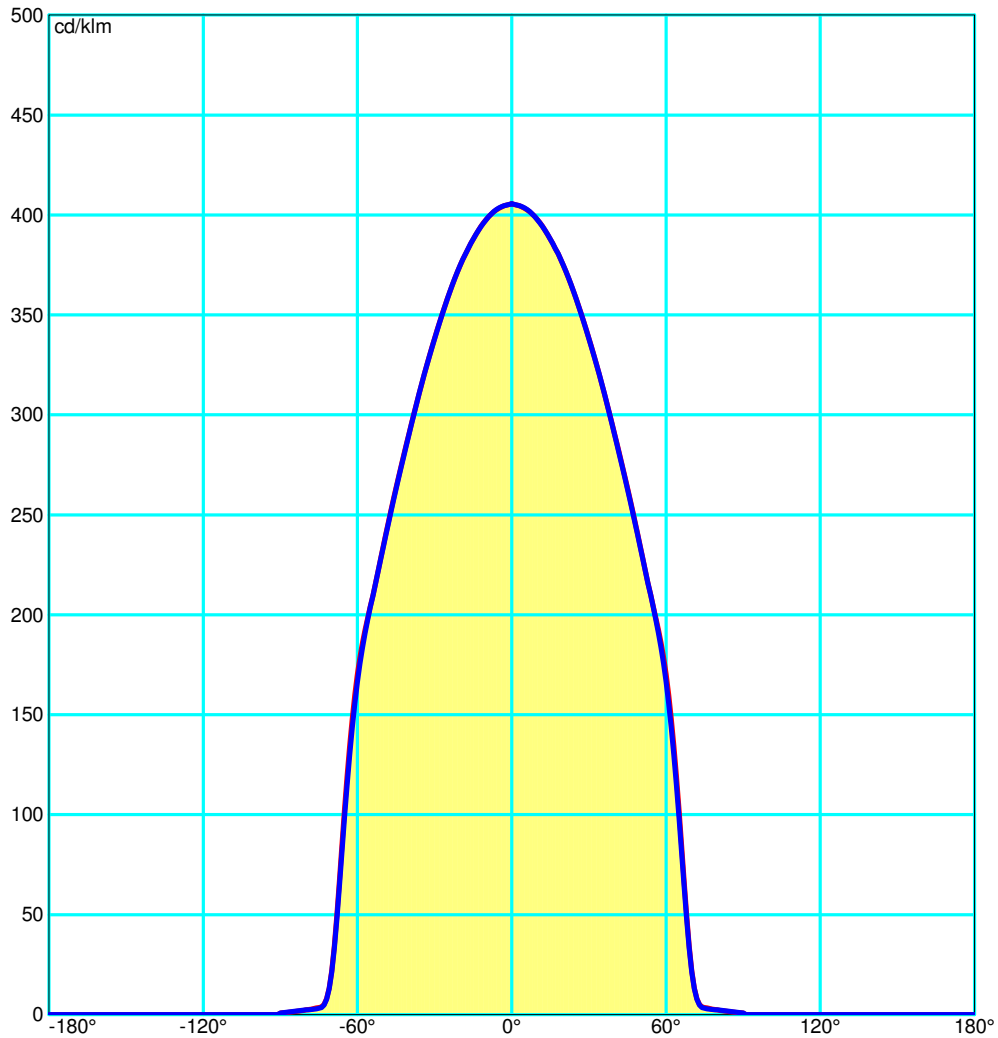
Flujo Luminaria	858.71 lm	Potencia luminaria	10.21 W	Eficacia	84.10 lm/W	Eficiencia	100.00%
Flujo de Lámpara	858.71 lm	Valor Máximo	405.53 cd/klm	Posición	C=0.00 G=0.00	CG	Bisimétrico

Diam=125mm



Semiplanos C

180.0 ——— 0.0  
270.0 ——— 90.0



**Luminaria**

Código 00-5978-60-60V1

Nombre CHERRY

**Ensayo**

Código 00-5978-60-60V1

Nombre CHERRY

Flujo Luminaria	858.71 lm	Potencia luminaria	10.21 W	Eficacia	84.10 lm/W	Eficiencia	100.00%
Flujo de Lámpara	858.71 lm	Valor Máximo	405.53 cd/klm	Posición	C=0.00 G=0.00	CG	Bisimétrico

**UGR**  
S = 0.250

Reflectancias										
Ceiling/Cavity	0.7	0.7	0.5	0.5	0.3	0.7	0.7	0.5	0.5	0.3
Walls	0.5	0.3	0.5	0.3	0.3	0.5	0.3	0.5	0.3	0.3
WorkingPlane	0.2	0.2	0.2	0.2	0.2	0.2	0.2	0.2	0.2	0.2
RoomDimensions	Viewed Crosswise					Viewed Endwise				
x=2H y=2H	26.6	27.8	26.9	28.0	28.2	26.5	27.8	26.8	28.0	28.2
x=2H y=3H	26.9	28.0	27.2	28.2	28.5	26.8	27.9	27.2	28.2	28.4
x=2H y=4H	26.8	27.8	27.2	28.1	28.4	26.8	27.8	27.1	28.1	28.3
x=2H y=6H	26.8	27.7	27.1	28.0	28.3	26.7	27.6	27.1	27.9	28.2
x=2H y=8H	26.7	27.6	27.1	27.9	28.3	26.7	27.6	27.0	27.9	28.2
x=2H y=12H	26.7	27.5	27.1	27.9	28.2	26.6	27.5	27.0	27.8	28.1
x=4H y=2H	27.0	28.0	27.4	28.3	28.6	27.0	28.0	27.3	28.3	28.6
x=4H y=3H	27.3	28.2	27.7	28.5	28.8	27.3	28.1	27.7	28.4	28.8
x=4H y=4H	27.3	28.0	27.7	28.4	28.7	27.2	28.0	27.6	28.3	28.7
x=4H y=6H	27.2	27.9	27.6	28.2	28.6	27.2	27.8	27.6	28.2	28.6
x=4H y=8H	27.2	27.8	27.6	28.2	28.6	27.1	27.7	27.6	28.1	28.5
x=4H y=12H	27.1	27.7	27.6	28.1	28.5	27.1	27.6	27.5	28.0	28.4
x=8H y=4H	27.2	27.8	27.6	28.2	28.6	27.1	27.7	27.6	28.1	28.5
x=8H y=6H	27.1	27.6	27.6	28.0	28.5	27.1	27.5	27.5	28.0	28.4
x=8H y=8H	27.1	27.5	27.6	27.9	28.4	27.0	27.5	27.5	27.9	28.4
x=8H y=12H	27.1	27.4	27.5	27.9	28.4	27.0	27.4	27.5	27.8	28.3
x=12H y=4H	27.2	27.7	27.6	28.1	28.5	27.1	27.6	27.5	28.0	28.5
x=12H y=6H	27.1	27.5	27.6	27.9	28.4	27.0	27.4	27.5	27.9	28.4
x=12H y=8H	27.0	27.4	27.5	27.9	28.4	27.0	27.4	27.5	27.8	28.3

**Luminaria**

Código 00-5978-60-60V1

Nombre CHERRY

**Ensayo**

Código 00-5978-60-60V1

Nombre CHERRY

Flujo Luminaria	858.71 lm	Potencia luminaria	10.21 W	Eficacia	84.10 lm/W	Eficiencia	100.00%
Flujo de Lámpara	858.71 lm	Valor Máximo	405.53 cd/klm	Posición	C=0.00 G=0.00	CG	Bisimétrico

Flujo Total=858.71 Flujo Luminaria=858.71

RI	0.60	0.80	1.00	1.25	1.50	2.00	2.50	3.00	4.00	5.00	10.00	20.00
DRR	0.34	0.44	0.52	0.60	0.66	0.74	0.80	0.83	0.87	0.90	0.94	0.97
RC	4	4	4	4	3	3	3	3	3	3	3	3

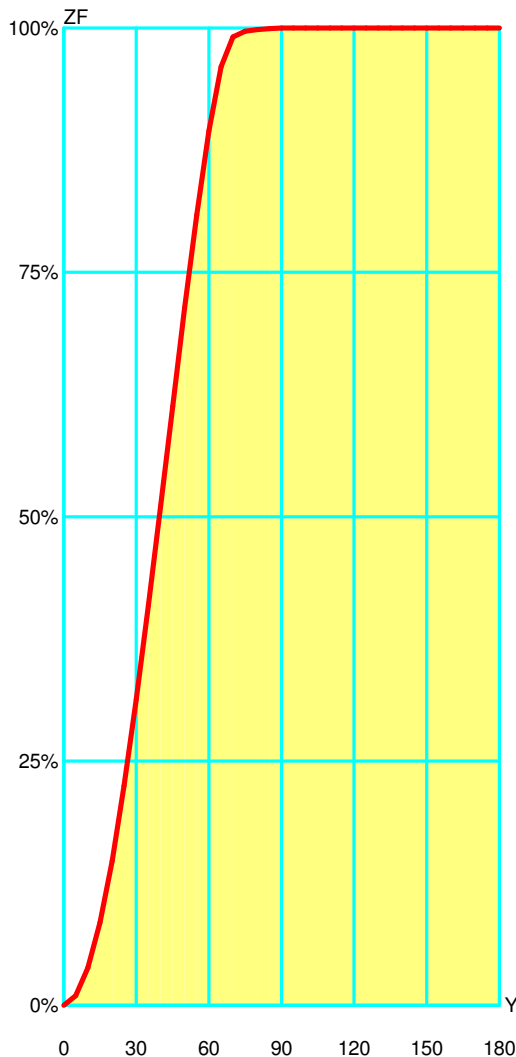
Flujo Zonal por 1000 Lúmenes

Y°	10	20	30	40	50	60	70	80	90	100	110	120	130	140	150	160	170	180
ZF(Y)	38	148	313	510	714	895	991	998	1000	1000	1000	1000	1000	1000	1000	1000	1000	1000

Códigos de Flujo C.I.E.

54 89 100 100 100

C.I.E.	4/4/4/4/3/3/3/3/3/3/3	LOR	100.00000 %
D DIN 5040	A40	ULOR	0.00000 %
F UTE	1.00 D	DLOR	100.00000 %
B NBN	BZ 4 / 0.8 / BZ 3	UFF	0.00000 %
RN	0.00000 %	DFF	100.00000 %
BLF	1.0	FFR	0.00000 %



Gamma °	Flujo Zonal			
	Flujo	Suma lm	Flujo [%]	Suma [%]
0°	0.00	0.00	0.00%	0.00 %
5°	9.67	9.67	0.97 %	0.97 %
10°	28.67	38.34	2.87 %	3.83 %
15°	46.62	84.96	4.66 %	8.50 %
20°	62.89	147.85	6.29 %	14.79 %
25°	76.88	224.73	7.69 %	22.47 %
30°	88.14	312.87	8.81 %	31.29 %
35°	96.31	409.18	9.63 %	40.92 %
40°	101.17	510.35	10.12 %	51.03 %
45°	102.61	612.96	10.26 %	61.30 %
50°	100.60	713.56	10.06 %	71.36 %
55°	95.30	808.86	9.53 %	80.89 %
60°	86.03	894.89	8.60 %	89.49 %
65°	65.38	960.27	6.54 %	96.03 %
70°	30.59	990.86	3.06 %	99.09 %
75°	6.05	996.91	0.60 %	99.69 %
80°	1.45	998.36	0.15 %	99.84 %
85°	1.03	999.39	0.10 %	99.94 %
90°	0.61	1000.00	0.06 %	100.00 %
95°	0.00	1000.00	0.00 %	100.00 %
100°	0.00	1000.00	0.00 %	100.00 %
105°	0.00	1000.00	0.00 %	100.00 %
110°	0.00	1000.00	0.00 %	100.00 %
115°	0.00	1000.00	0.00 %	100.00 %
120°	0.00	1000.00	0.00 %	100.00 %
125°	0.00	1000.00	0.00 %	100.00 %
130°	0.00	1000.00	0.00 %	100.00 %
135°	0.00	1000.00	0.00 %	100.00 %
140°	0.00	1000.00	0.00 %	100.00 %
145°	0.00	1000.00	0.00 %	100.00 %
150°	0.00	1000.00	0.00 %	100.00 %
155°	0.00	1000.00	0.00 %	100.00 %
160°	0.00	1000.00	0.00 %	100.00 %
165°	0.00	1000.00	0.00 %	100.00 %
170°	0.00	1000.00	0.00 %	100.00 %
175°	0.00	1000.00	0.00 %	100.00 %
180°	0.00	1000.00	0.00 %	100.00 %

**Luminaria**

Código 00-5978-60-60V1

Nombre CHERRY

**Ensayo**

Código 00-5978-60-60V1

Nombre CHERRY

Flujo Luminaria	858.71 lm	Potencia luminaria	10.21 W	Eficacia	84.10 lm/W	Eficiencia	100.00%
Flujo de Lámpara	858.71 lm	Valor Máximo	405.53 cd/klm	Posición	C=0.00 G=0.00	CG	Bisimétrico

## Utilización CIE

Montaje	Directo	Normalización										Normalizados										Raz. de Susp. 1/3			CIE Estándar		
Techo																											
K	8873	8773	8871	8771	7773	7771	7753	7553	7751	7551	7731	7331	7711	7111	5551	5531	5331	5511	5111	3331	3311	1111	0000				
0.60	213	191	165	148	182	142	110	93	84	72	45	34	17	12	67	36	32	14	11	31	12	10	0				
0.80	244	224	172	158	213	151	138	121	95	83	54	43	24	17	78	45	41	20	16	39	17	15	0				
1.00	265	247	170	159	234	153	161	143	100	90	60	50	30	23	84	51	47	26	22	45	22	20	0				
1.25	283	267	165	157	254	150	184	167	103	94	66	56	37	29	89	57	53	32	28	51	29	26	0				
1.50	297	282	160	153	269	147	203	186	105	97	71	61	43	35	91	62	58	38	34	56	34	31	0				
2.00	314	302	149	144	288	139	231	216	105	99	77	69	53	45	94	69	66	48	44	63	44	40	0				
2.50	326	316	141	138	302	133	252	239	105	100	81	74	60	53	95	74	71	55	51	68	51	48	0				
3.00	335	326	136	133	312	129	268	256	105	101	84	78	66	59	96	78	75	61	57	72	57	54	0				
4.00	348	341	130	127	326	124	290	280	106	103	89	84	74	68	98	83	81	69	66	78	66	62	0				
5.00	357	351	126	125	336	122	305	296	106	104	92	88	79	74	100	87	85	75	72	82	71	68	0				
10.00	375	372	119	118	357	116	339	334	108	106	100	97	92	89	103	96	95	88	86	92	85	82	0				
20.00	385	384	115	114	369	113	359	356	108	107	104	102	99	97	105	100	100	96	95	97	93	91	0				

## Pared

K	8873	8773	8871	8771	7773	7771	7753	7553	7751	7551	7731	7331	7711	7111	5551	5531	5331	5511	5111	3331	3311	1111	0000
0.60	452	441	391	383	434	379	342	335	306	301	256	252	221	219	298	253	251	219	219	250	219	218	198
0.80	498	486	415	408	477	402	388	379	336	330	288	283	252	249	326	283	281	250	249	279	249	248	224
1.00	525	513	423	416	502	410	419	409	351	345	306	301	272	268	340	300	298	269	267	296	267	266	238
1.25	546	535	424	419	521	412	445	434	360	355	320	314	287	283	348	313	311	284	282	308	281	279	249
1.50	560	550	423	418	534	411	464	453	365	361	329	323	299	294	354	321	319	295	292	316	291	289	255
2.00	568	559	408	404	541	398	481	471	361	357	331	326	305	301	349	323	321	300	298	316	296	292	255
2.50	573	565	397	394	544	387	493	483	357	354	331	327	309	304	345	323	321	303	301	315	298	293	254
3.00	574	567	387	384	545	377	500	490	352	349	330	325	310	305	340	320	319	303	301	313	297	292	250
4.00	584	578	381	380	554	373	517	508	353	350	335	331	319	314	340	325	323	311	308	316	304	298	253
5.00	594	588	382	380	563	374	532	524	357	355	342	338	328	324	345	331	330	319	317	322	311	304	258
10.00	629	626	396	395	597	389	578	573	379	378	370	368	361	358	367	358	358	351	349	348	341	333	282
20.00	661	659	417	416	629	410	618	615	404	404	399	398	394	392	392	387	386	382	381	376	372	362	309

## P.Trab.

K	8873	8773	8871	8771	7773	7771	7753	7553	7751	7551	7731	7331	7711	7111	5551	5531	5331	5511	5111	3331	3311	1111	0000
0.60	620	608	579	570	600	564	488	480	470	464	406	402	360	358	460	402	400	359	358	399	358	357	341
0.80	738	724	679	670	712	663	602	592	574	568	511	505	463	460	562	505	503	461	460	500	459	458	441
1.00	827	812	753	745	797	736	693	681	655	648	595	588	548	544	640	587	584	545	543	581	542	540	524
1.25	908	894	819	811	875	801	779	766	729	723	674	667	629	624	713	664	661	625	622	657	621	618	602
1.50	967	953	864	857	932	846	842	829	782	776	731	724	689	683	765	720	717	683	680	711	678	674	659
2.00	1000	1000	925	920	1000	909	936	922	858	852	815	808	779	773	839	802	800	771	768	792	764	758	745
2.50	1000	1000	961	957	1000	946	995	982	903	898	867	860	836	829	884	853	850	826	822	841	817	810	797
3.00	1000	1000	985	982	1000	970	1000	1000	934	930	903	896	875	868	914	887	885	864	860	874	854	845	833
4.00	1000	1000	1000	1000	1000	997	1000	1000	969	965	944	938	921	914	948	927	925	907	904	912	895	885	874
5.00	1000	1000	1000	1000	1000	1000	1000	1000	989	986	968	963	948	942	968	950	948	933	930	934	920	908	897
10.00	1000	1000	1000	1000	1000	1000	1000	1000	1000	1000	1000	1000	1000	1000	1000	997	996	987	985	978	970	954	944
20.00	1000	1000	1000	1000	1000	1000	1000	1000	1000	1000	1000	1000	1000	1000	1000	1000	1000	1000	1000	1000	998	979	969

LM53 SHR C0-C180: 1.238 SHR C90-C270: 1.238 SHR Superficial: 1.358



# LEDS C4<sup>+</sup>

## Luminaria

Código 00-5978-60-60V1  
Nombre CHERRY

## Ensayo

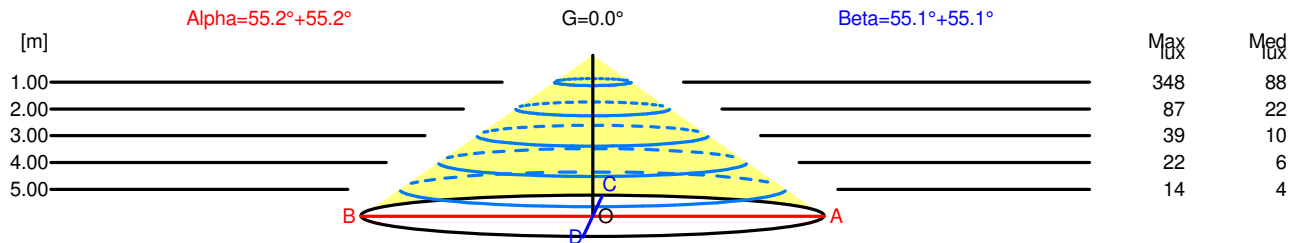
Código 00-5978-60-60V1  
Nombre CHERRY

Flujo Luminaria	858.71 lm	Potencia luminaria	10.21 W	Eficacia	84.10 lm/W	Eficiencia	100.00%
Flujo de Lámpara	858.71 lm	Valor Máximo	405.53 cd/klm	Posición	C=0.00 G=0.00	CG	Bisimétrico

### Apertura a 50.00 % de Max Intensidad

H[m]	1.00	2.00	3.00	4.00	5.00	H[m]	1.00	2.00	3.00	4.00	5.00
OA	1.44	2.88	4.32	5.76	7.20	OC	1.44	2.87	4.31	5.74	7.18
OB	1.44	2.88	4.32	5.76	7.20	OD	1.44	2.87	4.31	5.74	7.18

	Intensidades Luminosas [ cd/klm]									
	0	5	15	25	35	45	55	65	75	85
OA	348.23	346.40	333.20	307.53	271.00	226.39	175.16	88.39	3.01	1.21
OB	348.23	346.40	333.20	307.53	271.00	226.39	175.16	88.39	3.01	1.21
OC	348.23	346.50	333.17	307.42	271.01	225.87	174.82	85.04	2.68	1.28
OD	348.23	346.50	333.17	307.42	271.01	225.87	174.82	85.04	2.68	1.28



H[m]	D[m]	Max lux	Med lux	Alpha=55.2°+55.2°	G=0.0
1.00	2.88	348	88		
2.00	5.76	87	22		
3.00	8.64	39	10		
4.00	11.52	22	6		
5.00	14.39	14	4		

H[m]	D[m]	Max lux	Med lux	Beta=55.1°+55.1°	G=0.0
1.00	2.87	348	88		
2.00	5.74	87	22		
3.00	8.61	39	10		
4.00	11.48	22	6		
5.00	14.35	14	4		

# LEDS C4<sup>®</sup>

**Luminaria**

Código 00-5978-60-60V1

Nombre CHERRY

**Ensayo**

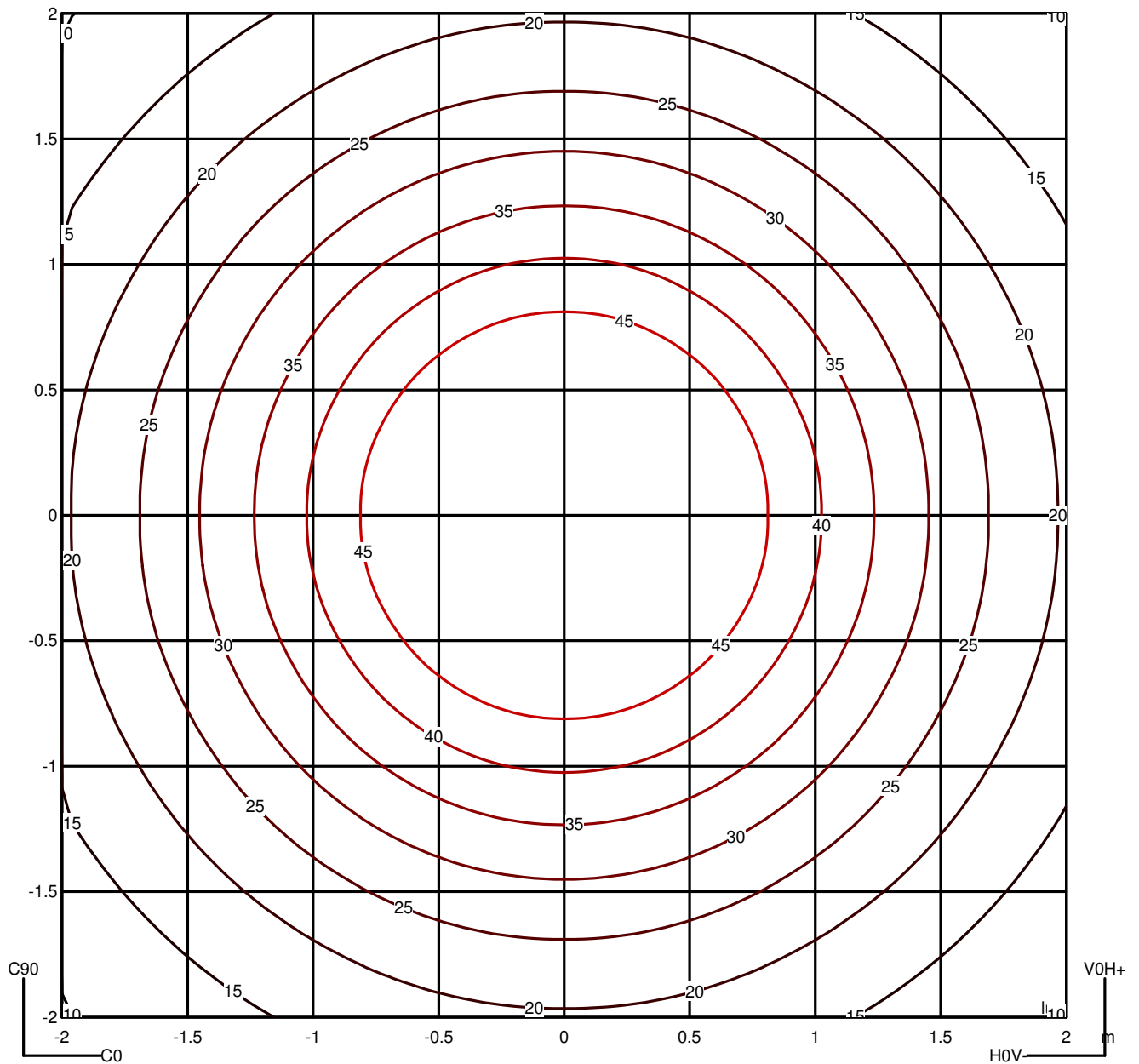
Código 00-5978-60-60V1

Nombre CHERRY

Flujo Luminaria	858.71 lm	Potencia luminaria	10.21 W	Eficacia	84.10 lm/W	Eficiencia	100.00%
Flujo de Lámpara	858.71 lm	Valor Máximo	405.53 cd/klm	Posición	C=0.00 G=0.00	CG	Bisimétrico

Isolux (Suelo)

Posición Luminaria X=0.00m Y=0.00m Z=2.50m



# LEDS C4<sup>®</sup>

**Luminaria**

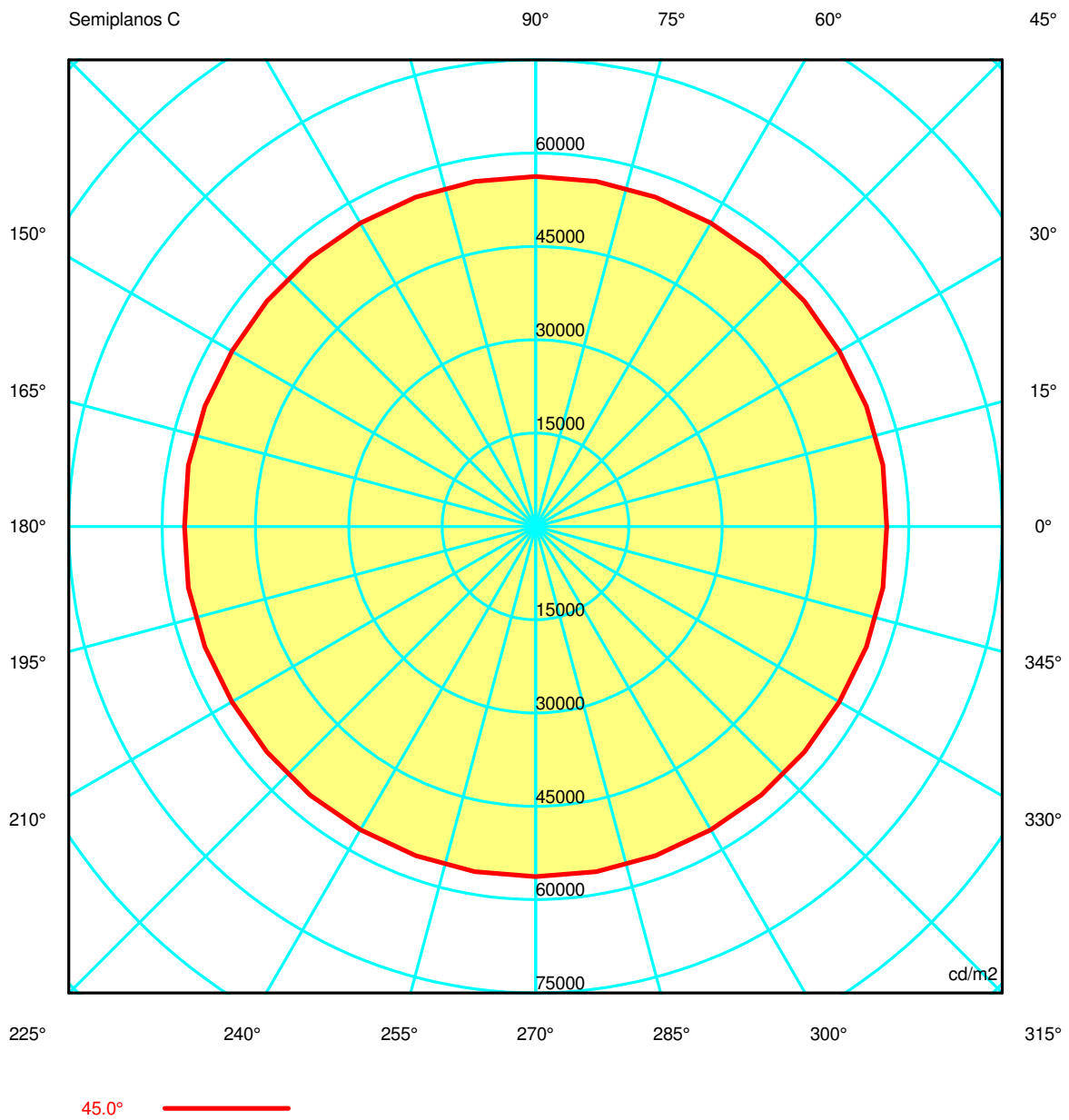
Código 00-5978-60-60V1  
Nombre CHERRY

**Ensayo**

Código 00-5978-60-60V1  
Nombre CHERRY

Flujo Luminaria	858.71 lm	Potencia luminaria	10.21 W	Eficacia	84.10 lm/W	Eficiencia	100.00%
Flujo de Lámpara	858.71 lm	Valor Máximo	405.53 cd/klm	Posición	C=0.00 G=0.00	CG	Bisimétrico

Luminancia



**Luminaria**

Código 00-5978-60-60V1

Nombre CHERRY

**Ensayo**

Código 00-5978-60-60V1

Nombre CHERRY

Flujo Luminaria	858.71 lm	Potencia luminaria	10.21 W	Eficacia	84.10 lm/W	Eficiencia	100.00%
Flujo de Lámpara	858.71 lm	Valor Máximo	405.53 cd/klm	Posición	C=0.00 G=0.00	CG	Bisimétrico

**Luminance cd/m2 Tabla 1/3**

	C 0.00	C 10.00	C 20.00	C 30.00	C 40.00	C 50.00	C 60.00	C 70.00	C 80.00	C 90.00	C 100.00	C 110.00	C 120.00
G 0.0	61368.07	61368.07	61368.07	61368.07	61368.07	61368.07	61368.07	61368.07	61368.07	61368.07	61368.07	61368.07	61368.07
G 5.0	61278.78	61312.80	61312.70	61296.12	61310.04	61316.50	61309.13	61319.50	61318.78	61295.71	61318.78	61319.50	61309.13
G 10.0	61114.85	61153.85	61147.04	61112.59	61114.58	61117.79	61115.87	61111.95	61104.77	61094.18	61104.77	61111.95	61115.87
G 15.0	60790.69	60856.59	60848.72	60803.92	60822.38	60825.19	60801.22	60820.19	60823.15	60784.41	60823.15	60820.19	60801.22
G 20.0	60358.54	60424.62	60413.47	60359.70	60365.88	60367.90	60348.91	60360.55	60369.31	60357.42	60369.31	60360.55	60348.91
G 25.0	59797.36	59850.87	59837.55	59789.00	59794.85	59791.56	59768.20	59781.28	59791.14	59777.13	59791.14	59781.28	59768.20
G 30.0	59102.02	59208.52	59192.35	59103.52	59111.40	59116.69	59099.57	59087.12	59077.17	59064.68	59077.17	59087.12	59099.57
G 35.0	58301.38	58423.89	58375.02	58251.67	58301.50	58325.63	58279.71	58321.55	58346.62	58302.38	58346.62	58321.55	58279.71
G 40.0	57385.43	57555.78	57542.92	57412.35	57400.85	57381.97	57357.45	57401.38	57396.68	57302.82	57396.68	57401.38	57357.45
G 45.0	56422.65	56652.56	56578.64	56342.93	56376.23	56383.98	56317.43	56327.02	56328.41	56293.01	56328.41	56327.02	56317.43
G 50.0	55194.12	55271.47	55217.43	55102.69	55128.26	55139.26	55135.69	55158.79	55149.51	55084.88	55149.51	55158.79	55135.69
G 55.0	53815.18	54150.02	54071.10	53742.31	53737.17	53737.43	53723.53	53785.17	53796.99	53711.58	53796.99	53785.17	53723.53
G 60.0	51484.00	51344.81	50958.99	50510.12	50935.88	50805.33	50311.62	51020.00	51261.10	50349.93	51261.10	51020.00	50311.62
G 65.0	36856.06	37852.45	37010.38	35356.87	35538.54	35480.07	35019.77	36079.25	36514.94	35461.49	36514.94	36079.25	35019.77
G 70.0	9671.70	9513.14	9338.74	8843.57	7895.78	8092.81	9041.34	8772.33	8651.38	9376.73	8651.38	8772.33	9041.34
G 75.0	2046.34	1839.64	1814.47	1880.65	1796.25	1772.95	1817.07	1720.62	1694.95	1823.89	1694.95	1720.62	1817.07
G 80.0	2005.36	2067.52	2061.72	2020.69	2036.62	2044.86	2023.23	2020.35	2017.31	2014.10	2017.31	2020.35	2023.23
G 85.0	2446.05	2556.16	2577.16	2532.64	2530.56	2569.02	2586.28	2531.93	2520.64	2590.58	2520.64	2531.93	2586.28
G 90.0	0.00	0.00	0.00	0.00	0.00	0.00	0.00	0.00	0.00	0.00	0.00	0.00	0.00

**Luminaria**

Código 00-5978-60-60V1

Nombre CHERRY

**Ensayo**

Código 00-5978-60-60V1

Nombre CHERRY

Flujo Luminaria	858.71 lm	Potencia luminaria	10.21 W	Eficacia	84.10 lm/W	Eficiencia	100.00%
Flujo de Lámpara	858.71 lm	Valor Máximo	405.53 cd/klm	Posición	C=0.00 G=0.00	CG	Bisimétrico

**Luminance cd/m2 Tabla 2/3**

	C 130.00	C 140.00	C 150.00	C 160.00	C 170.00	C 180.00	C 190.00	C 200.00	C 210.00	C 220.00	C 230.00	C 240.00	C 250.00
G 0.0	61368.07	61368.07	61368.07	61368.07	61368.07	61368.07	61368.07	61368.07	61368.07	61368.07	61368.07	61368.07	61368.07
G 5.0	61316.50	61310.04	61296.12	61312.70	61312.80	61278.78	61312.80	61312.70	61296.12	61310.04	61316.50	61309.13	61319.50
G 10.0	61117.79	61114.58	61112.59	61147.04	61153.85	61114.85	61153.85	61147.04	61112.59	61114.58	61117.79	61115.87	61111.95
G 15.0	60825.19	60822.38	60803.92	60848.72	60856.59	60790.69	60856.59	60848.72	60803.92	60822.38	60825.19	60801.22	60820.19
G 20.0	60367.90	60365.88	60359.70	60413.47	60424.62	60358.54	60424.62	60413.47	60359.70	60365.88	60367.90	60348.91	60360.55
G 25.0	59791.56	59794.85	59789.00	59837.55	59850.87	59797.36	59850.87	59837.55	59789.00	59794.85	59791.56	59768.20	59781.28
G 30.0	59116.69	59111.40	59103.52	59192.35	59208.52	59102.02	59208.52	59192.35	59103.52	59111.40	59116.69	59099.57	59087.12
G 35.0	58325.63	58301.50	58251.67	58375.02	58423.89	58301.38	58423.89	58375.02	58251.67	58301.50	58325.63	58279.71	58321.55
G 40.0	57381.97	57400.85	57412.35	57542.92	57555.78	57385.43	57555.78	57542.92	57412.35	57400.85	57381.97	57357.45	57401.38
G 45.0	56383.98	56376.23	56342.93	56578.64	56652.56	56422.65	56652.56	56578.64	56342.93	56376.23	56383.98	56317.43	56327.02
G 50.0	55139.26	55128.26	55102.69	55217.43	55271.47	55194.12	55271.47	55217.43	55102.69	55128.26	55139.26	55135.69	55158.79
G 55.0	53737.43	53737.17	53742.31	54071.10	54150.02	53815.18	54150.02	54071.10	53742.31	53737.17	53737.43	53723.53	53785.17
G 60.0	50805.33	50935.88	50510.12	50958.99	51344.81	51484.00	51344.81	50958.99	50510.12	50935.88	50805.33	50311.62	51020.00
G 65.0	35480.07	35538.54	35356.87	37010.38	37852.45	36856.06	37852.45	37010.38	35356.87	35538.54	35480.07	35019.77	36079.25
G 70.0	8092.81	7895.78	8843.57	9338.74	9513.14	9671.70	9513.14	9338.74	8843.57	7895.78	8092.81	9041.34	8772.33
G 75.0	1772.95	1796.25	1880.65	1814.47	1839.64	2046.34	1839.64	1814.47	1880.65	1796.25	1772.95	1817.07	1720.62
G 80.0	2044.86	2036.62	2020.69	2061.72	2067.52	2005.36	2067.52	2061.72	2020.69	2036.62	2044.86	2023.23	2020.35
G 85.0	2569.02	2530.56	2532.64	2577.16	2556.16	2446.05	2556.16	2577.16	2532.64	2530.56	2569.02	2586.28	2531.93
G 90.0	0.00	0.00	0.00	0.00	0.00	0.00	0.00	0.00	0.00	0.00	0.00	0.00	0.00

**Luminaria**

Código 00-5978-60-60V1

Nombre CHERRY

**Ensayo**

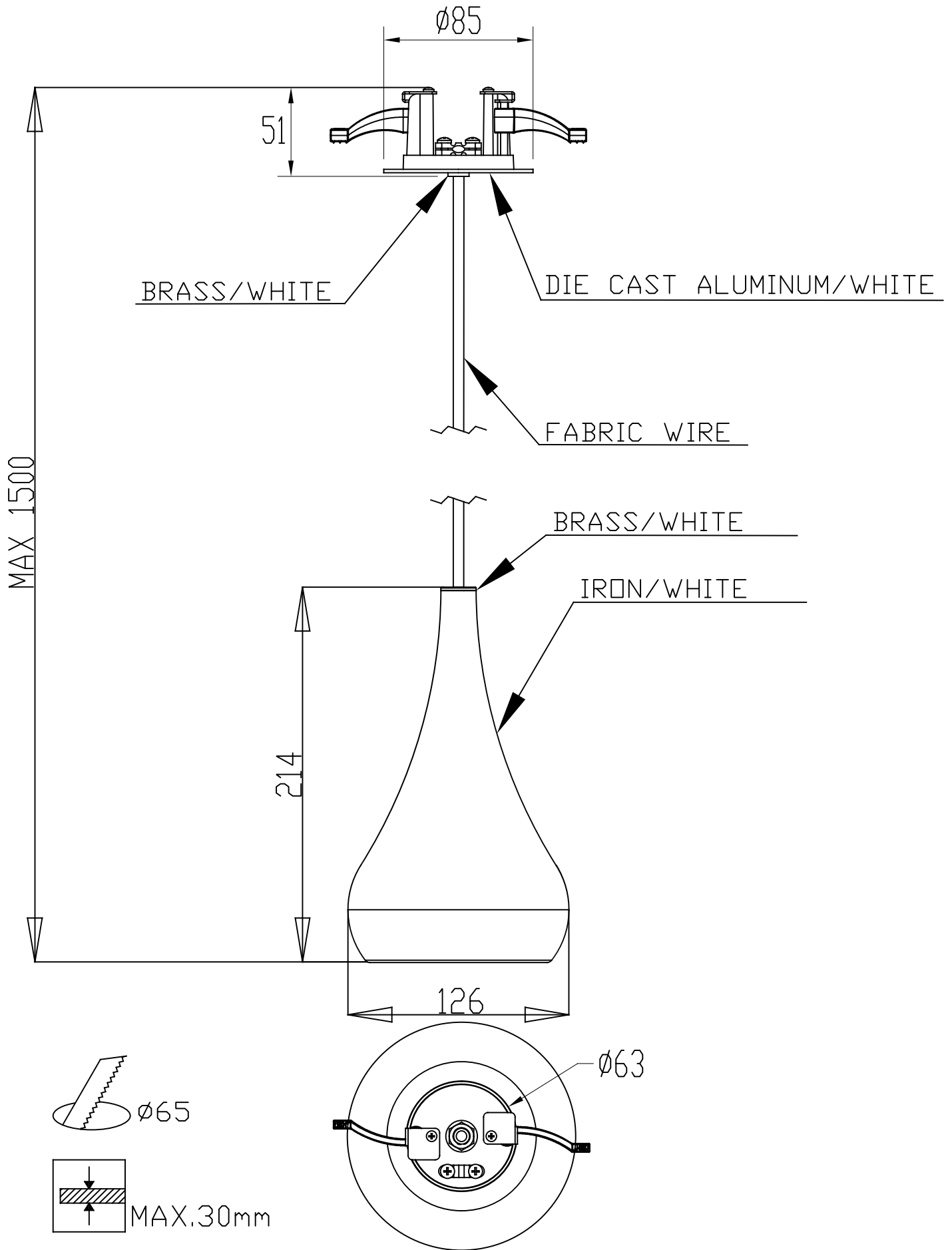
Código 00-5978-60-60V1

Nombre CHERRY

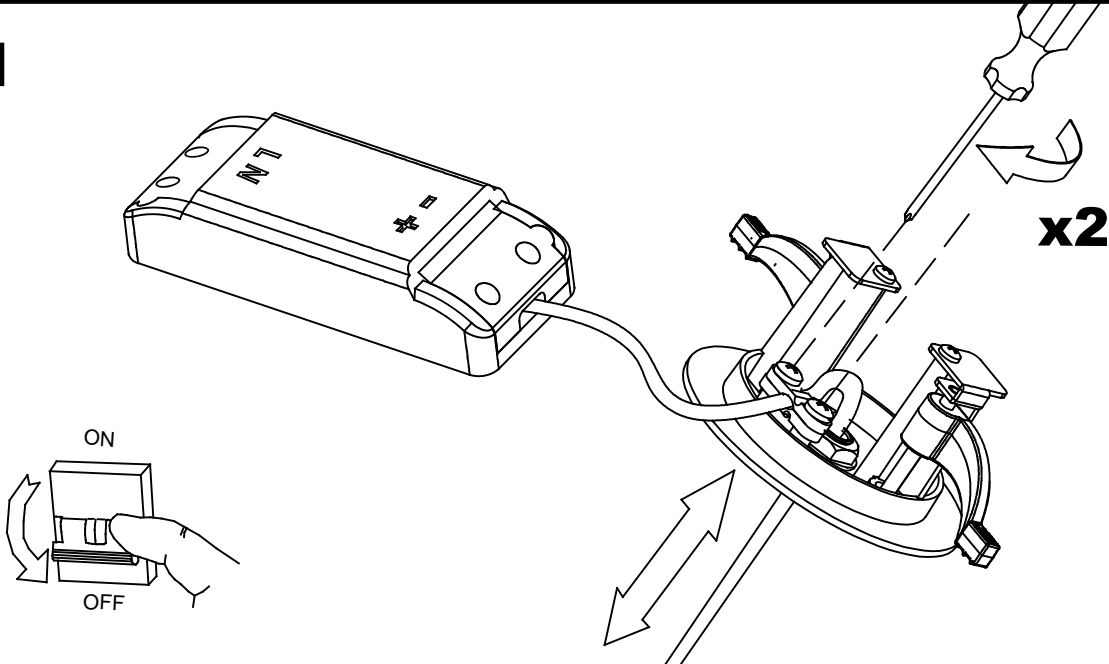
Flujo Luminaria	858.71 lm	Potencia luminaria	10.21 W	Eficacia	84.10 lm/W	Eficiencia	100.00%
Flujo de Lámpara	858.71 lm	Valor Máximo	405.53 cd/klm	Posición	C=0.00 G=0.00	CG	Bisimétrico

**Luminance cd/m2 Tabla 3/3**

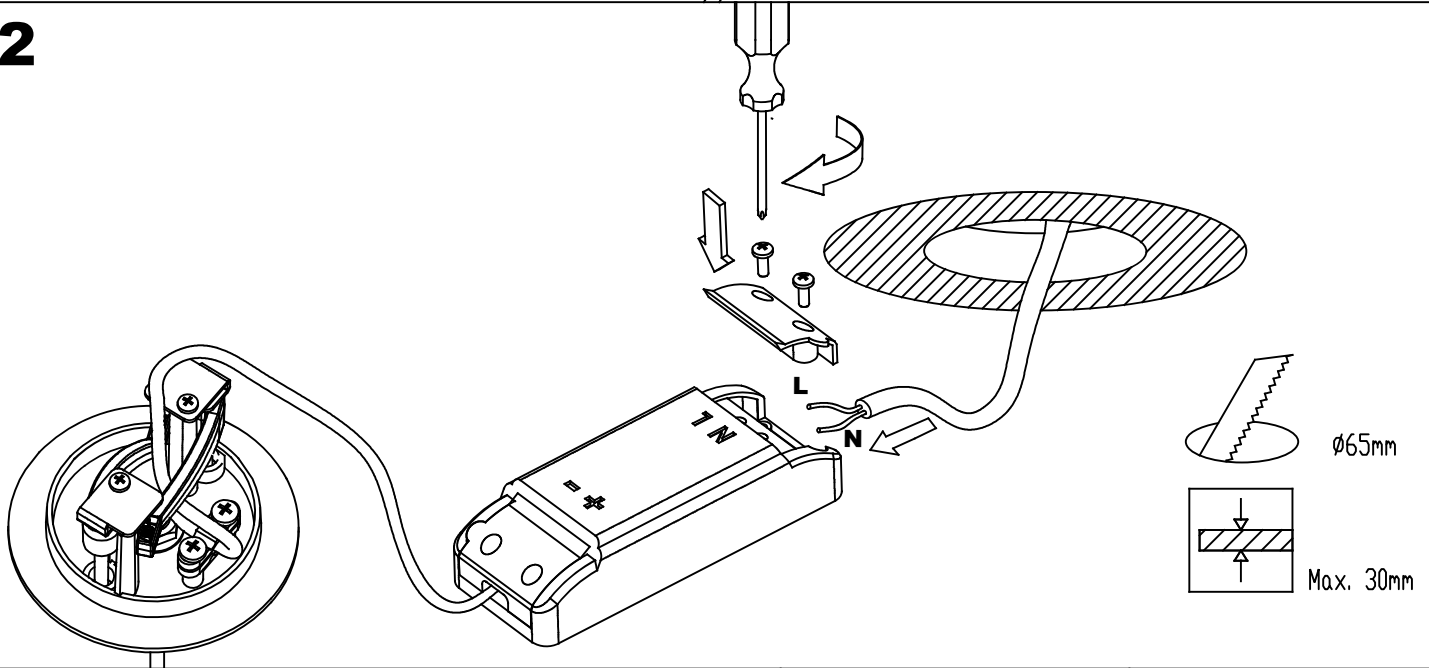
	C 260.00	C 270.00	C 280.00	C 290.00	C 300.00	C 310.00	C 320.00	C 330.00	C 340.00	C 350.00
G 0.0	61368.07	61368.07	61368.07	61368.07	61368.07	61368.07	61368.07	61368.07	61368.07	61368.07
G 5.0	61318.78	61295.71	61318.78	61319.50	61309.13	61316.50	61310.04	61296.12	61312.70	61312.80
G 10.0	61104.77	61094.18	61104.77	61111.95	61115.87	61117.79	61114.58	61112.59	61147.04	61153.85
G 15.0	60823.15	60784.41	60823.15	60820.19	60801.22	60825.19	60822.38	60803.92	60848.72	60856.59
G 20.0	60369.31	60357.42	60369.31	60360.55	60348.91	60367.90	60365.88	60359.70	60413.47	60424.62
G 25.0	59791.14	59777.13	59791.14	59781.28	59768.20	59791.56	59794.85	59789.00	59837.55	59850.87
G 30.0	59077.17	59064.68	59077.17	59087.12	59099.57	59116.69	59111.40	59103.52	59192.35	59208.52
G 35.0	58346.62	58302.38	58346.62	58321.55	58279.71	58325.63	58301.50	58251.67	58375.02	58423.89
G 40.0	57396.68	57302.82	57396.68	57401.38	57357.45	57381.97	57400.85	57412.35	57542.92	57555.78
G 45.0	56328.41	56293.01	56328.41	56327.02	56317.43	56383.98	56376.23	56342.93	56578.64	56652.56
G 50.0	55149.51	55084.88	55149.51	55158.79	55135.69	55139.26	55128.26	55102.69	55217.43	55271.47
G 55.0	53796.99	53711.58	53796.99	53785.17	53723.53	53737.43	53737.17	53742.31	54071.10	54150.02
G 60.0	51261.10	50349.93	51261.10	51020.00	50311.62	50805.33	50935.88	50510.12	50958.99	51344.81
G 65.0	36514.94	35461.49	36514.94	36079.25	35019.77	35480.07	35538.54	35356.87	37010.38	37852.45
G 70.0	8651.38	9376.73	8651.38	8772.33	9041.34	8092.81	7895.78	8843.57	9338.74	9513.14
G 75.0	1694.95	1823.89	1694.95	1720.62	1817.07	1772.95	1796.25	1880.65	1814.47	1839.64
G 80.0	2017.31	2014.10	2017.31	2020.35	2023.23	2044.86	2036.62	2020.69	2061.72	2067.52
G 85.0	2520.64	2590.58	2520.64	2531.93	2586.28	2569.02	2530.56	2532.64	2577.16	2556.16
G 90.0	0.00	0.00	0.00	0.00	0.00	0.00	0.00	0.00	0.00	0.00



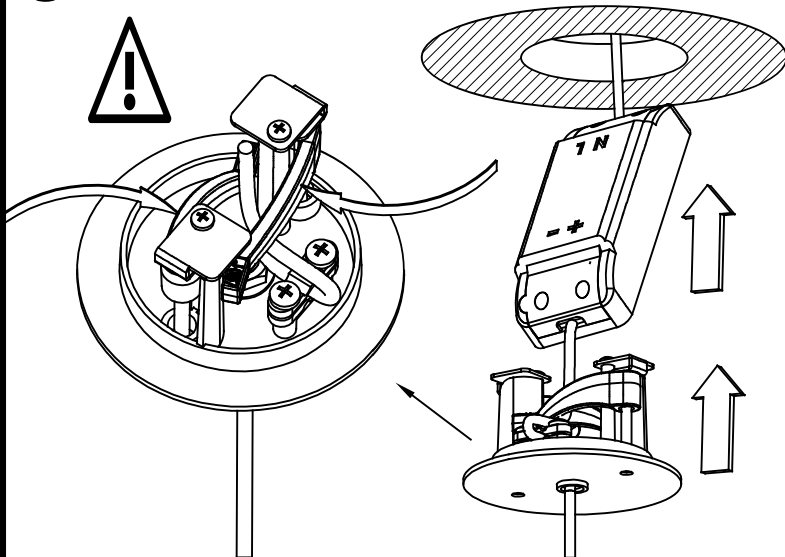
**1**



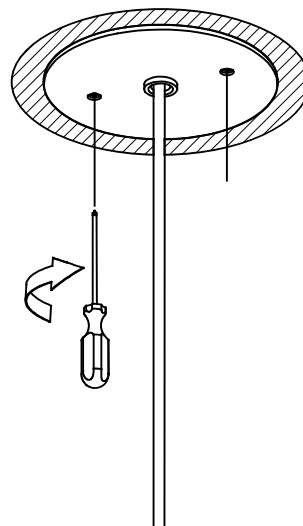
**2**



**3**



**4**



**5**

