



Atom Ø52 Visual Comfort

71-6276-14-00

White Visual comfort

TECHNICAL FEATURES

Structure material : Aluminium

Warranty : 5 Years

Structure finish : White

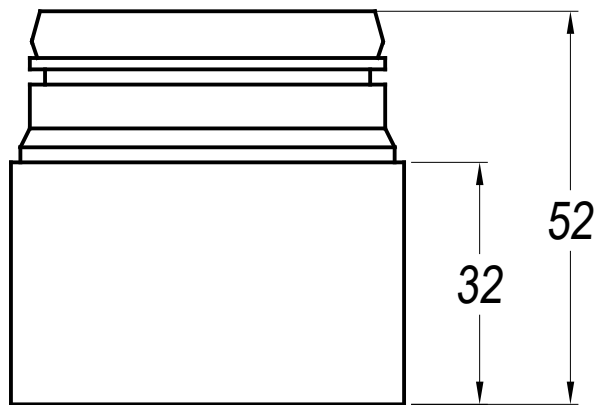
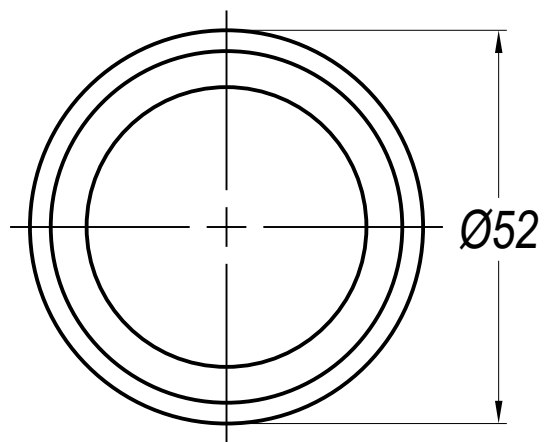
LOGISTICS

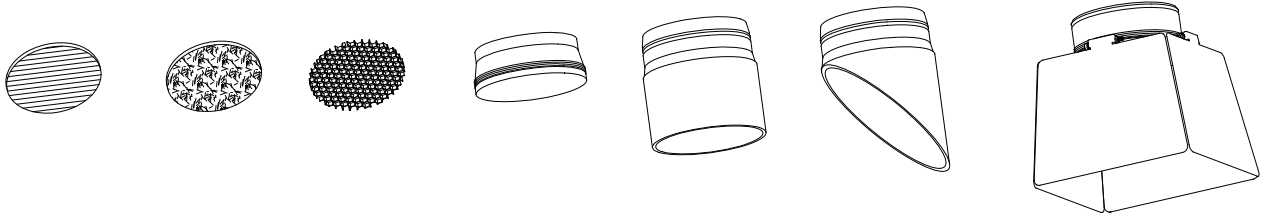
Net weight (kg): 0.06

Packaged weight (kg): 0.09

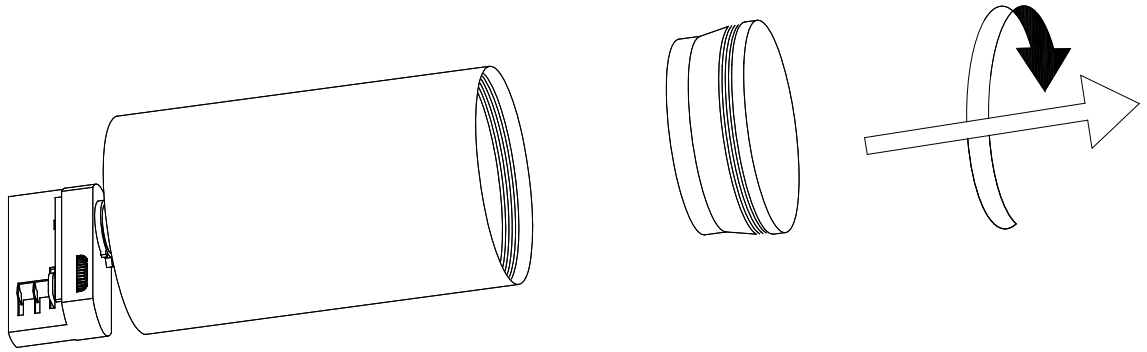
Packaging: 60mm x 60mm x 60mm



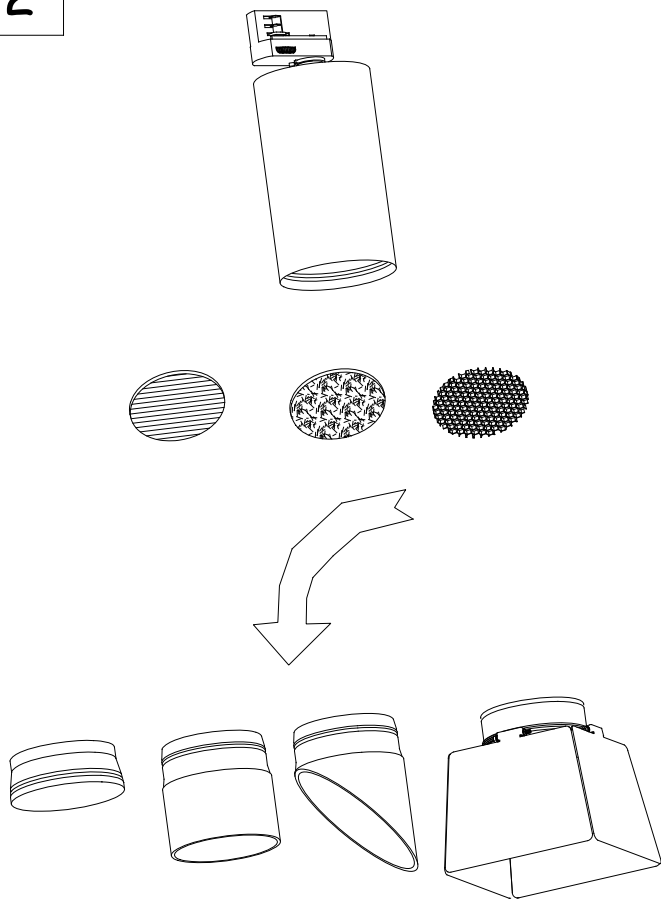




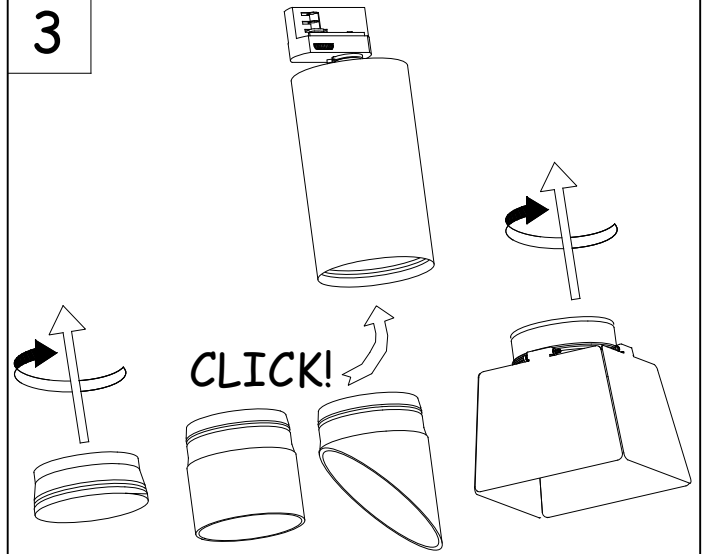
1



2



3



4

