



## Atom Ø97 Visual Comfort

**71-6288-14-00**

White Visual comfort

### TECHNICAL FEATURES

---

Structure material : Aluminium

Warranty : 5 Years

Structure finish : White

### LOGISTICS

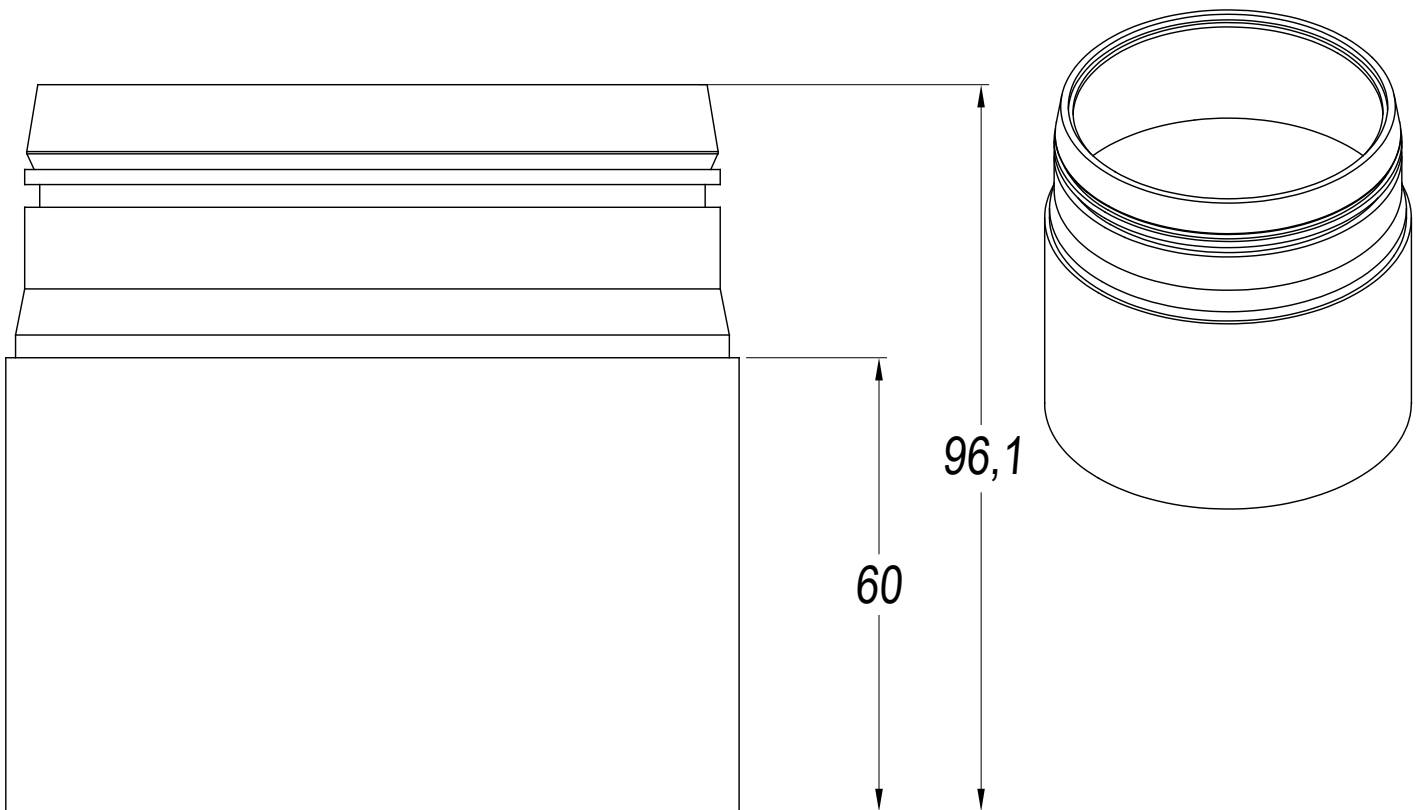
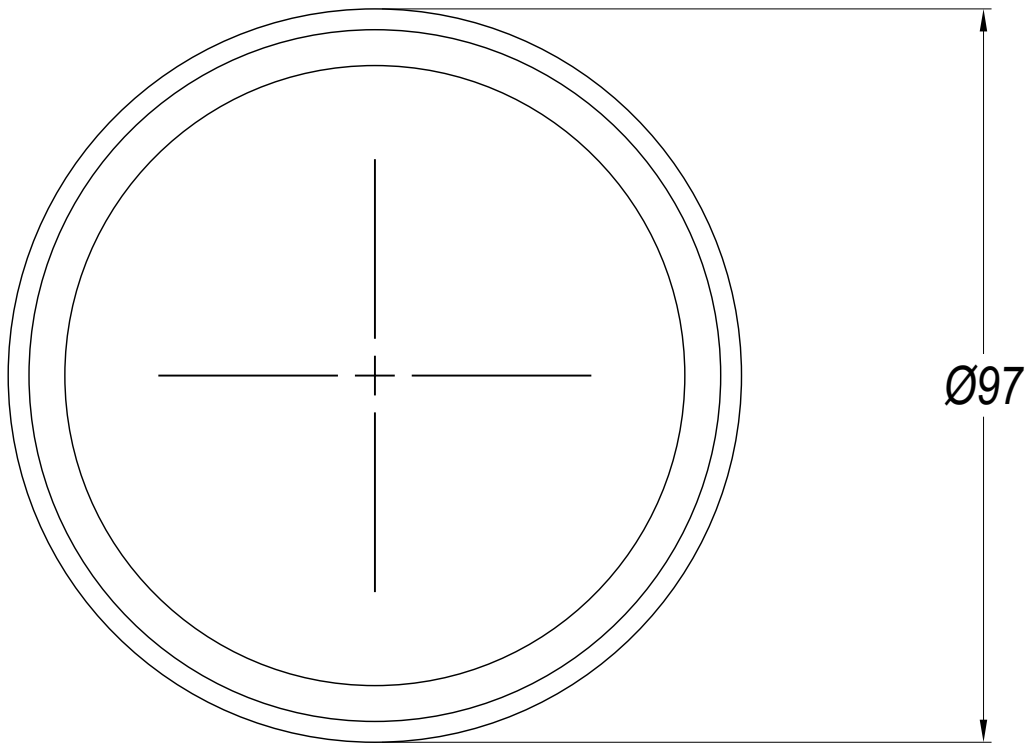
---

Net weight (kg): 0.2

Packaged weight (kg): 0.29

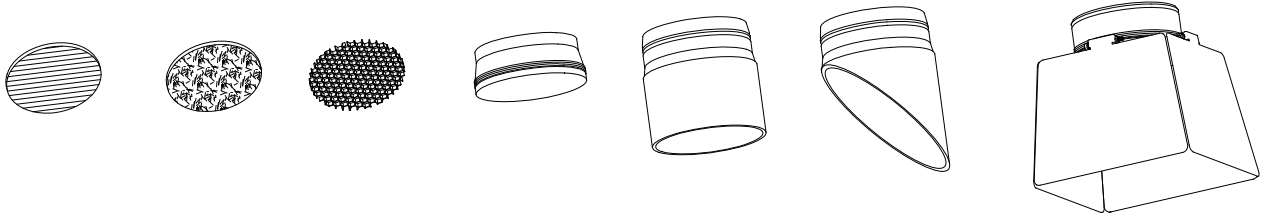
Packaging: 105mm x 105mm x 125mm



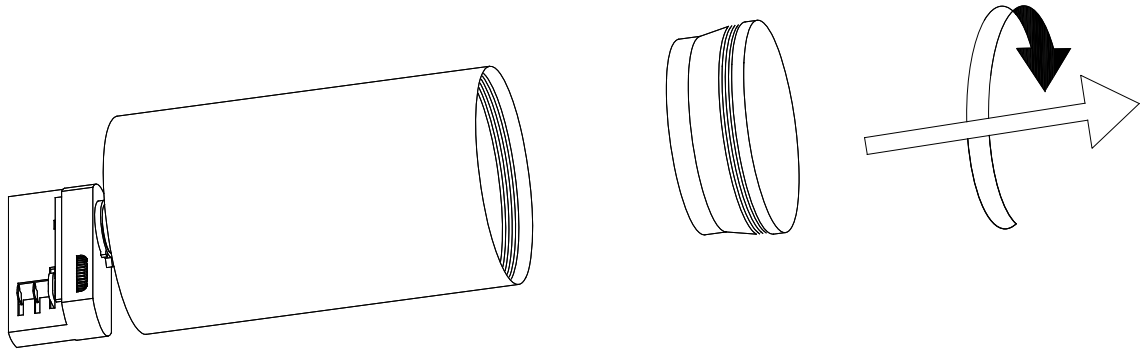


Scale 1:2

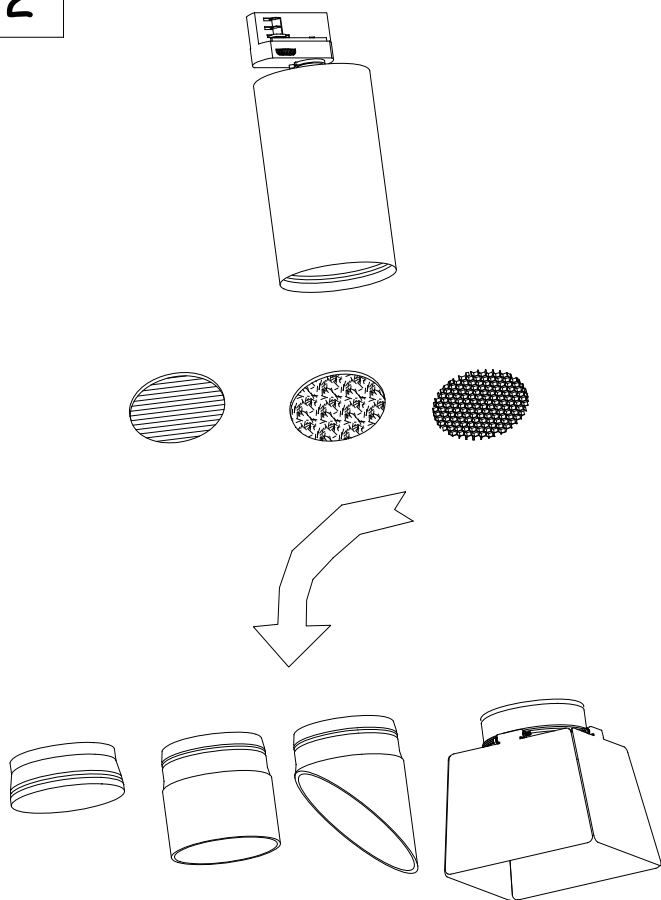
30-10-17



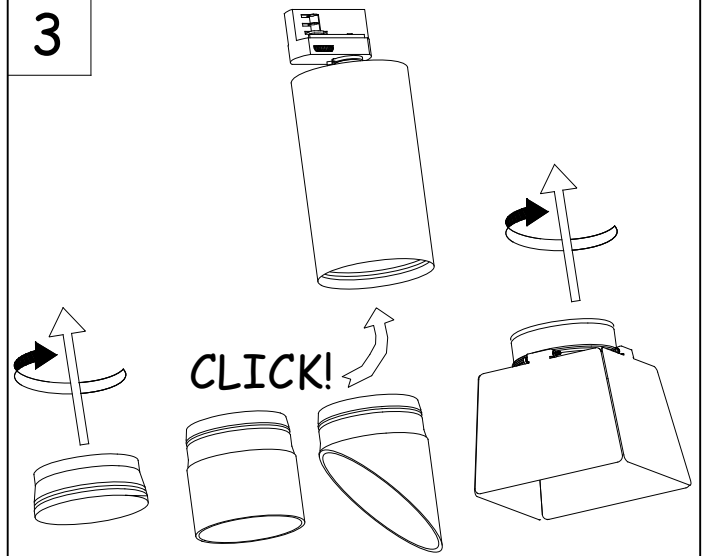
1



2



3



4

