



Atom Ø97 Anti-glare flap

71-6290-14-00

White Anti-glare flaps

TECHNICAL FEATURES

Structure material : Aluminium

Warranty : 5 Years

Structure finish : White

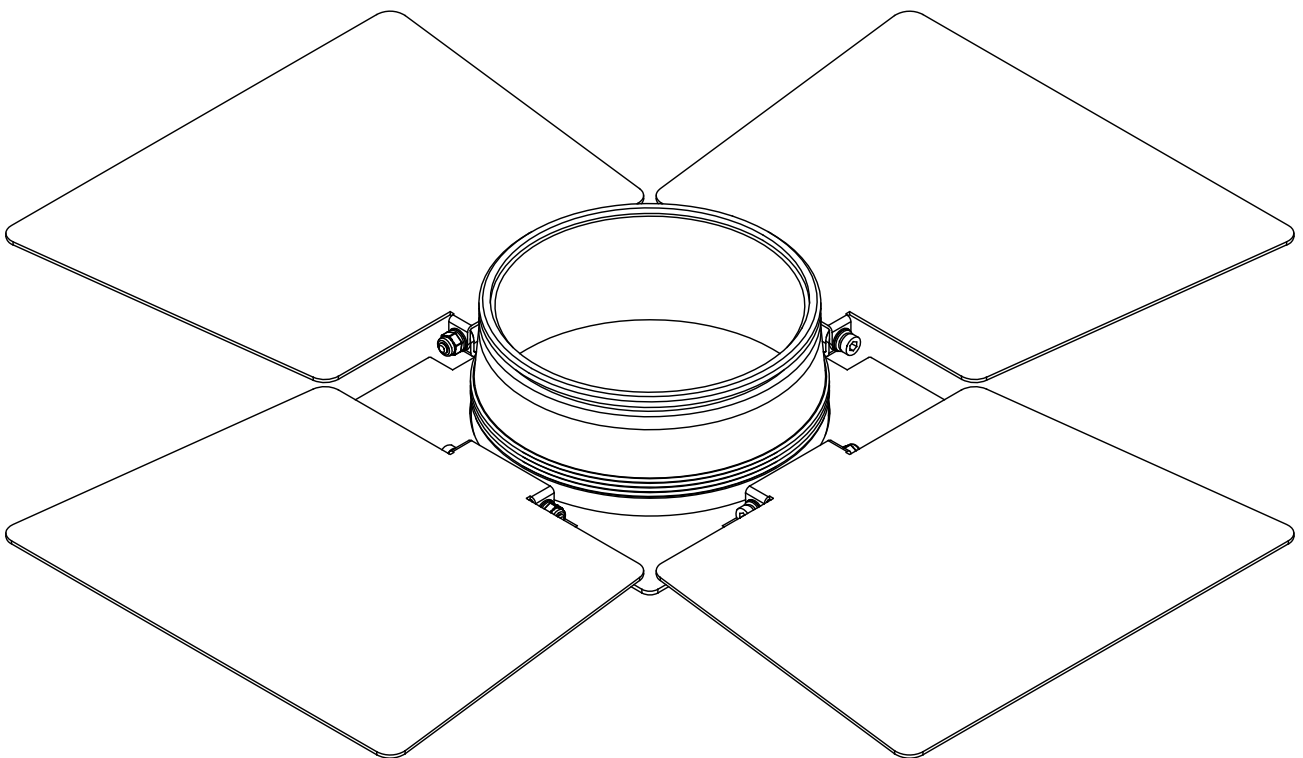
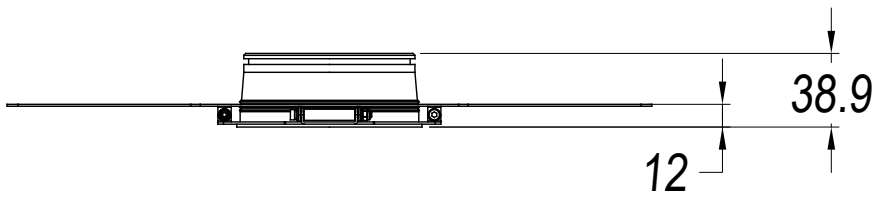
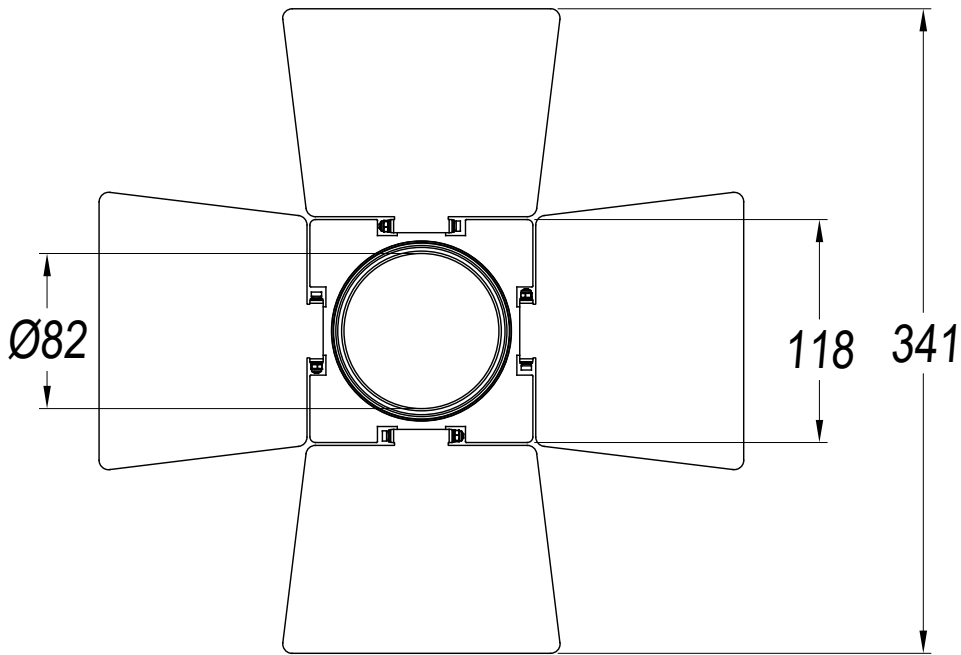
LOGISTICS

Net weight (kg): 0.62

Packaged weight (kg): 0.78

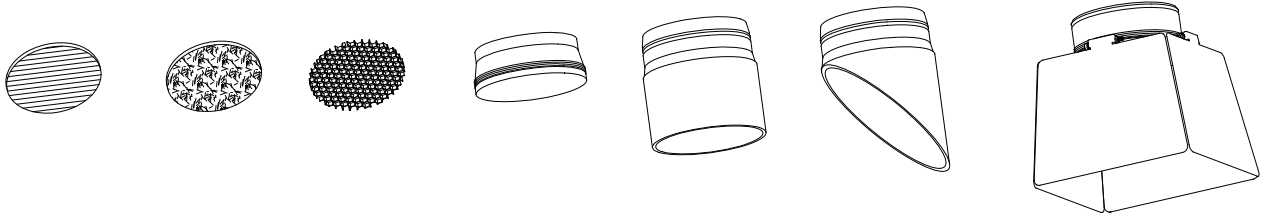
Packaging: 155mm x 155mm x 160mm



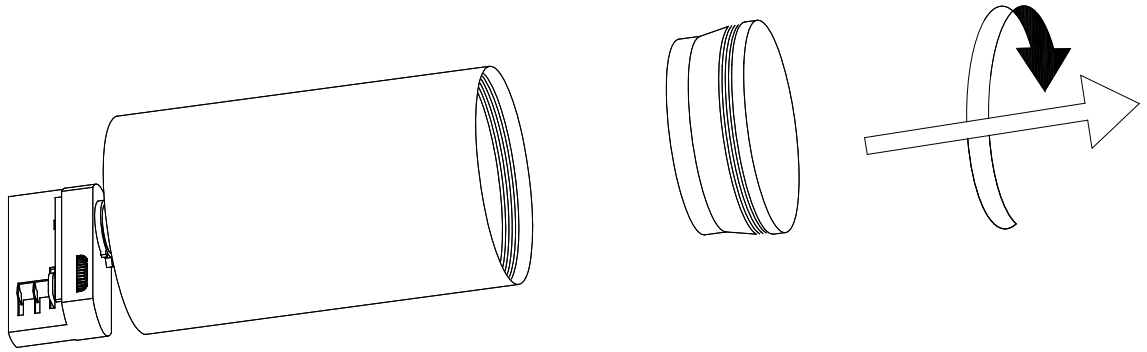


Scale 1:20

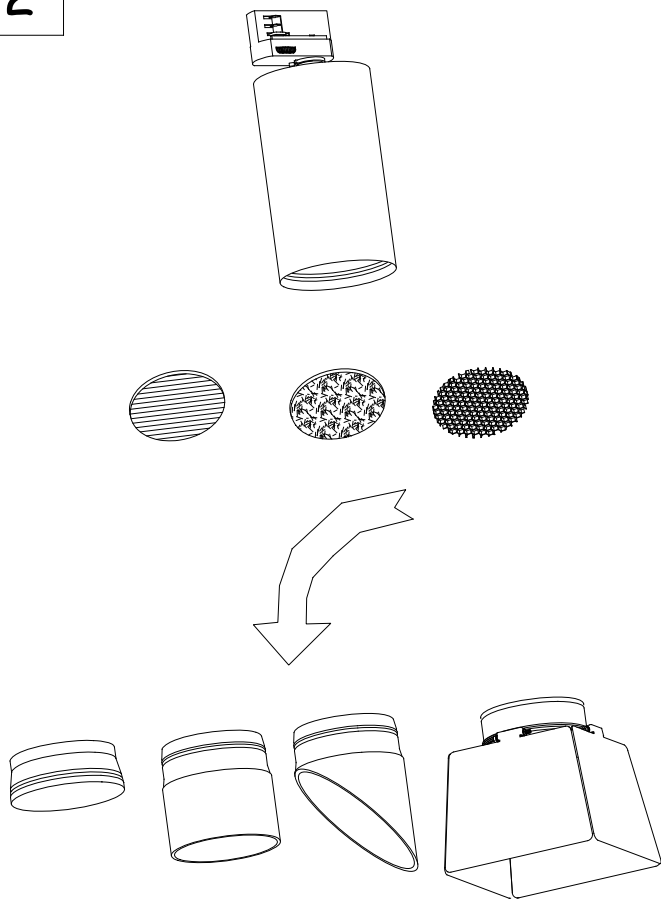
30-10-17



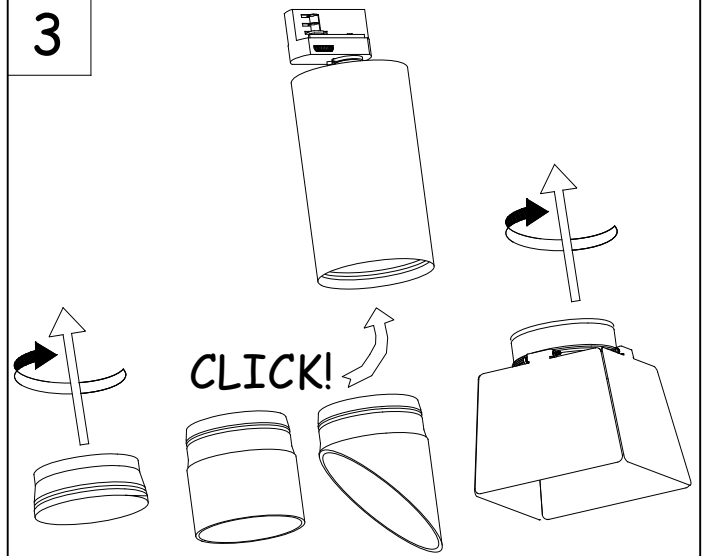
1



2



3



4

