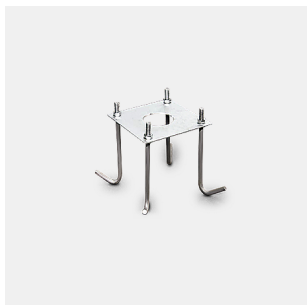




Accessory (PERNOS) 71-E008-48-48

Floor mounting bolts



TECHNICAL FEATURES

Structure material : Steel

Warranty : 2 Years

Structure finish : Galvanised steel

Seaside : Yes

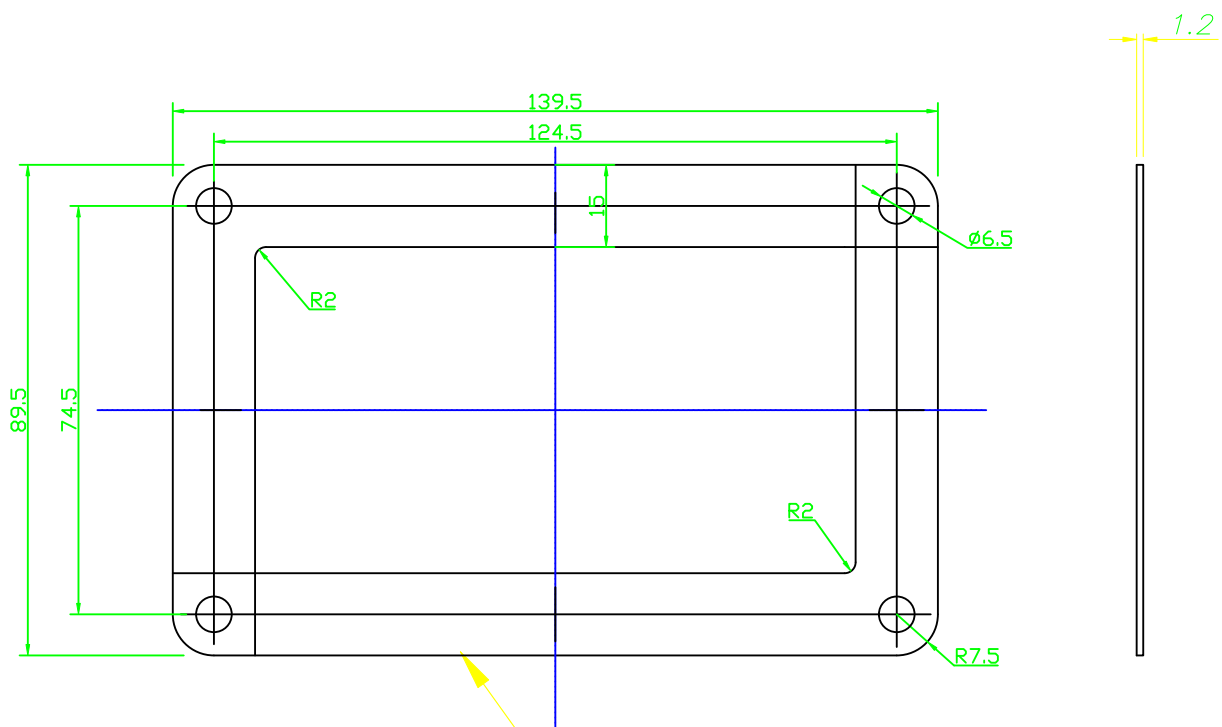
LOGISTICS

Net weight (kg): 0.19

Packaged weight (kg): 0.24

Packaging: 1mm x 1mm



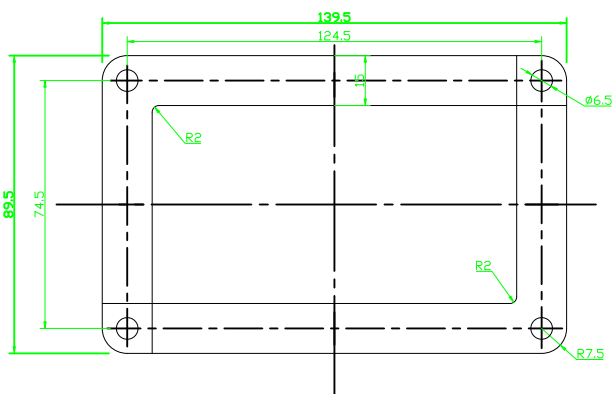


ACERO GALVANIZADO
GALVANIZED STEEL

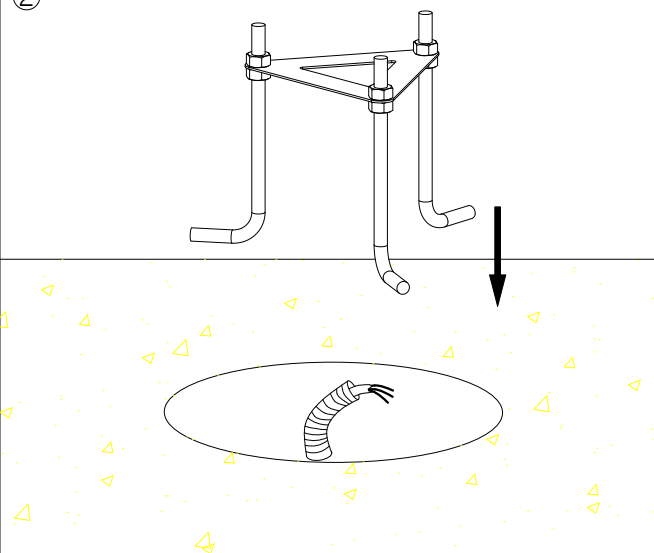
LEDS C4¹

71-E008

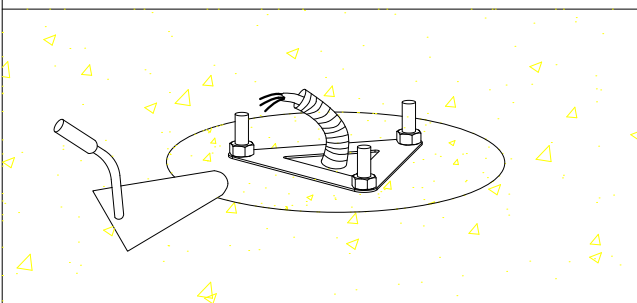
①



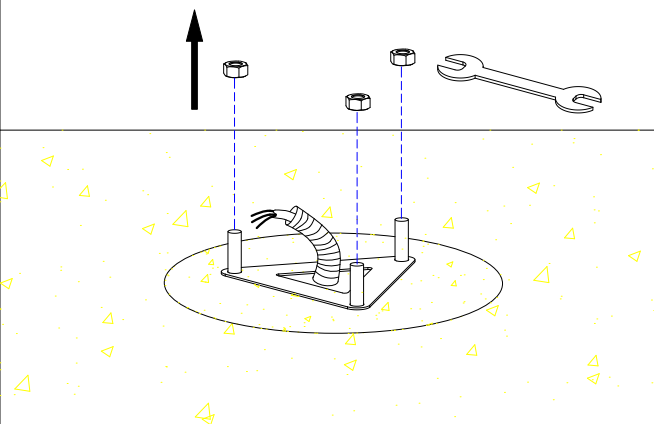
②



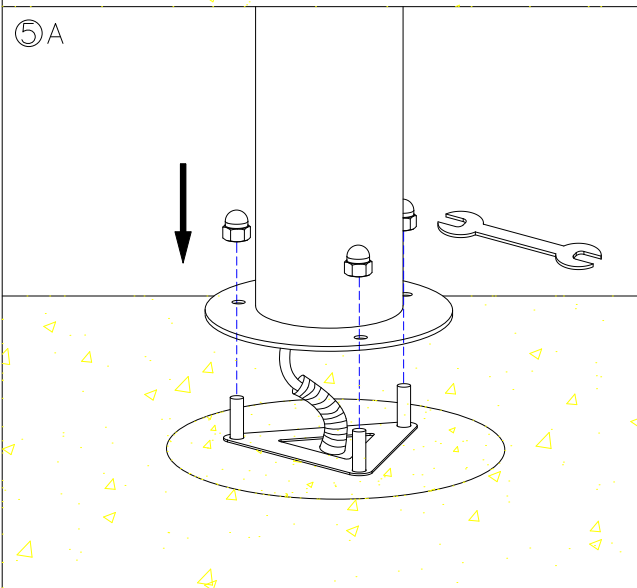
③



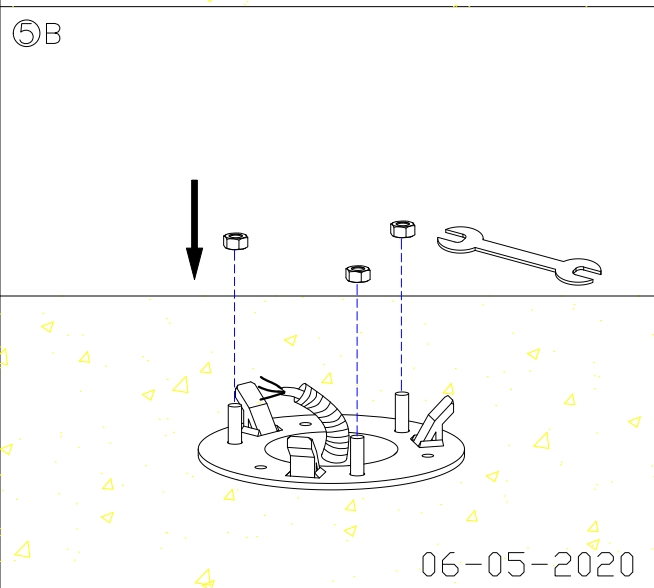
④



⑤A



⑤B



06-05-2020