



## Accessory (PERNOS) 71-E030-48-48

Floor mounting bolts



### TECHNICAL FEATURES

---

Structure material : Steel

Warranty : 2 Years

Structure finish : Galvanised steel

Seaside : Yes

### LOGISTICS

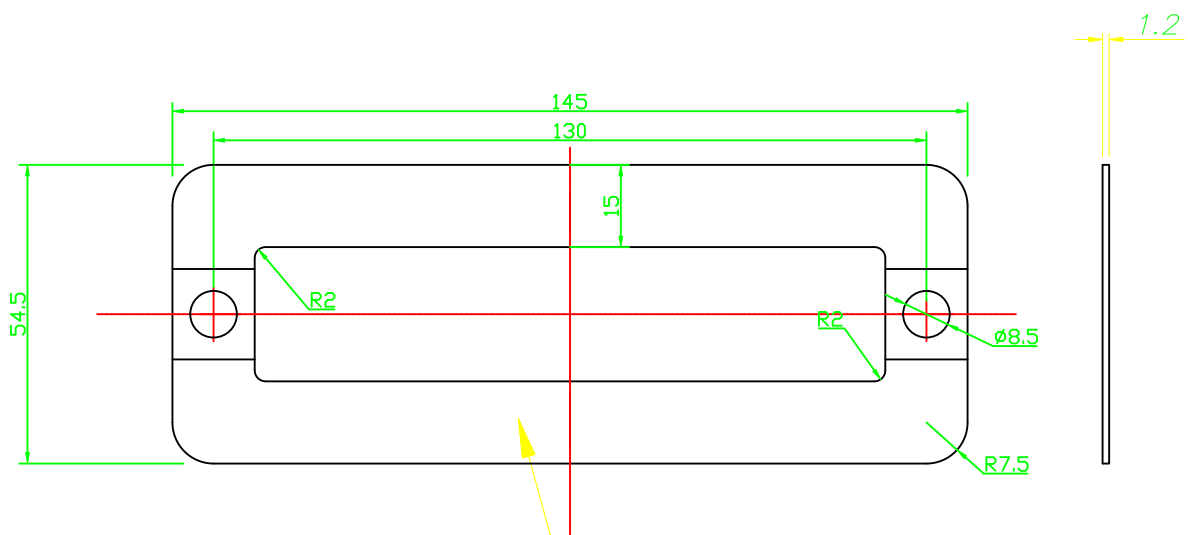
---

Net weight (kg): 0.18

Packaged weight (kg): 0.22

Packaging: 1mm x 1mm



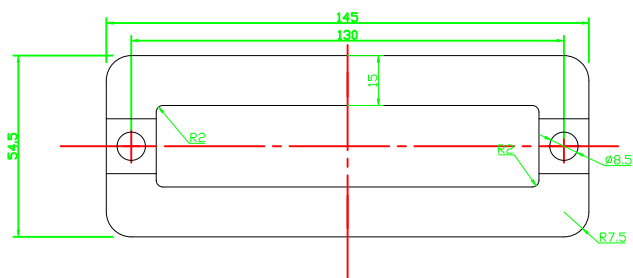


ACERO GALVANIZADO  
GALVANIZED STEEL

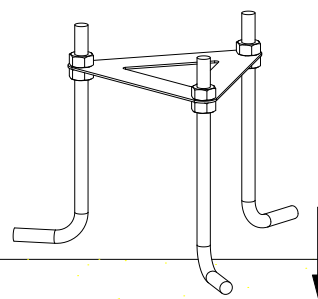
# LEDS C4<sup>+</sup>

71-E030

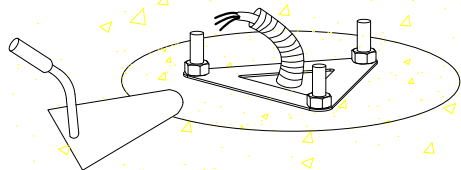
①



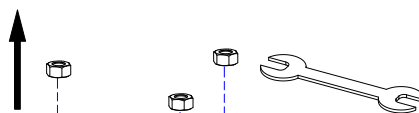
②



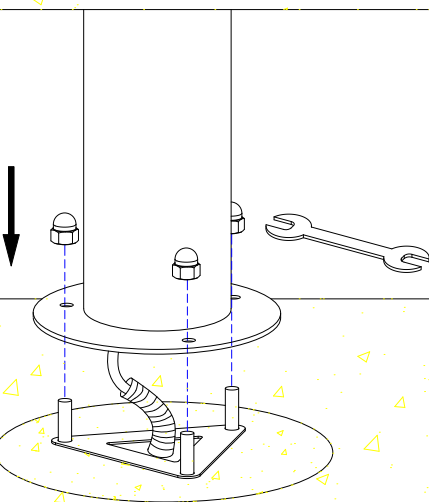
③



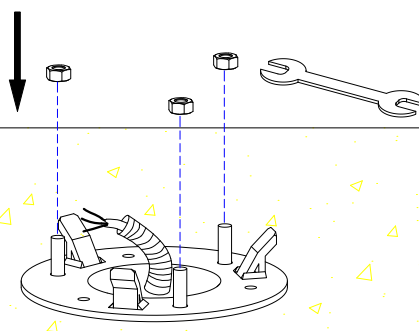
④



⑤A



⑤B



06-05-2020