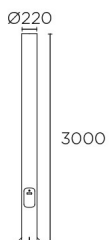




Citizen Structure

81-3239-Z5-Z5

CITIZEN column, head not included



TECHNICAL FEATURES

Structure material : Steel

Structure finish : Urban grey

Diffuser material : Polycarbonate

Diffuser finish : Transparent

Warranty : 5 Years

Seaside : No

LOGISTICS

Net weight (kg): 58.04

Packaged weight (kg): 76

Packaging: 430mm x 430mm x 3050mm

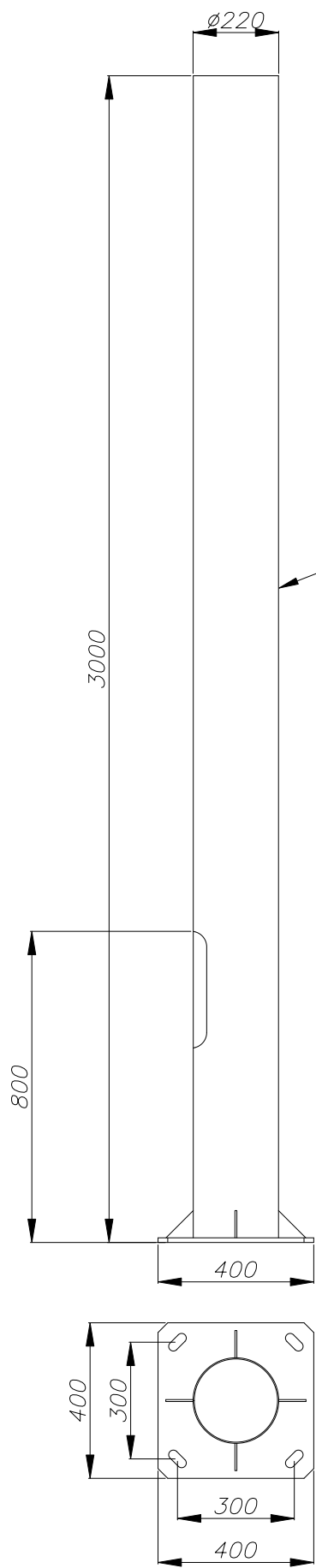


1 Un

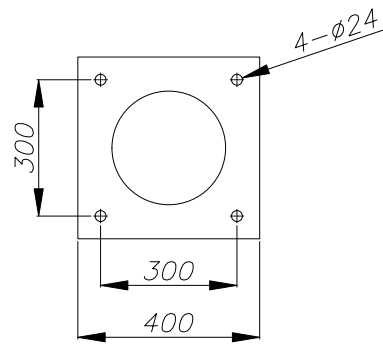
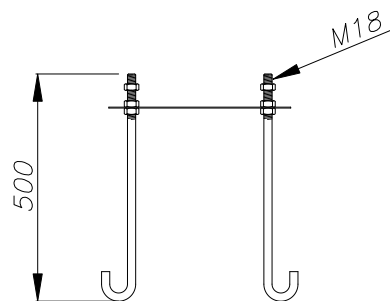
71-E117-Z5-00

Scratch-protection paint in Z5 grey

Structure material: NA
Dimensions: NA x NA x NA



ACERO GALVANIZADO Y PINTADO
GALVANIZED AND PAINTED STEEL



PLANTILLA DE INSTALACIÓN
INSTALLATION TEMPLATE

