



Proud Structure

--

81-E000-Z5-Z5

Conical column of 3.5mm in Z5 finish



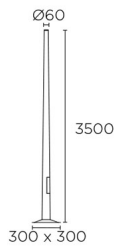
TECHNICAL FEATURES

Structure material : Steel

Structure finish : Urban grey

Warranty : 5 Years

Seaside : Yes



LOGISTICS

Packaging: 3550mm x 320mm x 320mm



71-E213-48-48

Floor mounting bolts

Structure material: Steel
Dimensions: 300 x 400 x 300

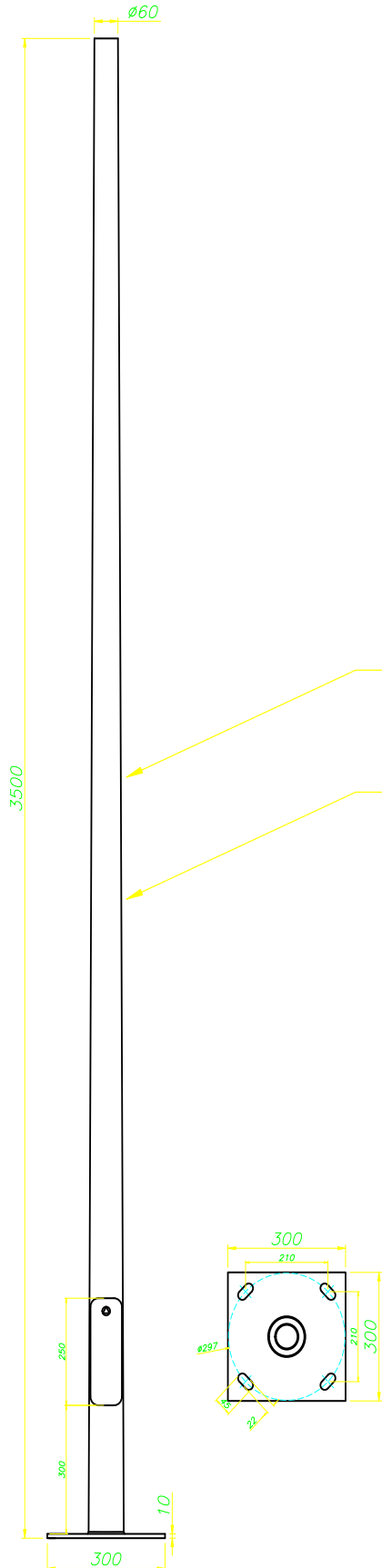
71-E117-Z5-00

Scratch-protection paint in Z5 grey

Structure material: NA
Dimensions: NA x NA x NA

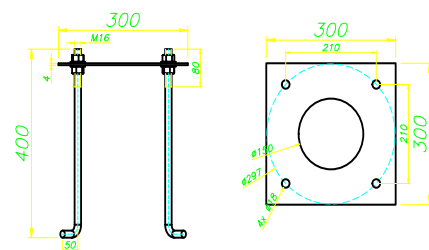
LEDS C4²

81-E000



Galvanized steel (55-9305-48-48)

Galvanized and painted steel
(55-9305-Z5-Z5)



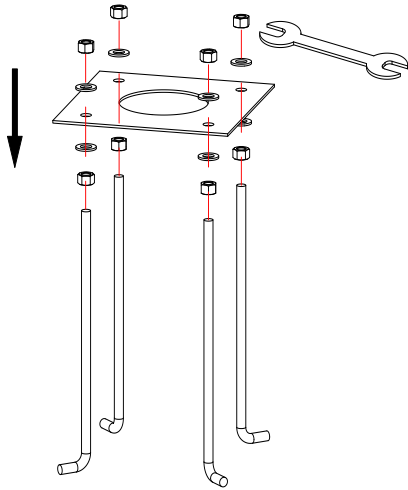
FIXATION KIT

27-11-2020

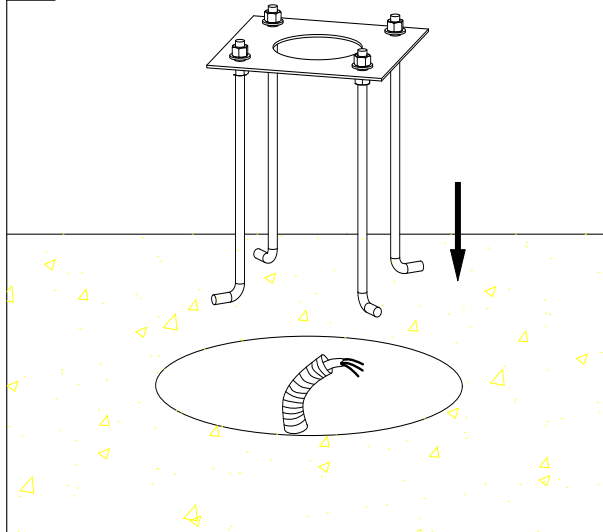
LEDS C4¹

81-E000

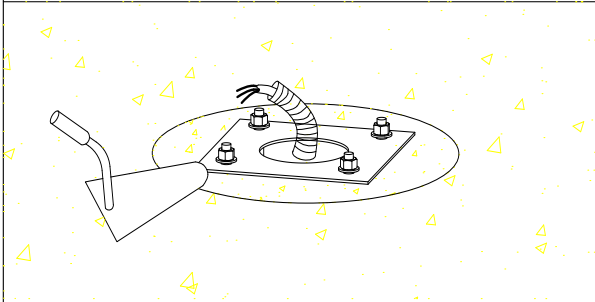
1



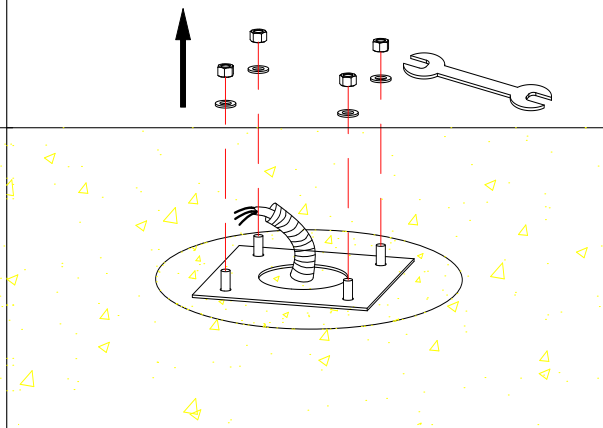
2



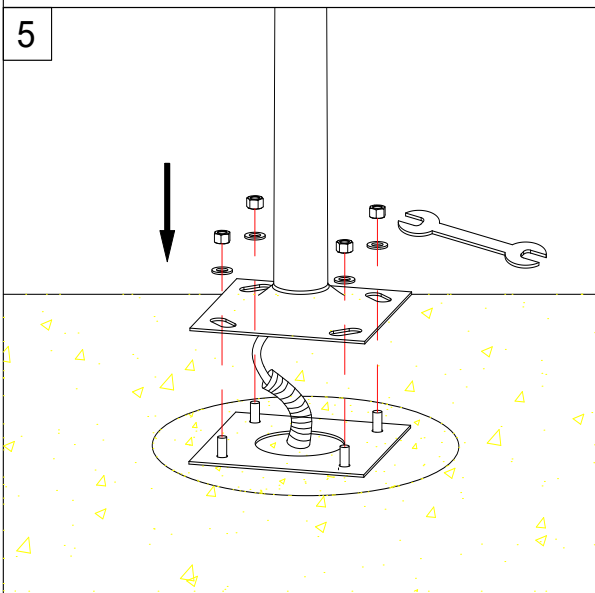
3



4



5



6

