

Bravo Pendant

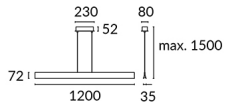
Designer: Manel Llusçà



Description

Pendant Bravo LED 37W 3000K Grey 3075lm

	Finish	Material
Structure	Grey	Aluminium
Diffuser	Opal	Acrylic



TECHNICAL CHARACTERISTICS

Light source

Light source: LED SAMSUNG
 Light source power (W): 37W
 Luminaire total power (W): 40.7W
 Color temperature: LED warm-white 3000K
 CRI: 80
 Photobiological risk: RG0
 Real Lumen: 3075
 Qty Leds: 184
 Lm/Real W: 76
 Life Time: 50.000h L80B20
 Bin / Grup: VA/VB
 MacAdam steps: 3
 Luminance C0°65°: 220.6
 Luminance 90°65°: 34.4

GEAR

Gear included: Yes, electronic
 Voltage / Frequency:
 100-240V/50-60Hz
 Power Factor: 0.90
 Dimming protocol: ON-OFF

Luminaire

Warranty: 5 Years

Logistics

Energy Efficiency: LED A++
 EAN Code: 8435381425760
 Net Weight (Kg): 1.88
 Weight in Kg (packaged): 2.6
 Packing: 150 x 95 x 1240
 Masterbox: 4

UGR	
S=0.250	
Ceiling/Cavity	0.7
Walls	0.5
Working Plane	0.2
Room dimensions	X=4H, Y=8H
UGR Crosswise	6.1
UGR Endwise	0.5

The photograph may not match the reference exactly. Please read the product description to identify the finish.

LEDS C4[®]

Luminaria

Código 00-4925-34-M1V1
Nombre BRAVO

Ensayo

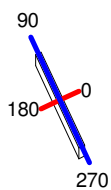
Código 00-4925-34-M1V1
Nombre BRAVO

Flujo Luminaria	3075.03 lm	Potencia luminaria	42.50 W	Eficacia	72.35 lm/W	Eficiencia	100.00%
Flujo de Lámpara	3075.03 lm	Valor Máximo	365.12 cd/klm	Posición	C=0.00 G=7.00	CG	Asimétrico
Luminaria Rectangular		Longit.	1200 mm	Anchura	72 mm	Altura	1500 mm
Área Luminosa Rectangular		Longit.	1200 mm	Anchura	1200 mm	Altura	1500 mm
Área Luminosa Horizontal	1.440000 m2			Área Emisión sobre Pl. 180°		1.800000 m2	
Área Emisión sobre Pl. 0°	1.800000 m2			Área Emisión sobre Pl. 270°		1.800000 m2	
Área Emisión sobre Pl. 90°	1.800000 m2			Área de deslumbramiento a 76°		2.094900 m2	
Sist. de Coorden.	CG			Tipo de Simetría		Asimétrico	
Fecha	07-02-2015			Máximo Ángulo Gamma		180	
Distancia de Ensayo	0.00			Flujo de Ensayo		3075.03 lm	
Operador				Tensión de alimentación [V]			
Temperatura	25.00 °C			Corriente de alimentación [A]			
Humedad	60.00 %			Fotocélula			
Notas							

Lámparas de la Luminaria

Familia	Código LED	Nombre LED	Flujo [lm]	Pot. [W]	Cant.
C.I.E.	54 83 96 74 100	D DIN 5040	3075.03	42.50	1
F UTE	0.74 D + 0.26 T	B NBN	B41	BZ 4	

1200mm x 72mm



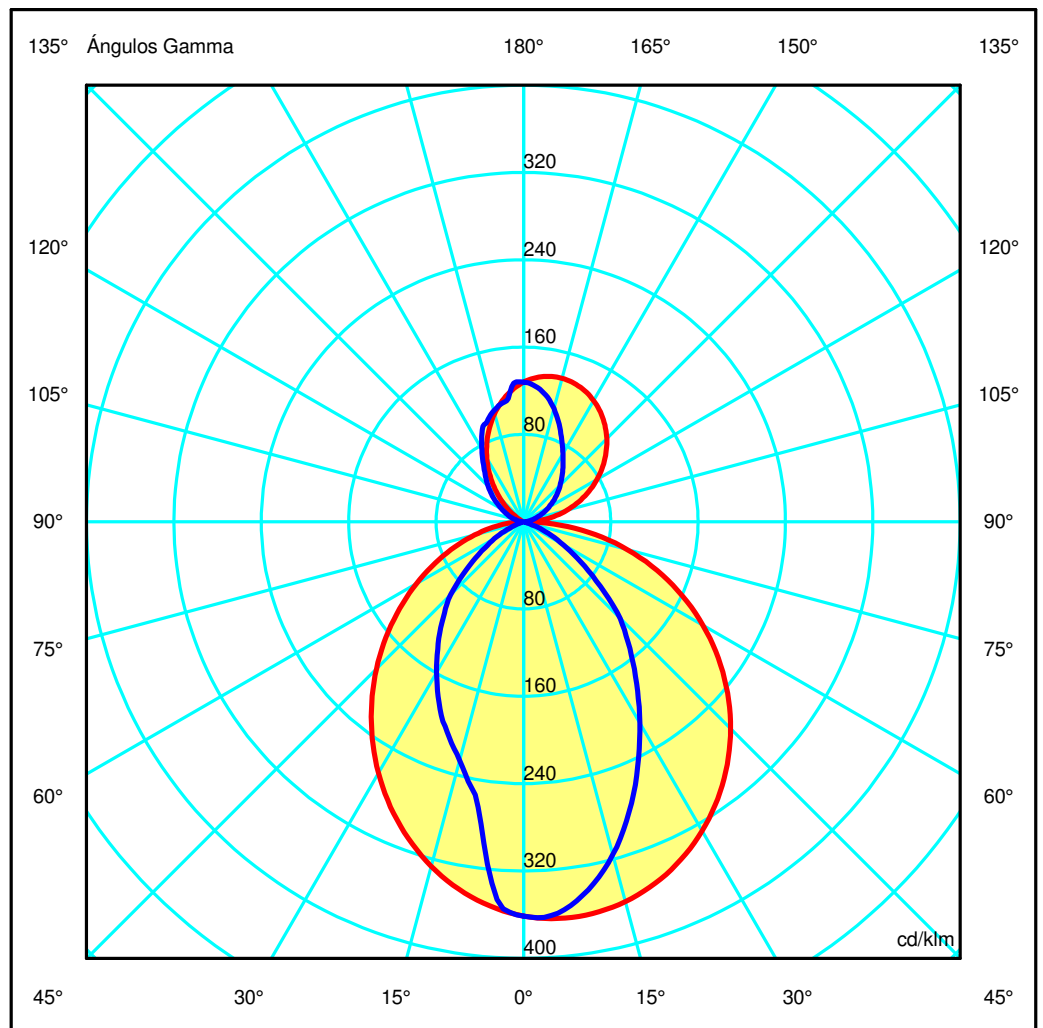
Semiplanos C

180.0 — 0.0
270.0 — 90.0

ULOR 26.21 %

DLOR 73.79 %

RN 26.21 %



Luminaria

Código 00-4925-34-M1V1

Nombre BRAVO

Ensayo

Código 00-4925-34-M1V1

Nombre BRAVO

Flujo Luminaria	3075.03 lm	Potencia luminaria	42.50 W	Eficacia	72.35 lm/W	Eficiencia	100.00%
Flujo de Lámpara	3075.03 lm	Valor Máximo	365.12 cd/klm	Posición	C=0.00 G=7.00	CG	Asimétrico

Tabla de Intensidad Luminosa cd/klm Tabla 1/3

	C 0.00	C 90.00	C 180.00	C 270.00
G 0.0	361.15	361.15	361.15	361.15
G 1.0	362.22	362.14	359.91	360.06
G 2.0	363.11	363.01	358.51	358.03
G 3.0	363.84	362.79	356.94	354.98
G 4.0	364.41	361.68	355.21	346.75
G 5.0	364.81	359.84	353.32	332.38
G 6.0	365.04	357.46	351.28	315.43
G 7.0	365.12	354.36	349.08	296.85
G 8.0	365.04	350.73	346.75	279.52
G 9.0	364.80	346.52	344.27	264.69
G 10.0	364.41	342.40	341.65	254.02
G 11.0	363.86	337.67	338.89	248.50
G 12.0	363.17	332.73	336.00	243.20
G 13.0	362.32	327.20	332.99	237.05
G 14.0	361.33	321.75	329.85	231.29
G 15.0	360.20	315.69	326.59	225.96
G 16.0	358.92	309.76	323.21	221.42
G 17.0	357.50	303.16	319.72	217.24
G 18.0	355.94	296.48	316.11	213.27
G 19.0	354.24	289.94	312.40	208.89
G 20.0	352.41	282.87	308.59	204.63
G 21.0	350.44	276.04	304.68	200.56
G 22.0	348.34	269.04	300.67	197.20
G 23.0	346.12	261.90	296.58	192.75
G 24.0	343.76	254.55	292.39	187.76
G 25.0	341.28	247.61	288.12	182.69
G 26.0	338.67	240.48	283.76	178.20
G 27.0	335.95	233.70	279.33	173.59
G 28.0	333.10	226.62	274.83	168.65
G 29.0	330.13	219.92	270.25	163.82
G 30.0	327.05	213.02	265.61	159.24
G 31.0	323.86	206.24	260.91	154.57
G 32.0	320.55	199.77	256.14	149.85
G 33.0	317.13	193.18	251.32	145.33
G 34.0	313.60	186.99	246.45	140.64
G 35.0	309.96	180.88	241.53	136.33
G 36.0	306.22	174.57	236.56	131.86
G 37.0	302.38	168.73	231.55	127.54
G 38.0	298.44	162.77	226.51	123.24
G 39.0	294.39	156.98	221.43	118.72
G 40.0	290.25	151.53	216.32	114.59
G 41.0	286.02	146.01	211.18	110.44
G 42.0	281.69	140.62	206.02	106.63
G 43.0	277.27	135.58	200.84	102.67
G 44.0	272.75	130.38	195.65	99.07
G 45.0	268.16	125.53	190.44	94.51
G 46.0	263.47	119.25	185.22	89.26
G 47.0	258.70	112.20	180.00	83.72
G 48.0	253.85	104.96	174.78	78.63
G 49.0	248.92	98.44	169.56	73.15
G 50.0	243.91	91.94	164.34	68.24
G 51.0	238.83	85.62	159.14	63.94
G 52.0	233.67	79.99	153.94	59.45
G 53.0	228.44	74.37	148.77	55.16
G 54.0	223.14	69.22	143.61	50.97
G 55.0	217.77	64.06	138.48	46.60
G 56.0	212.33	59.26	133.37	42.35
G 57.0	206.82	54.81	128.30	39.42
G 58.0	201.26	50.32	123.26	36.46
G 59.0	195.63	46.36	118.25	33.43
G 60.0	189.95	42.43	113.29	30.53
G 61.0	184.20	38.80	108.38	27.83
G 62.0	178.41	35.05	103.52	25.11
G 63.0	172.55	31.66	98.70	22.45
G 64.0	166.65	28.44	93.95	19.59
G 65.0	160.70	25.04	89.25	16.47
G 66.0	154.70	22.05	84.62	13.81
G 67.0	148.65	19.27	80.05	11.75
G 68.0	142.56	16.49	75.56	9.84
G 69.0	136.43	13.88	71.14	7.76
G 70.0	130.26	10.97	66.80	5.67
G 71.0	124.05	8.28	62.54	4.00
G 72.0	117.80	5.54	58.36	2.53

Luminaria

Código 00-4925-34-M1V1

Nombre BRAVO

Ensayo

Código 00-4925-34-M1V1

Nombre BRAVO

Flujo Luminaria	3075.03 lm	Potencia luminaria	42.50 W	Eficacia	72.35 lm/W	Eficiencia	100.00%
Flujo de Lámpara	3075.03 lm	Valor Máximo	365.12 cd/klm	Posición	C=0.00 G=7.00	CG	Asimétrico

Tabla de Intensidad Luminosa cd/klm Tabla 2/3

	C 0.00	C 90.00	C 180.00	C 270.00
G 73.0	111.52	3.42	54.28	2.03
G 74.0	105.20	3.00	50.28	1.96
G 75.0	98.86	2.92	46.39	1.83
G 76.0	92.49	2.74	42.59	1.74
G 77.0	86.09	2.74	38.90	1.73
G 78.0	79.67	2.61	35.31	1.60
G 79.0	73.22	2.39	31.83	1.46
G 80.0	66.75	2.25	28.47	1.33
G 81.0	60.26	2.18	25.23	1.27
G 82.0	53.76	2.06	22.11	1.17
G 83.0	47.24	1.81	19.11	1.05
G 84.0	40.71	1.76	16.24	0.98
G 85.0	34.16	1.62	13.50	0.93
G 86.0	27.61	1.50	10.90	0.86
G 87.0	21.05	1.33	8.44	0.83
G 88.0	14.48	1.29	6.13	0.79
G 89.0	7.91	1.20	3.96	0.79
G 90.0	1.34	1.14	1.94	0.69
G 91.0	4.02	1.37	0.07	0.89
G 92.0	6.71	1.55	0.00	1.01
G 93.0	9.39	1.77	0.00	1.20
G 94.0	12.07	2.07	0.00	1.49
G 95.0	14.75	2.47	0.00	1.90
G 96.0	17.42	2.94	0.00	2.28
G 97.0	20.09	3.52	0.00	2.84
G 98.0	22.75	4.15	0.00	3.38
G 99.0	25.40	4.86	0.00	3.94
G100.0	28.04	5.61	0.00	4.56
G101.0	30.68	6.34	0.00	5.19
G102.0	33.30	7.15	0.00	5.82
G103.0	35.91	7.93	0.00	6.49
G104.0	38.51	8.83	0.00	7.10
G105.0	41.10	9.68	0.00	7.80
G106.0	43.67	10.59	0.00	8.63
G107.0	46.23	11.54	0.00	9.41
G108.0	48.77	12.57	0.00	10.25
G109.0	51.29	13.57	0.00	11.01
G110.0	53.80	14.61	0.00	11.88
G111.0	56.29	15.68	0.00	12.93
G112.0	58.75	16.89	0.00	13.84
G113.0	61.20	17.96	0.00	14.75
G114.0	63.63	19.11	0.00	15.74
G115.0	66.03	20.40	0.00	16.78
G116.0	68.41	21.62	0.00	18.02
G117.0	70.76	22.83	0.00	19.13
G118.0	73.09	24.08	0.00	20.23
G119.0	75.39	25.48	0.00	21.41
G120.0	77.66	26.74	1.01	22.60
G121.0	79.91	28.00	2.53	23.97
G122.0	82.12	29.30	4.12	25.25
G123.0	84.31	30.77	5.78	26.56
G124.0	86.46	32.04	7.51	27.88
G125.0	88.59	33.39	9.30	29.30
G126.0	90.68	34.85	11.15	30.93
G127.0	92.73	36.19	13.06	32.45
G128.0	94.75	37.50	15.02	33.99
G129.0	96.73	39.01	17.04	35.53
G130.0	98.68	40.36	19.11	37.20
G131.0	100.59	41.73	21.22	38.75
G132.0	102.46	43.09	23.39	40.35
G133.0	104.29	44.50	25.59	42.04
G134.0	106.08	46.08	27.83	43.71
G135.0	107.83	47.51	30.11	45.35
G136.0	109.53	48.89	32.43	47.10
G137.0	111.19	50.49	34.77	48.75
G138.0	112.81	51.98	37.15	50.50
G139.0	114.38	53.45	39.55	52.22
G140.0	115.91	54.95	41.98	53.95
G141.0	117.39	56.63	44.42	55.81
G142.0	118.81	58.20	46.89	57.67
G143.0	120.19	59.78	49.37	59.73
G144.0	121.52	61.41	51.86	61.77
G145.0	122.80	63.03	54.37	63.89

Luminaria

Código 00-4925-34-M1V1

Nombre BRAVO

Ensayo

Código 00-4925-34-M1V1

Nombre BRAVO

Flujo Luminaria	3075.03 lm	Potencia luminaria	42.50 W	Eficacia	72.35 lm/W	Eficiencia	100.00%
Flujo de Lámpara	3075.03 lm	Valor Máximo	365.12 cd/klm	Posición	C=0.00 G=7.00	CG	Asimétrico

Tabla de Intensidad Luminosa cd/klm Tabla 3/3

	C 0.00	C 90.00	C 180.00	C 270.00
G146.0	124.03	64.86	56.88	66.20
G147.0	125.20	66.57	59.40	68.51
G148.0	126.32	68.37	61.92	70.97
G149.0	127.39	70.33	64.44	73.59
G150.0	128.40	72.22	66.95	76.09
G151.0	129.35	74.16	69.47	78.75
G152.0	130.24	76.28	71.97	81.41
G153.0	131.08	78.46	74.46	84.30
G154.0	131.85	80.64	76.94	87.09
G155.0	132.57	83.02	79.40	89.87
G156.0	133.22	85.35	81.85	92.51
G157.0	133.81	87.71	84.27	95.02
G158.0	134.34	90.28	86.67	96.26
G159.0	134.80	92.83	89.04	96.57
G160.0	135.20	95.30	91.38	97.69
G161.0	135.53	97.80	93.69	99.35
G162.0	135.79	100.33	95.97	100.98
G163.0	135.99	102.71	98.20	102.66
G164.0	136.11	105.20	100.40	104.12
G165.0	136.17	107.56	102.56	105.40
G166.0	136.15	109.78	104.67	106.64
G167.0	136.07	111.96	106.73	107.71
G168.0	135.90	114.21	108.74	108.83
G169.0	135.67	116.21	110.70	109.74
G170.0	135.36	118.00	112.60	110.54
G171.0	134.98	119.58	114.44	111.22
G172.0	134.52	121.01	116.22	111.94
G173.0	133.98	122.45	117.94	113.96
G174.0	133.36	123.63	119.59	118.88
G175.0	132.66	124.76	121.17	124.33
G176.0	131.88	125.78	122.68	127.30
G177.0	131.02	126.79	124.12	128.34
G178.0	130.08	127.40	125.47	128.43
G179.0	129.05	127.84	126.75	128.28
G180.0	127.94	127.94	127.94	127.94

LEDS C4[®]

Luminaria

Código 00-4925-34-M1V1
Nombre BRAVO

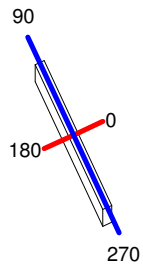
Ensayo

Código 00-4925-34-M1V1
Nombre BRAVO

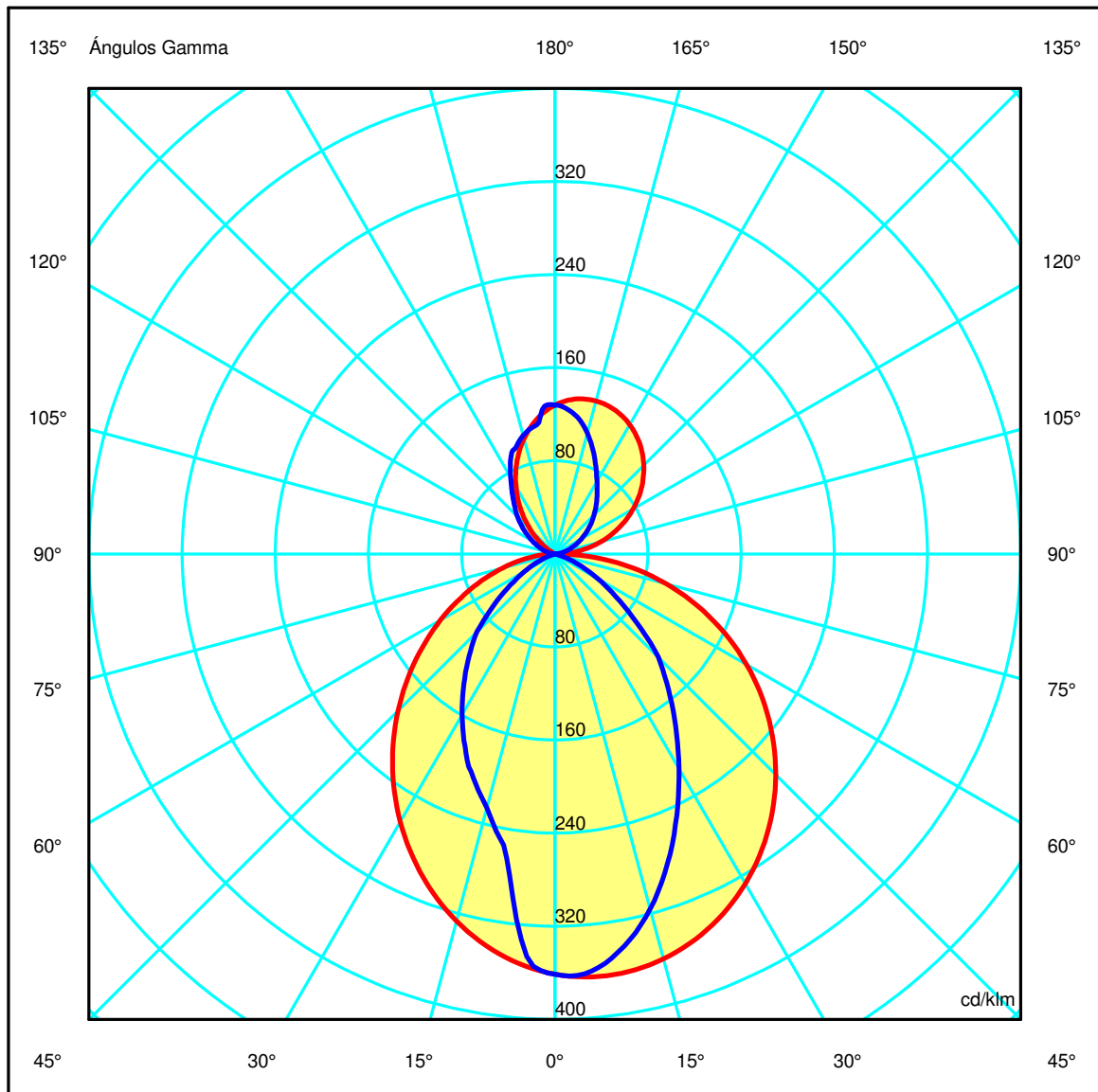
Flujo Luminaria	3075.03 lm	Potencia luminaria	42.50 W	Eficacia	72.35 lm/W	Eficiencia	100.00%
Flujo de Lámpara	3075.03 lm	Valor Máximo	365.12 cd/klm	Posición	C=0.00 G=7.00	CG	Asimétrico

1200mm x 72mm

Semiplanos C



180.0 ——— 0.0
270.0 ——— 90.0



LEDS C4[®]

Luminaria

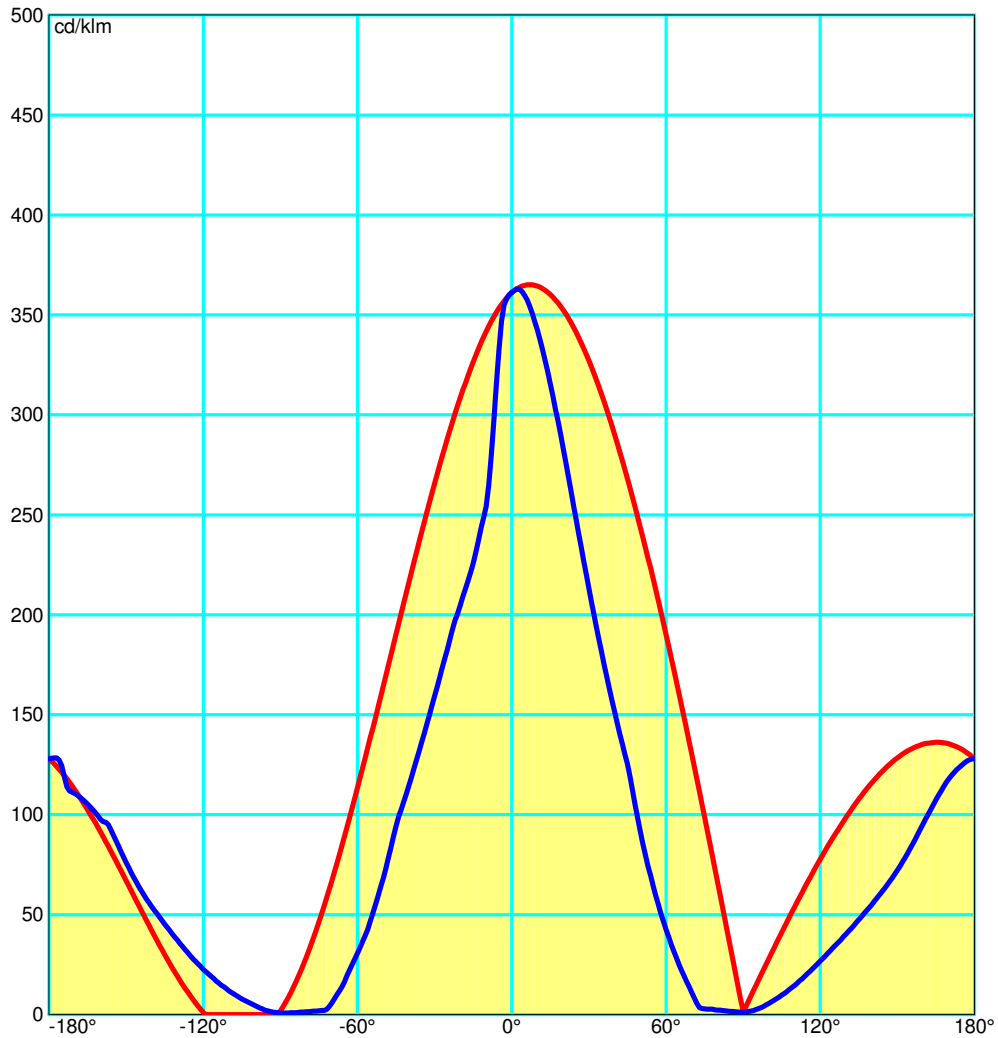
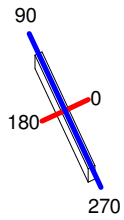
Código 00-4925-34-M1V1
Nombre BRAVO

Ensayo

Código 00-4925-34-M1V1
Nombre BRAVO

Flujo Luminaria	3075.03 lm	Potencia luminaria	42.50 W	Eficacia	72.35 lm/W	Eficiencia	100.00%
Flujo de Lámpara	3075.03 lm	Valor Máximo	365.12 cd/klm	Posición	C=0.00 G=7.00	CG	Asimétrico

1200mm x 72mm



Luminaria

Código 00-4925-34-M1V1

Nombre BRAVO

Ensayo

Código 00-4925-34-M1V1

Nombre BRAVO

Flujo Luminaria	3075.03 lm	Potencia luminaria	42.50 W	Eficacia	72.35 lm/W	Eficiencia	100.00%
Flujo de Lámpara	3075.03 lm	Valor Máximo	365.12 cd/klm	Posición	C=0.00 G=7.00	CG	Asimétrico

UGR
S = 0.250

Reflectancias										
Ceiling/Cavity	0.7	0.7	0.5	0.5	0.3	0.7	0.7	0.5	0.5	0.3
Walls	0.5	0.3	0.5	0.3	0.3	0.5	0.3	0.5	0.3	0.3
WorkingPlane	0.2	0.2	0.2	0.2	0.2	0.2	0.2	0.2	0.2	0.2
RoomDimensions	Viewed Crosswise					Viewed Endwise				
x=2H y=2H	4.2	5.2	4.9	5.8	6.5	< 0	0.6	0.2	1.2	1.9
x=2H y=3H	5.2	6.1	5.9	6.7	7.5	< 0	0.4	0.2	1.1	1.8
x=2H y=4H	5.5	6.3	6.2	7.0	7.8	< 0	0.3	0.1	0.9	1.7
x=2H y=6H	5.7	6.4	6.4	7.1	7.9	< 0	0.1	0.0	0.8	1.6
x=2H y=8H	5.7	6.4	6.4	7.1	8.0	< 0	< 0	< 0	0.7	1.5
x=2H y=12H	5.7	6.4	6.4	7.1	7.9	< 0	< 0	< 0	0.6	1.4
x=4H y=2H	4.2	5.0	4.9	5.7	6.5	0.6	1.4	1.2	2.0	2.8
x=4H y=3H	5.3	6.0	6.1	6.7	7.6	0.6	1.3	1.3	2.0	2.8
x=4H y=4H	5.7	6.3	6.5	7.1	7.9	0.6	1.1	1.3	1.9	2.7
x=4H y=6H	6.0	6.5	6.8	7.3	8.2	0.5	1.0	1.2	1.7	2.6
x=4H y=8H	6.1	6.5	6.9	7.3	8.2	0.4	0.9	1.2	1.6	2.6
x=4H y=12H	6.1	6.5	6.9	7.3	8.2	0.4	0.8	1.1	1.6	2.5
x=8H y=4H	5.7	6.1	6.4	6.9	7.8	1.0	1.5	1.8	2.2	3.2
x=8H y=6H	6.0	6.3	6.8	7.1	8.1	1.0	1.4	1.8	2.1	3.1
x=8H y=8H	6.1	6.4	6.9	7.2	8.2	0.9	1.3	1.8	2.1	3.1
x=8H y=12H	6.1	6.4	6.9	7.2	8.2	0.9	1.2	1.7	2.0	3.0
x=12H y=4H	5.6	6.0	6.4	6.8	7.7	1.1	1.5	1.9	2.3	3.2
x=12H y=6H	5.9	6.2	6.7	7.1	8.0	1.1	1.4	1.9	2.2	3.2
x=12H y=8H	6.0	6.3	6.9	7.1	8.1	1.1	1.3	1.9	2.2	3.2

Luminaria

Código 00-4925-34-M1V1

Nombre BRAVO

Ensayo

Código 00-4925-34-M1V1

Nombre BRAVO

Flujo Luminaria	3075.03 lm	Potencia luminaria	42.50 W	Eficacia	72.35 lm/W	Eficiencia	100.00%
Flujo de Lámpara	3075.03 lm	Valor Máximo	365.12 cd/klm	Posición	C=0.00 G=7.00	CG	Asimétrico

Flujo Total=3075.03 Flujo Luminaria=3075.03

RI	0.60	0.80	1.00	1.25	1.50	2.00	2.50	3.00	4.00	5.00	10.00	20.00
DRR	0.35	0.44	0.51	0.58	0.63	0.71	0.77	0.81	0.85	0.88	0.93	0.97
RC	4	4	4	4	4	4	4	4	4	4	4	4

Flujo Zonal por 1000 Lúmenes

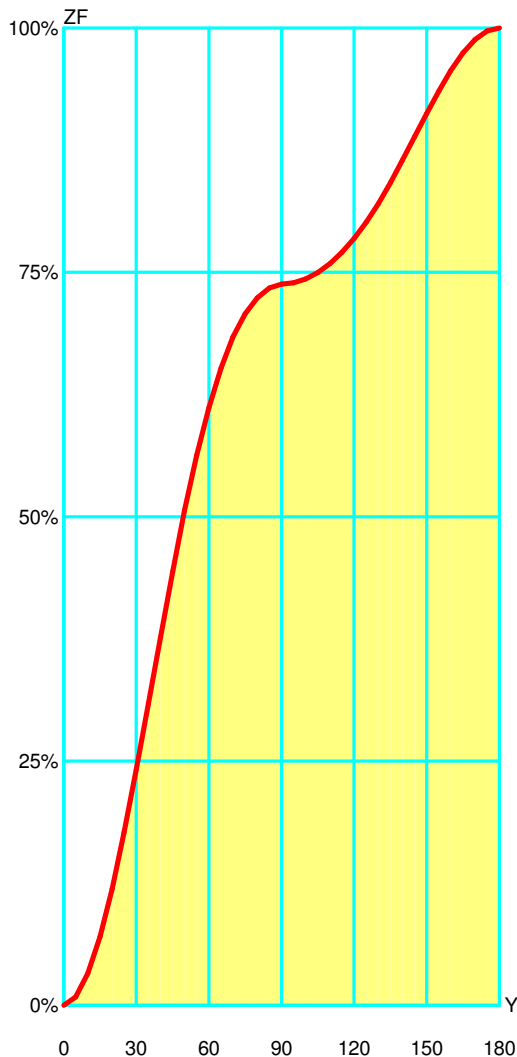
Y°	10	20	30	40	50	60	70	80	90	100	110	120	130	140	150	160	170	180
ZF(Y)	33	119	241	377	507	612	684	724	738	743	759	784	820	865	912	957	988	1000

Códigos de Flujo C.I.E.

54 83 96 74 100

C.I.E.	4
D DIN 5040	B41
F UTE	0.74 D + 0.26 T
B NBN	BZ 4
RN	26.21216 %
BLF	1.0

LOR	100.00000 %
ULOR	26.21216 %
DLOR	73.78784 %
UFF	26.21216 %
DFF	73.78784 %
FFR	35.52368 %



Gamma °	Flujo Zonal			
	Flujo	Suma lm	Flujo [%]	Suma [%]
0°	0.00	0.00	0.00%	0.00 %
5°	8.56	8.56	0.86 %	0.86 %
10°	24.12	32.68	2.41 %	3.27 %
15°	37.50	70.18	3.75 %	7.02 %
20°	48.94	119.12	4.89 %	11.91 %
25°	57.89	177.00	5.79 %	17.70 %
30°	64.00	241.00	6.40 %	24.10 %
35°	67.42	308.41	6.74 %	30.84 %
40°	68.38	376.79	6.84 %	37.68 %
45°	67.12	443.91	6.71 %	44.39 %
50°	62.93	506.83	6.29 %	50.68 %
55°	56.17	563.00	5.62 %	56.30 %
60°	48.57	611.57	4.86 %	61.16 %
65°	40.54	652.11	4.05 %	65.21 %
70°	31.90	684.01	3.19 %	68.40 %
75°	23.42	707.43	2.34 %	70.74 %
80°	16.62	724.05	1.66 %	72.41 %
85°	10.09	734.14	1.01 %	73.41 %
90°	3.74	737.88	0.37 %	73.79 %
95°	1.52	739.40	0.15 %	73.94 %
100°	3.86	743.27	0.39 %	74.33 %
105°	6.46	749.73	0.65 %	74.97 %
110°	9.06	758.79	0.91 %	75.88 %
115°	11.60	770.39	1.16 %	77.04 %
120°	13.99	784.39	1.40 %	78.44 %
125°	16.64	801.03	1.66 %	80.10 %
130°	19.32	820.35	1.93 %	82.04 %
135°	21.49	841.84	2.15 %	84.18 %
140°	23.01	864.85	2.30 %	86.49 %
145°	23.78	888.63	2.38 %	88.86 %
150°	23.81	912.44	2.38 %	91.24 %
155°	23.01	935.44	2.30 %	93.54 %
160°	21.12	956.56	2.11 %	95.66 %
165°	17.94	974.50	1.79 %	97.45 %
170°	13.76	988.27	1.38 %	98.83 %
175°	8.69	996.96	0.87 %	99.70 %
180°	3.04	1000.00	0.30 %	100.00 %

Luminaria

Código 00-4925-34-M1V1

Nombre BRAVO

Ensayo

Código 00-4925-34-M1V1

Nombre BRAVO

Flujo Luminaria	3075.03 lm	Potencia luminaria	42.50 W	Eficacia	72.35 lm/W	Eficiencia	100.00%
Flujo de Lámpara	3075.03 lm	Valor Máximo	365.12 cd/klm	Posición	C=0.00 G=7.00	CG	Asimétrico

Utilización CIE

Montaje	Directo	Normalización										Normalizados										Raz. de Susp. 1/3			CIE Estándar		
Techo																											
K	8873	8773	8871	8771	7773	7771	7753	7553	7751	7551	7731	7331	7711	7111	5551	5531	5331	5511	5111	3331	3311	1111	0000				
0.60	388	348	345	311	331	297	269	229	247	211	214	161	189	129	197	172	152	154	123	144	130	112	98				
0.80	434	398	369	340	378	325	311	272	275	242	238	190	211	154	226	198	179	177	147	170	153	135	116				
1.00	465	432	381	356	411	341	344	307	292	262	256	211	228	175	246	218	200	196	167	190	172	153	131				
1.25	492	464	387	367	441	352	376	341	307	281	272	231	243	195	264	236	219	214	186	209	190	172	146				
1.50	512	487	390	373	463	359	401	368	317	294	283	247	256	211	277	250	235	228	203	224	206	187	157				
2.00	538	517	389	376	493	363	437	409	328	310	299	268	274	236	293	270	256	249	227	246	229	211	175				
2.50	555	537	386	376	513	365	463	438	335	319	309	283	287	254	304	283	271	264	245	261	245	228	187				
3.00	566	551	384	376	527	365	482	460	339	326	317	294	297	267	311	293	282	276	258	272	258	242	197				
4.00	582	570	381	375	546	366	509	491	345	335	327	309	310	286	321	306	298	292	277	287	275	261	210				
5.00	593	583	379	374	558	366	526	511	349	340	333	318	319	298	328	314	307	302	289	298	287	273	218				
10.00	614	609	374	371	584	365	566	557	355	351	347	339	338	327	341	333	329	325	318	320	314	303	238				
20.00	625	622	370	368	598	363	588	583	358	356	354	350	349	343	347	343	341	339	335	333	329	320	250				

Pared

K	8873	8773	8871	8771	7773	7771	7753	7553	7751	7551	7731	7331	7711	7111	5551	5531	5331	5511	5111	3331	3311	1111	0000
0.60	407	385	352	335	374	326	295	276	263	248	221	201	190	169	240	203	196	177	166	191	167	161	143
0.80	462	440	388	372	424	360	345	325	300	284	258	235	226	202	272	236	228	209	196	221	196	187	166
1.00	499	478	408	393	458	379	382	360	324	307	283	260	251	226	292	258	249	231	218	240	217	205	180
1.25	531	511	423	409	488	394	416	394	344	328	305	283	275	249	310	278	269	252	239	257	235	221	193
1.50	555	537	432	420	510	404	443	421	358	344	322	300	293	267	323	293	285	269	255	270	249	233	203
2.00	581	565	436	427	533	408	475	455	371	358	340	320	314	289	333	308	300	287	273	282	264	245	210
2.50	597	583	437	429	548	410	497	478	378	367	351	333	327	305	339	317	310	298	286	289	273	252	214
3.00	606	594	435	428	557	409	511	494	381	372	357	341	336	315	342	323	316	305	294	293	279	255	216
4.00	624	614	438	433	574	413	536	521	391	382	371	357	353	334	350	334	329	320	309	302	291	264	222
5.00	637	629	441	437	587	417	554	541	398	391	381	369	365	349	357	344	338	331	322	310	300	272	227
10.00	667	662	449	447	616	426	596	588	415	411	405	398	395	385	374	366	363	358	352	330	323	291	241
20.00	679	676	449	447	627	426	616	612	420	418	415	411	409	403	379	374	372	370	366	336	333	297	245

P.Trab.

K	8873	8773	8871	8771	7773	7771	7753	7553	7751	7551	7731	7331	7711	7111	5551	5531	5331	5511	5111	3331	3311	1111	0000
0.60	552	530	515	497	516	485	419	400	404	387	349	328	309	289	376	329	321	294	284	315	284	276	261
0.80	655	630	603	584	609	567	512	489	488	469	431	406	389	362	452	404	395	368	354	385	352	340	324
1.00	736	710	670	651	684	631	589	563	557	536	501	473	458	427	513	467	457	431	416	443	411	395	377
1.25	811	786	731	713	754	690	663	637	621	601	568	538	526	492	572	529	517	493	476	498	468	448	428
1.50	867	844	775	759	806	733	721	694	670	650	619	589	578	544	616	575	564	542	524	541	512	488	467
2.00	949	928	836	823	883	793	808	782	741	723	697	668	660	625	682	647	635	617	598	605	580	550	527
2.50	1000	983	874	863	933	832	867	842	787	771	748	722	715	681	724	694	683	667	649	647	626	590	566
3.00	1000	1000	901	891	968	858	910	887	819	804	785	760	755	723	754	727	717	703	686	677	658	619	594
4.00	1000	1000	932	924	1000	890	965	945	859	847	831	810	806	777	791	769	760	749	733	714	698	653	627
5.00	1000	1000	951	945	1000	909	1000	982	883	873	859	841	838	813	813	795	787	777	764	737	723	674	647
10.00	1000	1000	990	986	1000	949	1000	1000	935	929	921	910	908	893	861	851	846	841	832	786	778	720	690
20.00	1000	1000	1000	1000	1000	970	1000	1000	962	959	955	949	948	939	888	882	879	876	872	813	809	745	713

LM53 SHR C0-C180: 1.336 SHR C90-C270: 0.943 SHR Superficial: 1.168

LEDS C4

Luminaria

Código 00-4925-34-M1V1
Nombre BRAVO

Ensayo

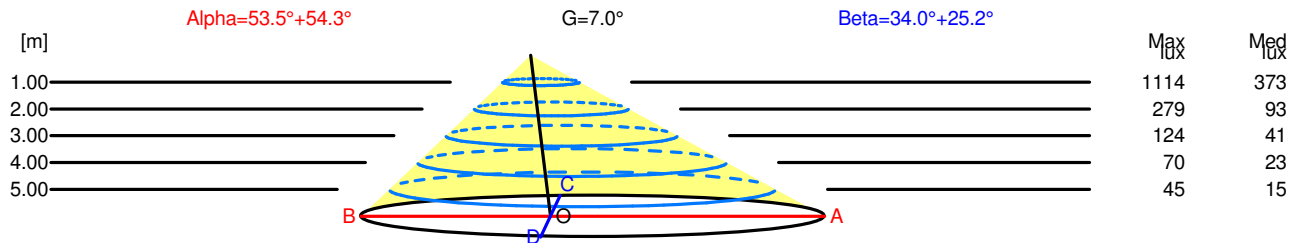
Código 00-4925-34-M1V1
Nombre BRAVO

Flujo Luminaria	3075.03 lm	Potencia luminaria	42.50 W	Eficacia	72.35 lm/W	Eficiencia	100.00%
Flujo de Lámpara	3075.03 lm	Valor Máximo	365.12 cd/klm	Posición	C=0.00 G=7.00	CG	Asimétrico

Apertura a 50.00 % de Max Intensidad

H[m]	1.00	2.00	3.00	4.00	5.00	H[m]	1.00	2.00	3.00	4.00	5.00
OA	1.70	3.40	5.11	6.81	8.51	OC	0.68	1.36	2.04	2.72	3.40
OB	1.18	2.35	3.53	4.71	5.88	OD	0.47	0.95	1.42	1.89	2.37

	Intensidades Luminosas [cd/klm]									
	0	5	15	25	35	45	55	65	75	85
OA	1110.55	1121.79	1107.61	1049.45	953.15	824.59	669.63	494.15	304.00	105.05
OB	1110.55	1086.46	1004.26	885.97	742.71	585.61	425.82	274.45	142.64	41.52
OC	1110.55	1106.52	970.76	761.40	556.22	386.02	196.99	77.00	8.98	4.99
OD	1110.55	1022.07	694.85	561.78	419.23	290.63	143.28	50.64	5.62	2.87



H[m]	D[m]	Max lux	Med lux	Alpha=53.5°+54.3°	G=7.0
1.00	2.88	1114	373		
2.00	5.76	279	93		
3.00	8.64	124	41		
4.00	11.52	70	23		
5.00	14.40	45	15		

H[m]	D[m]	Max lux	Med lux	Beta=25.2°+34.0°	G=0.0
1.00	1.15	1114	373		
2.00	2.31	279	93		
3.00	3.46	124	41		
4.00	4.61	70	23		
5.00	5.77	45	15		

LEDS C4[®]

Luminaria

Código 00-4925-34-M1V1

Nombre BRAVO

Ensayo

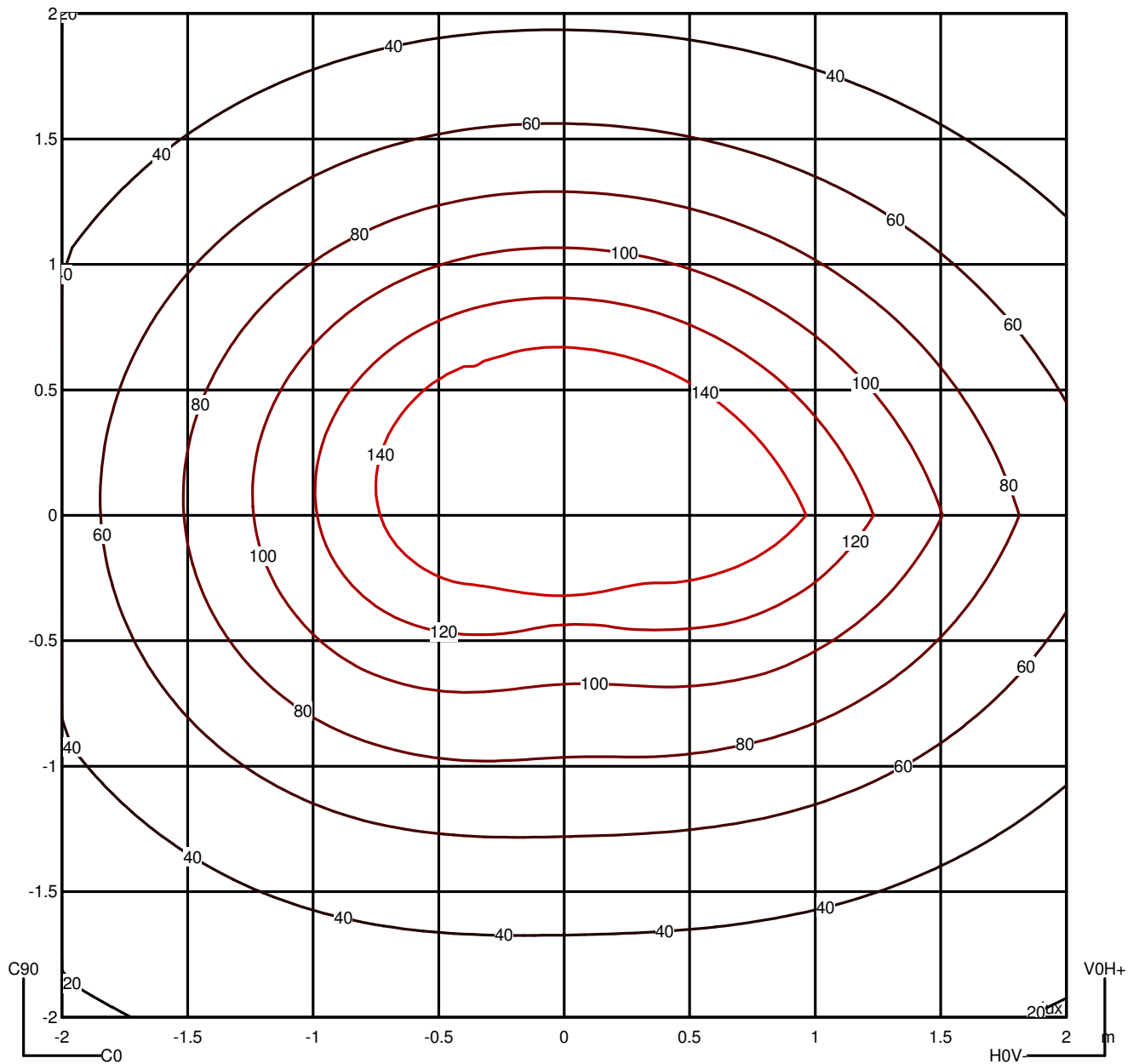
Código 00-4925-34-M1V1

Nombre BRAVO

Flujo Luminaria	3075.03 lm	Potencia luminaria	42.50 W	Eficacia	72.35 lm/W	Eficiencia	100.00%
Flujo de Lámpara	3075.03 lm	Valor Máximo	365.12 cd/klm	Posición	C=0.00 G=7.00	CG	Asimétrico

Isolux (Suelo)

Posición Luminaria X=0.00m Y=0.00m Z=2.50m



LEDS C4[®]

Luminaria

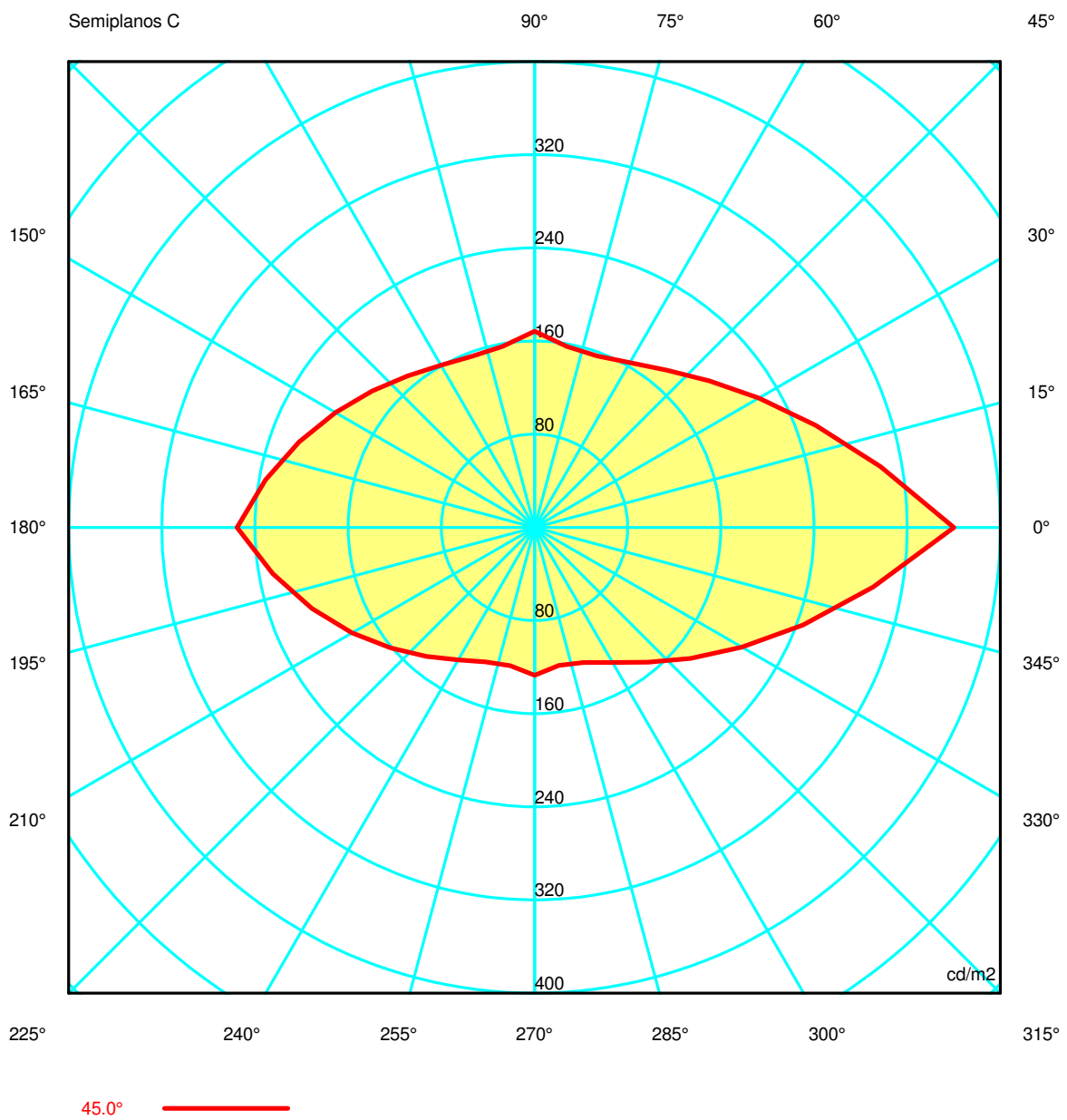
Código 00-4925-34-M1V1
Nombre BRAVO

Ensayo

Código 00-4925-34-M1V1
Nombre BRAVO

Flujo Luminaria	3075.03 lm	Potencia luminaria	42.50 W	Eficacia	72.35 lm/W	Eficiencia	100.00%
Flujo de Lámpara	3075.03 lm	Valor Máximo	365.12 cd/klm	Posición	C=0.00 G=7.00	CG	Asimétrico

Luminancia



Luminaria

Código 00-4925-34-M1V1

Nombre BRAVO

Ensayo

Código 00-4925-34-M1V1

Nombre BRAVO

Flujo Luminaria	3075.03 lm	Potencia luminaria	42.50 W	Eficacia	72.35 lm/W	Eficiencia	100.00%
Flujo de Lámpara	3075.03 lm	Valor Máximo	365.12 cd/klm	Posición	C=0.00 G=7.00	CG	Asimétrico

Luminance cd/m2 Tabla 1/3

	C 0.00	C 10.00	C 20.00	C 30.00	C 40.00	C 50.00	C 60.00	C 70.00	C 80.00	C 90.00	C 100.00	C 110.00	C 120.00
G 0.0	771.21	771.21	771.21	771.21	771.21	771.21	771.21	771.21	771.21	771.21	771.21	771.21	771.21
G 5.0	704.91	692.69	683.16	676.41	672.46	671.36	673.10	677.70	685.11	695.31	684.32	676.00	670.28
G 10.0	647.47	625.23	607.85	595.10	586.77	582.72	582.87	587.18	595.67	608.37	591.30	578.63	570.23
G 15.0	596.52	561.11	533.02	511.71	496.85	488.31	486.17	490.76	502.67	522.81	504.75	492.04	484.35
G 20.0	550.42	506.52	471.77	445.10	425.84	413.65	408.54	410.91	421.55	441.82	424.41	415.68	413.75
G 25.0	508.01	457.48	417.64	386.86	364.11	348.83	340.94	340.84	349.49	368.58	352.01	344.89	344.95
G 30.0	468.40	413.24	370.00	336.50	311.36	293.82	283.70	281.36	287.84	305.08	290.01	284.68	286.56
G 35.0	430.90	373.05	328.02	293.14	266.71	247.80	236.10	231.94	236.37	251.45	238.01	234.24	237.46
G 40.0	394.91	336.02	290.55	255.37	228.56	209.02	196.33	190.77	193.34	206.17	194.32	191.81	195.91
G 45.0	359.92	301.52	256.81	222.32	195.93	176.44	163.35	156.84	157.87	168.49	158.05	156.42	160.90
G 50.0	325.47	266.41	221.39	186.58	159.65	139.28	124.88	116.54	115.14	122.69	115.54	116.51	122.96
G 55.0	291.09	233.19	189.32	155.39	128.95	108.61	93.68	84.19	80.88	85.63	81.19	83.99	91.57
G 60.0	256.31	201.43	160.17	128.32	103.41	83.99	69.36	59.44	54.85	57.25	54.74	58.52	66.34
G 65.0	220.61	170.16	132.54	103.59	80.86	62.97	49.18	39.34	33.94	34.38	33.48	37.84	45.50
G 70.0	183.40	138.67	105.61	80.23	60.26	44.37	31.85	22.51	16.67	15.44	15.98	20.67	27.89
G 75.0	143.98	107.10	80.14	59.54	43.32	30.33	19.93	11.89	6.40	4.25	5.28	9.40	15.35
G 80.0	101.48	75.18	56.24	41.93	30.74	21.80	14.64	9.06	5.15	3.41	3.63	5.99	9.62
G 85.0	54.75	40.43	30.29	22.73	16.86	12.21	8.49	5.59	3.55	2.60	2.40	3.37	5.02
G 90.0	2.28	1.87	1.60	1.42	1.32	1.28	1.30	1.39	1.59	1.94	1.81	1.79	1.84

Luminaria

Código 00-4925-34-M1V1

Nombre BRAVO

Ensayo

Código 00-4925-34-M1V1

Nombre BRAVO

Flujo Luminaria	3075.03 lm	Potencia luminaria	42.50 W	Eficacia	72.35 lm/W	Eficiencia	100.00%
Flujo de Lámpara	3075.03 lm	Valor Máximo	365.12 cd/klm	Posición	C=0.00 G=7.00	CG	Asimétrico

Luminance cd/m2 Tabla 2/3

	C 130.00	C 140.00	C 150.00	C 160.00	C 170.00	C 180.00	C 190.00	C 200.00	C 210.00	C 220.00	C 230.00	C 240.00	C 250.00
G 0.0	771.21	771.21	771.21	771.21	771.21	771.21	771.21	771.21	771.21	771.21	771.21	771.21	771.21
G 5.0	667.05	666.19	667.52	670.88	676.04	682.71	667.36	653.95	642.86	634.42	628.92	626.65	627.91
G 10.0	565.98	565.84	569.81	577.92	590.28	607.02	575.06	544.45	516.25	491.39	470.73	455.21	445.89
G 15.0	481.45	483.26	489.85	501.40	518.25	540.85	505.43	472.08	441.74	415.21	393.29	376.88	367.13
G 20.0	417.22	425.02	436.26	450.13	465.73	481.99	446.41	413.30	383.46	357.54	336.21	320.34	311.07
G 25.0	350.62	360.75	374.44	390.94	409.42	428.87	394.26	362.23	333.44	308.44	287.83	272.41	263.34
G 30.0	293.97	305.74	321.00	339.05	359.16	380.41	347.17	316.47	288.85	264.79	244.82	229.68	220.52
G 35.0	245.96	258.58	274.52	293.15	313.83	335.76	304.26	275.21	249.06	226.19	207.08	192.41	183.26
G 40.0	204.92	217.75	233.67	252.11	272.55	294.32	264.84	237.71	213.29	191.87	173.85	159.85	150.90
G 45.0	169.88	182.33	197.59	215.20	234.72	255.61	228.37	203.39	180.93	161.19	144.51	131.43	122.88
G 50.0	133.33	146.67	162.39	180.04	199.20	219.29	194.41	171.17	149.90	130.85	114.33	100.86	91.30
G 55.0	102.48	115.90	131.28	148.22	166.36	185.10	162.84	141.74	122.17	104.38	88.65	75.46	65.57
G 60.0	76.94	89.60	103.87	119.42	135.92	152.88	133.52	115.01	97.69	81.79	67.56	55.40	45.98
G 65.0	55.38	66.88	79.63	93.37	107.82	122.53	106.06	90.16	75.15	61.23	48.60	37.58	28.75
G 70.0	36.78	46.87	57.87	69.58	81.78	94.05	80.68	67.58	55.08	43.34	32.55	22.94	14.97
G 75.0	22.49	30.48	39.14	48.32	57.88	67.56	57.65	47.89	38.55	29.74	21.60	14.30	8.19
G 80.0	14.08	19.12	24.64	30.56	36.81	43.28	36.61	30.19	24.13	18.48	13.31	8.72	4.95
G 85.0	7.12	9.54	12.22	15.14	18.29	21.64	18.13	14.85	11.82	9.04	6.52	4.32	2.55
G 90.0	1.94	2.09	2.29	2.54	2.87	3.31	2.76	2.34	2.02	1.75	1.53	1.36	1.23

Luminaria

Código 00-4925-34-M1V1

Nombre BRAVO

Ensayo

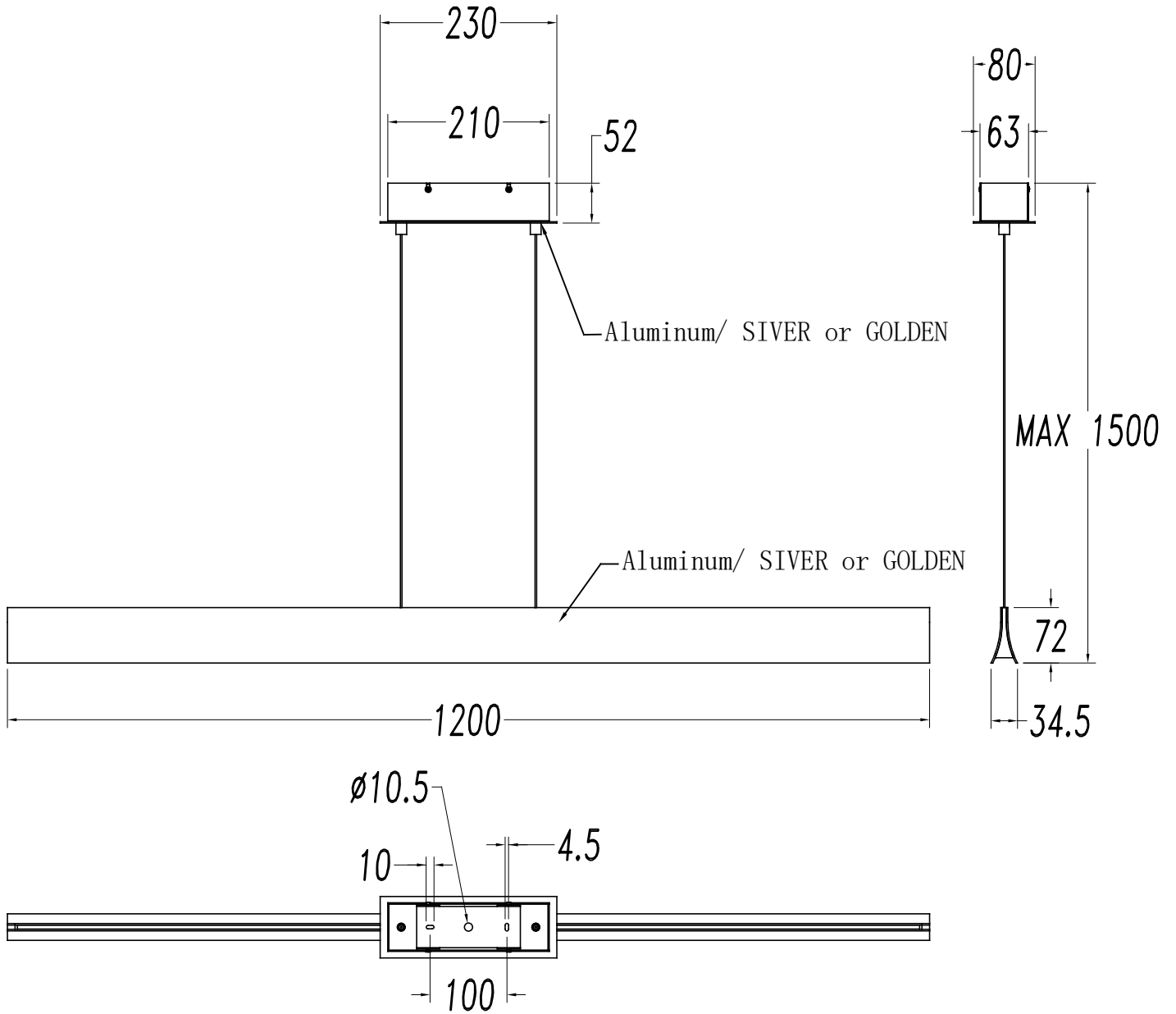
Código 00-4925-34-M1V1

Nombre BRAVO

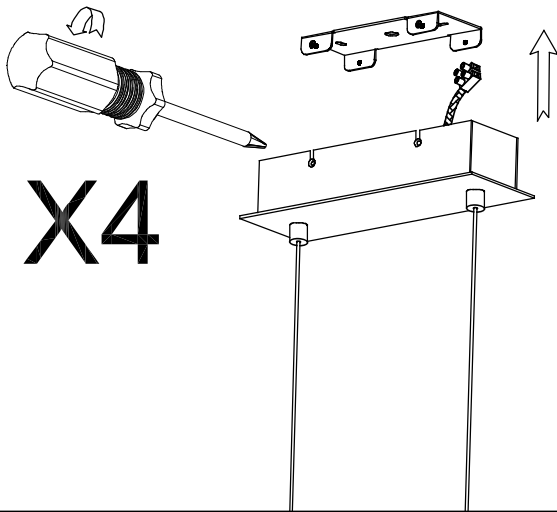
Flujo Luminaria	3075.03 lm	Potencia luminaria	42.50 W	Eficacia	72.35 lm/W	Eficiencia	100.00%
Flujo de Lámpara	3075.03 lm	Valor Máximo	365.12 cd/klm	Posición	C=0.00 G=7.00	CG	Asimétrico

Luminance cd/m2 Tabla 3/3

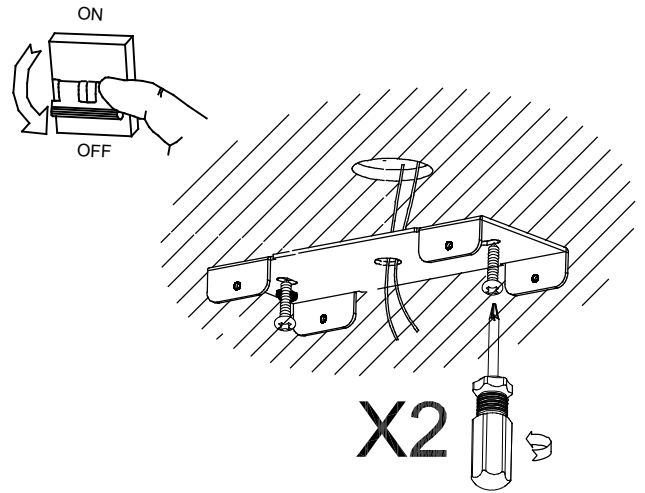
	C 260.00	C 270.00	C 280.00	C 290.00	C 300.00	C 310.00	C 320.00	C 330.00	C 340.00	C 350.00
G 0.0	771.21	771.21	771.21	771.21	771.21	771.21	771.21	771.21	771.21	771.21
G 5.0	633.00	642.25	633.80	629.61	629.47	633.22	640.70	651.75	666.24	684.02
G 10.0	444.05	451.33	440.75	439.98	447.87	463.58	486.59	516.55	553.35	596.97
G 15.0	365.55	374.22	362.31	361.50	370.24	387.55	412.92	446.18	487.52	537.39
G 20.0	310.05	319.61	307.19	306.30	315.13	332.64	358.36	392.30	434.95	487.20
G 25.0	262.33	271.94	259.81	259.29	268.40	286.04	311.80	345.86	388.93	442.32
G 30.0	219.07	228.06	216.91	217.20	226.82	244.67	270.41	304.35	347.41	401.25
G 35.0	181.37	189.53	179.73	180.96	191.05	208.92	234.32	267.67	310.08	363.48
G 40.0	148.66	155.91	147.68	149.85	160.28	177.94	202.68	234.99	276.15	328.31
G 45.0	120.46	126.86	120.28	123.31	133.87	151.07	174.80	205.66	245.00	295.17
G 50.0	87.17	91.06	86.77	91.33	102.78	120.29	143.83	174.08	212.52	261.61
G 55.0	60.37	62.29	60.06	65.76	77.57	94.78	117.43	146.28	182.83	229.67
G 60.0	40.51	41.19	40.62	46.90	58.42	74.61	95.59	122.14	155.76	199.03
G 65.0	23.12	22.61	23.58	30.25	41.26	56.19	75.21	99.11	129.34	168.41
G 70.0	9.46	7.99	10.15	16.81	26.91	40.13	56.73	77.44	103.61	137.57
G 75.0	3.90	2.66	5.02	10.69	18.88	29.44	42.58	58.95	79.72	106.87
G 80.0	2.42	2.01	3.95	8.02	13.74	21.03	30.10	41.42	55.87	74.97
G 85.0	1.45	1.49	2.60	4.78	7.79	11.61	16.36	22.33	30.00	40.27
G 90.0	1.16	1.17	0.93	0.83	0.82	0.87	0.98	1.15	1.40	1.76



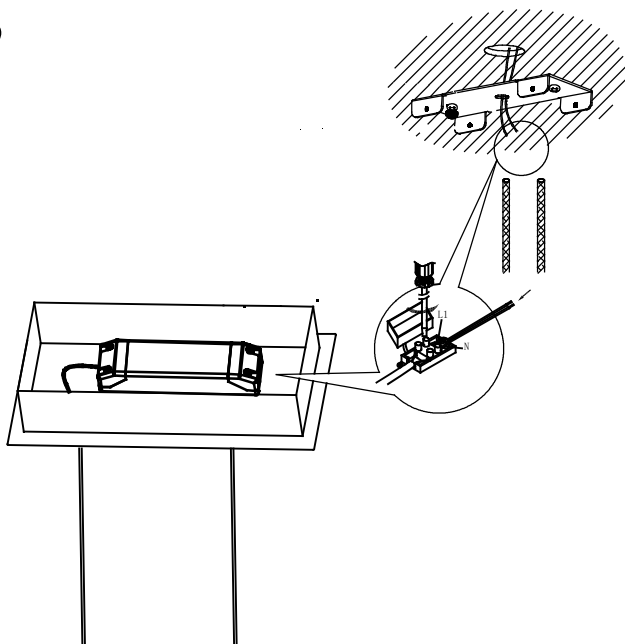
1



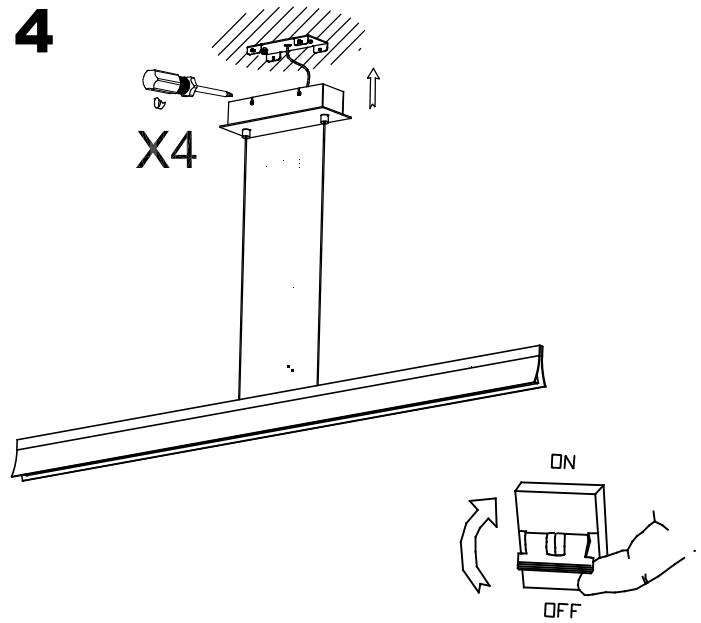
2



3



4



5

