

### Bravo Pendant

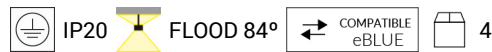
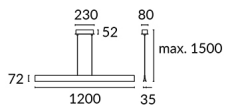
Designer: Manel Llusçà



#### Description

Pendant Bravo LED 37W 3000K PHASE CUT Grey 3075lm

	Finish	Material
Structure	Grey	Aluminium
Diffuser	Opal	Acrylic



#### TECHNICAL CHARACTERISTICS

##### Light source

Light source: LED SAMSUNG  
 Light source power (W): 37W  
 Luminaire total power (W): 42.2W  
 Color temperature: LED warm-white 3000K  
 CRI: 80  
 Photobiological risk: RG0  
 Real Lumen: 3075  
 Qty Leds: 184  
 Lm/Real W: 73  
 Life Time: 50.000h L80B20  
 Bin / Grup: VA/VB  
 MacAdam steps: 3  
 UGR: 17.6  
 Luminance C0°65°: 2852.7  
 Luminance 90°65°: 27839.5

##### Smart Compatible

71-5959-00-00: Casambi  
 Control Solution Bluetooth trailing edge dimming

##### GEAR

Brand: MEANWELL  
 Gear included: Yes, electronic  
 Voltage / Frequency:  
 100-240V/50-60Hz  
 Power Factor: 0.90  
 Dimming protocol: PHASE CUT

##### Luminaire

Warranty: 5 Years

##### Logistics

Energy Efficiency: LED A++  
 EAN Code: 8435381426132  
 Net Weight (Kg): 1.88  
 Weight in Kg (packaged): 2.92  
 Packing: 150 x 95 x 1240  
 Masterbox: 4

The photograph may not match the reference exactly. Please read the product description to identify the finish.

## COMPATIBLE

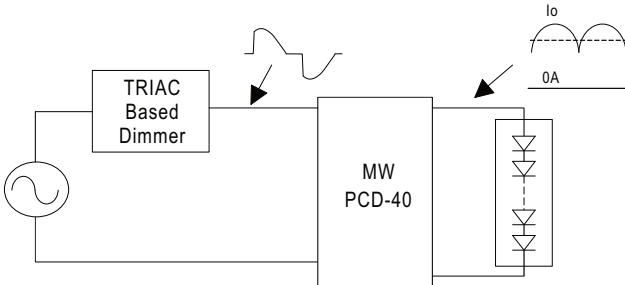
---



eBLUE:  
71-5959-00-00

**AC Dimming Operation**

⊙ The following diagram depicts a typical installation utilizing the PCD-40 :



Under direct driving, the power supply will work in "constant current mode (CC)" and output voltage of the power supply will be clamped by sum of forward voltage (V<sub>F</sub>) of the LED strip.

⊙ Dimmer Compatibility Chart

Manufacturer	Dimmer Model	
LUTRON	SKYLARK SF-12P-277	(277VAC / 60Hz)
LUTRON	DVF-103P-277	(277VAC / 60Hz)
JUNG	Licht-Management 225 TDE	(230VAC / 50Hz)
JUNG	Licht-Management 225 NV DE	(230VAC / 50Hz)
BERKER	Tronic-Drehdimmer 286710	(230-240VAC / 50Hz)
CLIPSAL	32E450UDM	(220-240VAC / 50Hz)
CLIPSAL	NO 32E450TM	(220-240VAC / 50Hz)
CLIPSAL	NO 32E450LM	(220-240VAC / 50Hz)
CLIPSAL	Cat 400T	(230-240VAC / 50Hz)

Conduction angle: 30 degrees(min.) / 180 degrees(max.)

# LEDS C4<sup>+</sup>

## Luminaire

Code 00-4926

Name BRAVO

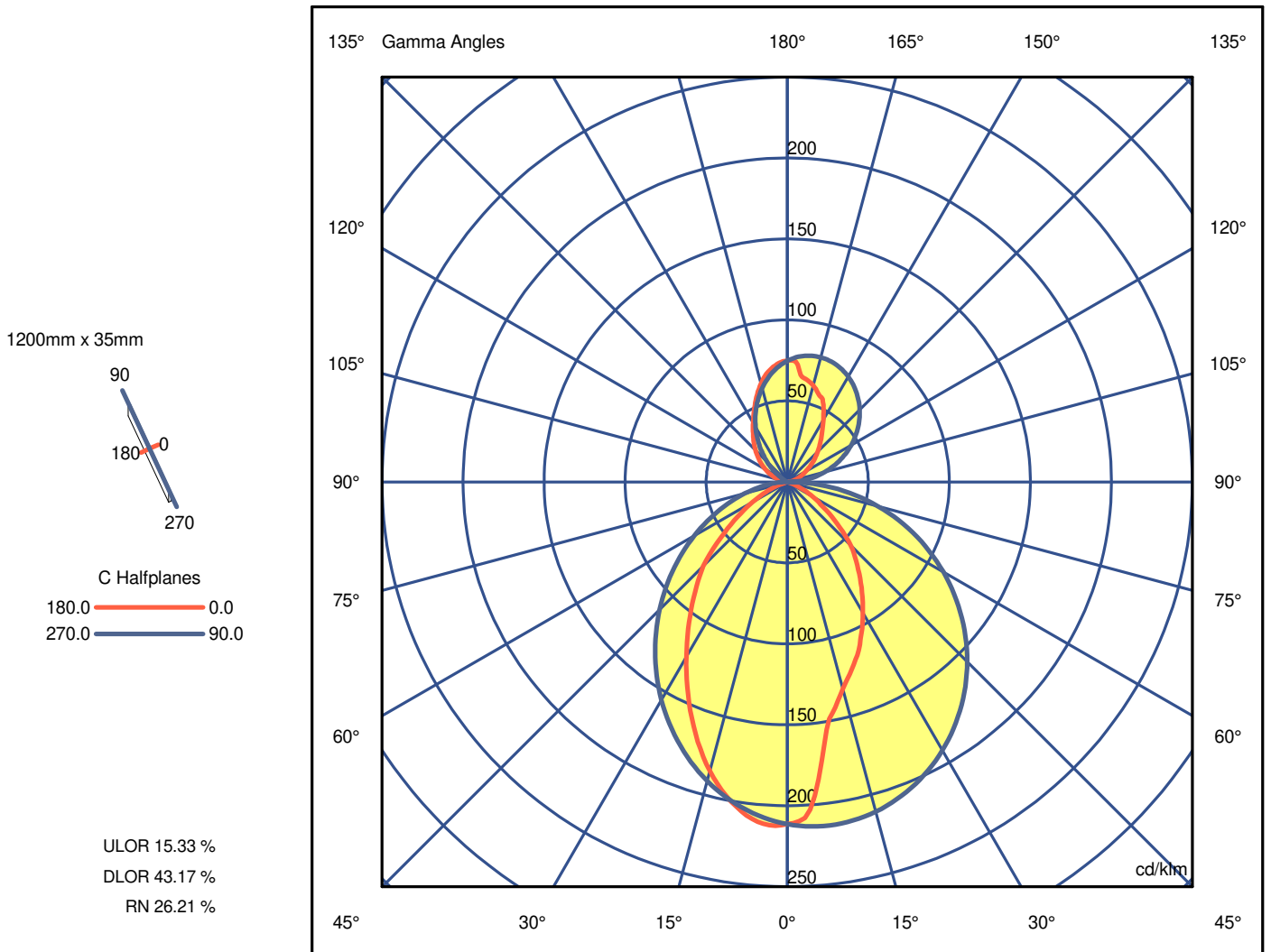
## Measurerm.

Code 00-4926

Name BRAVO

Luminaire Flux	2489.90 lm	Luminaire Power	42.50 W	Efficacy	58.59 lm/W	Efficiency	58.50%
Sources Flux	4256.00 lm	Maximum value	213.61 cd/klm	Position	C=90.00 G=7.00	CG	Asymmetrical
Rectangular Luminaire		Length	1200 mm	Width	35 mm	Height	72 mm
Rectangular Luminous Area		Length	1200 mm	Width	35 mm	Height	0 mm
Horizontal Luminous Area		0.042000 m <sup>2</sup>		Emitting area on Plane 180°		0.000000 m <sup>2</sup>	
Emitting area on Plane 0°		0.000000 m <sup>2</sup>		Emitting area on Plane 270°		0.000000 m <sup>2</sup>	
Emitting area on Plane 90°		0.000000 m <sup>2</sup>		Glare area at 76°		0.010161 m <sup>2</sup>	
Coordinate system		CG		Symmetry Type		Asymmetrical	
Date		07-02-2015		Maximum Gamma Angle		180	
Measurement Distance		0.00		Measurement Flux		4256.00 lm	
Operator				Rated Voltage			
Temperature		25.00 °C		Rated Current			
Humidity		60.00 %		Photocell			
Notes							

Line	Luminaire Lamps					
	Code LED	Name LED	Flux [lm]	Pow. [W]	Q.ty	
C.I.E.	54 83 96 74 59	D DIN 5040	B41	180	1	
F UTE	0.43 D + 0.15 T	B NBN	BZ 4	42.50		



# LEDS C4<sup>®</sup>

## Luminaire

Code 00-4926  
Name BRAVO

## Measur.

Code 00-4926  
Name BRAVO

Luminaire Flux	2489.90 lm	Luminaire Power	42.50 W	Efficacy	58.59 lm/W	Efficiency	58.50%
Sources Flux	4256.00 lm	Maximum value	213.61 cd/klm	Position	C=90.00 G=7.00	CG	Asymmetrical

Luminous Intensity Table cd/klm Table 1/3

	C 0.00	C 90.00	C 180.00	C 270.00
G 0.0	211.29	211.29	211.29	211.29
G 1.0	210.65	211.91	211.86	210.56
G 2.0	209.46	212.43	212.37	209.74
G 3.0	207.67	212.86	212.24	208.82
G 4.0	202.86	213.19	211.60	207.81
G 5.0	194.45	213.42	210.52	206.70
G 6.0	184.54	213.56	209.13	205.51
G 7.0	173.67	213.61	207.31	204.23
G 8.0	163.53	213.56	205.19	202.86
G 9.0	154.85	213.42	202.73	201.41
G 10.0	148.61	213.19	200.32	199.87
G 11.0	145.38	212.87	197.55	198.26
G 12.0	142.28	212.47	194.66	196.57
G 13.0	138.68	211.97	191.42	194.81
G 14.0	135.31	211.39	188.24	192.97
G 15.0	132.20	210.73	184.69	191.06
G 16.0	129.54	209.98	181.22	189.09
G 17.0	127.09	209.15	177.36	187.04
G 18.0	124.77	208.23	173.45	184.94
G 19.0	122.21	207.24	169.63	182.77
G 20.0	119.72	206.17	165.49	180.54
G 21.0	117.33	205.02	161.49	178.25
G 22.0	115.37	203.79	157.40	175.90
G 23.0	112.76	202.49	153.22	173.51
G 24.0	109.85	201.11	148.92	171.06
G 25.0	106.88	199.66	144.86	168.56
G 26.0	104.25	198.14	140.69	166.01
G 27.0	101.55	196.54	136.72	163.42
G 28.0	98.67	194.87	132.58	160.78
G 29.0	95.84	193.14	128.66	158.11
G 30.0	93.16	191.34	124.62	155.39
G 31.0	90.43	189.47	120.66	152.64
G 32.0	87.67	187.53	116.87	149.85
G 33.0	85.02	185.53	113.02	147.03
G 34.0	82.28	183.47	109.39	144.18
G 35.0	79.76	181.34	105.82	141.30
G 36.0	77.14	179.15	102.13	138.40
G 37.0	74.62	176.90	98.71	135.47
G 38.0	72.10	174.60	95.22	132.52
G 39.0	69.45	172.23	91.84	129.54
G 40.0	67.04	169.81	88.65	126.55
G 41.0	64.61	167.33	85.42	123.55
G 42.0	62.38	164.80	82.27	120.53
G 43.0	60.07	162.21	79.32	117.50
G 44.0	57.96	159.57	76.28	114.46
G 45.0	55.29	156.88	73.44	111.41
G 46.0	52.22	154.14	69.77	108.36
G 47.0	48.98	151.35	65.64	105.31
G 48.0	46.00	148.51	61.41	102.25
G 49.0	42.80	145.63	57.59	99.20
G 50.0	39.92	142.70	53.79	96.15
G 51.0	37.41	139.72	50.09	93.10
G 52.0	34.78	136.71	46.80	90.06
G 53.0	32.27	133.64	43.51	87.03
G 54.0	29.82	130.54	40.50	84.02
G 55.0	27.26	127.40	37.48	81.01
G 56.0	24.78	124.22	34.67	78.03
G 57.0	23.06	121.00	32.06	75.06
G 58.0	21.33	117.74	29.44	72.11
G 59.0	19.56	114.45	27.12	69.18
G 60.0	17.86	111.13	24.82	66.28
G 61.0	16.28	107.77	22.70	63.41
G 62.0	14.69	104.37	20.51	60.56
G 63.0	13.13	100.95	18.52	57.74
G 64.0	11.46	97.50	16.64	54.96
G 65.0	9.63	94.01	14.65	52.21
G 66.0	8.08	90.50	12.90	49.50
G 67.0	6.87	86.97	11.27	46.83
G 68.0	5.75	83.40	9.65	44.20
G 69.0	4.54	79.82	8.12	41.62
G 70.0	3.32	76.20	6.42	39.08
G 71.0	2.34	72.57	4.84	36.59
G 72.0	1.48	68.92	3.24	34.14

# LEDS C4<sup>®</sup>

## Luminaire

Code 00-4926  
Name BRAVO

## Measur.

Code 00-4926  
Name BRAVO

Luminaire Flux	2489.90 lm	Luminaire Power	42.50 W	Efficacy	58.59 lm/W	Efficiency	58.50%
Sources Flux	4256.00 lm	Maximum value	213.61 cd/klm	Position	C=90.00 G=7.00	CG	Asymmetrical

Luminous Intensity Table cd/klm Table 2/3

	C 0.00	C 90.00	C 180.00	C 270.00
G 73.0	1.19	65.24	2.00	31.75
G 74.0	1.15	61.55	1.76	29.42
G 75.0	1.07	57.84	1.71	27.14
G 76.0	1.02	54.11	1.60	24.92
G 77.0	1.01	50.37	1.60	22.76
G 78.0	0.94	46.61	1.53	20.66
G 79.0	0.85	42.84	1.40	18.62
G 80.0	0.78	39.05	1.31	16.66
G 81.0	0.74	35.26	1.27	14.76
G 82.0	0.68	31.45	1.20	12.93
G 83.0	0.61	27.64	1.06	11.18
G 84.0	0.57	23.82	1.03	9.50
G 85.0	0.55	19.99	0.95	7.90
G 86.0	0.51	16.15	0.88	6.38
G 87.0	0.48	12.31	0.78	4.94
G 88.0	0.46	8.47	0.75	3.58
G 89.0	0.46	4.63	0.70	2.31
G 90.0	0.40	0.78	0.67	1.13
G 91.0	0.52	2.35	0.80	0.04
G 92.0	0.59	3.92	0.90	0.00
G 93.0	0.70	5.49	1.03	0.00
G 94.0	0.87	7.06	1.21	0.00
G 95.0	1.11	8.63	1.45	0.00
G 96.0	1.33	10.19	1.72	0.00
G 97.0	1.66	11.75	2.06	0.00
G 98.0	1.98	13.31	2.43	0.00
G 99.0	2.30	14.86	2.84	0.00
G100.0	2.67	16.41	3.28	0.00
G101.0	3.04	17.95	3.71	0.00
G102.0	3.40	19.48	4.18	0.00
G103.0	3.79	21.01	4.64	0.00
G104.0	4.15	22.53	5.16	0.00
G105.0	4.56	24.04	5.66	0.00
G106.0	5.05	25.55	6.20	0.00
G107.0	5.51	27.05	6.75	0.00
G108.0	6.00	28.53	7.36	0.00
G109.0	6.44	30.01	7.94	0.00
G110.0	6.95	31.48	8.55	0.00
G111.0	7.57	32.93	9.17	0.00
G112.0	8.10	34.37	9.88	0.00
G113.0	8.63	35.80	10.51	0.00
G114.0	9.21	37.22	11.18	0.00
G115.0	9.82	38.63	11.94	0.00
G116.0	10.54	40.02	12.65	0.00
G117.0	11.19	41.40	13.36	0.00
G118.0	11.84	42.76	14.09	0.00
G119.0	12.53	44.10	14.91	0.00
G120.0	13.22	45.44	15.64	0.59
G121.0	14.02	46.75	16.38	1.48
G122.0	14.77	48.05	17.14	2.41
G123.0	15.54	49.32	18.00	3.38
G124.0	16.31	50.58	18.75	4.39
G125.0	17.14	51.83	19.53	5.44
G126.0	18.09	53.05	20.39	6.52
G127.0	18.98	54.25	21.17	7.64
G128.0	19.89	55.43	21.94	8.79
G129.0	20.79	56.59	22.82	9.97
G130.0	21.76	57.73	23.61	11.18
G131.0	22.67	58.85	24.41	12.42
G132.0	23.60	59.94	25.21	13.68
G133.0	24.59	61.01	26.03	14.97
G134.0	25.57	62.06	26.96	16.28
G135.0	26.53	63.08	27.79	17.62
G136.0	27.55	64.08	28.60	18.97
G137.0	28.52	65.05	29.54	20.34
G138.0	29.55	66.00	30.41	21.73
G139.0	30.55	66.92	31.27	23.14
G140.0	31.56	67.81	32.15	24.56
G141.0	32.65	68.67	33.13	25.99
G142.0	33.74	69.51	34.05	27.43
G143.0	34.95	70.32	34.97	28.88
G144.0	36.14	71.10	35.93	30.34
G145.0	37.38	71.84	36.88	31.81

# LEDS C4<sup>®</sup>

## Luminaire

Code 00-4926

Name BRAVO

## Measurem.

Code 00-4926

Name BRAVO

Luminaire Flux	2489.90 lm	Luminaire Power	42.50 W	Efficacy	58.59 lm/W	Efficiency	58.50%
Sources Flux	4256.00 lm	Maximum value	213.61 cd/klm	Position	C=90.00 G=7.00	CG	Asymmetrical

**Luminous Intensity Table cd/klm Table 3/3**

	C 0.00	C 90.00	C 180.00	C 270.00
G146.0	38.73	72.56	37.95	33.28
G147.0	40.08	73.25	38.95	34.75
G148.0	41.52	73.90	40.00	36.22
G149.0	43.05	74.53	41.14	37.70
G150.0	44.52	75.12	42.25	39.17
G151.0	46.07	75.67	43.39	40.64
G152.0	47.63	76.20	44.62	42.10
G153.0	49.32	76.68	45.90	43.56
G154.0	50.95	77.14	47.18	45.01
G155.0	52.58	77.56	48.57	46.45
G156.0	54.12	77.94	49.93	47.88
G157.0	55.59	78.28	51.31	49.30
G158.0	56.32	78.59	52.82	50.70
G159.0	56.50	78.86	54.31	52.09
G160.0	57.15	79.09	55.76	53.46
G161.0	58.13	79.29	57.22	54.81
G162.0	59.07	79.44	58.70	56.14
G163.0	60.06	79.56	60.09	57.45
G164.0	60.91	79.63	61.55	58.74
G165.0	61.66	79.66	62.93	60.00
G166.0	62.39	79.65	64.22	61.23
G167.0	63.01	79.60	65.50	62.44
G168.0	63.67	79.51	66.82	63.62
G169.0	64.20	79.37	67.98	64.76
G170.0	64.67	79.19	69.03	65.87
G171.0	65.07	78.97	69.96	66.95
G172.0	65.49	78.70	70.80	67.99
G173.0	66.67	78.38	71.64	69.00
G174.0	69.55	78.02	72.33	69.96
G175.0	72.74	77.61	72.99	70.89
G176.0	74.48	77.16	73.59	71.77
G177.0	75.08	76.65	74.18	72.61
G178.0	75.14	76.10	74.53	73.41
G179.0	75.05	75.50	74.79	74.15
G180.0	74.85	74.85	74.85	74.85

# LEDS C4<sup>2</sup>

**Luminaire**

Code 00-4926

Name BRAVO

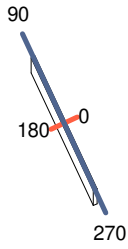
**Measur.**

Code 00-4926

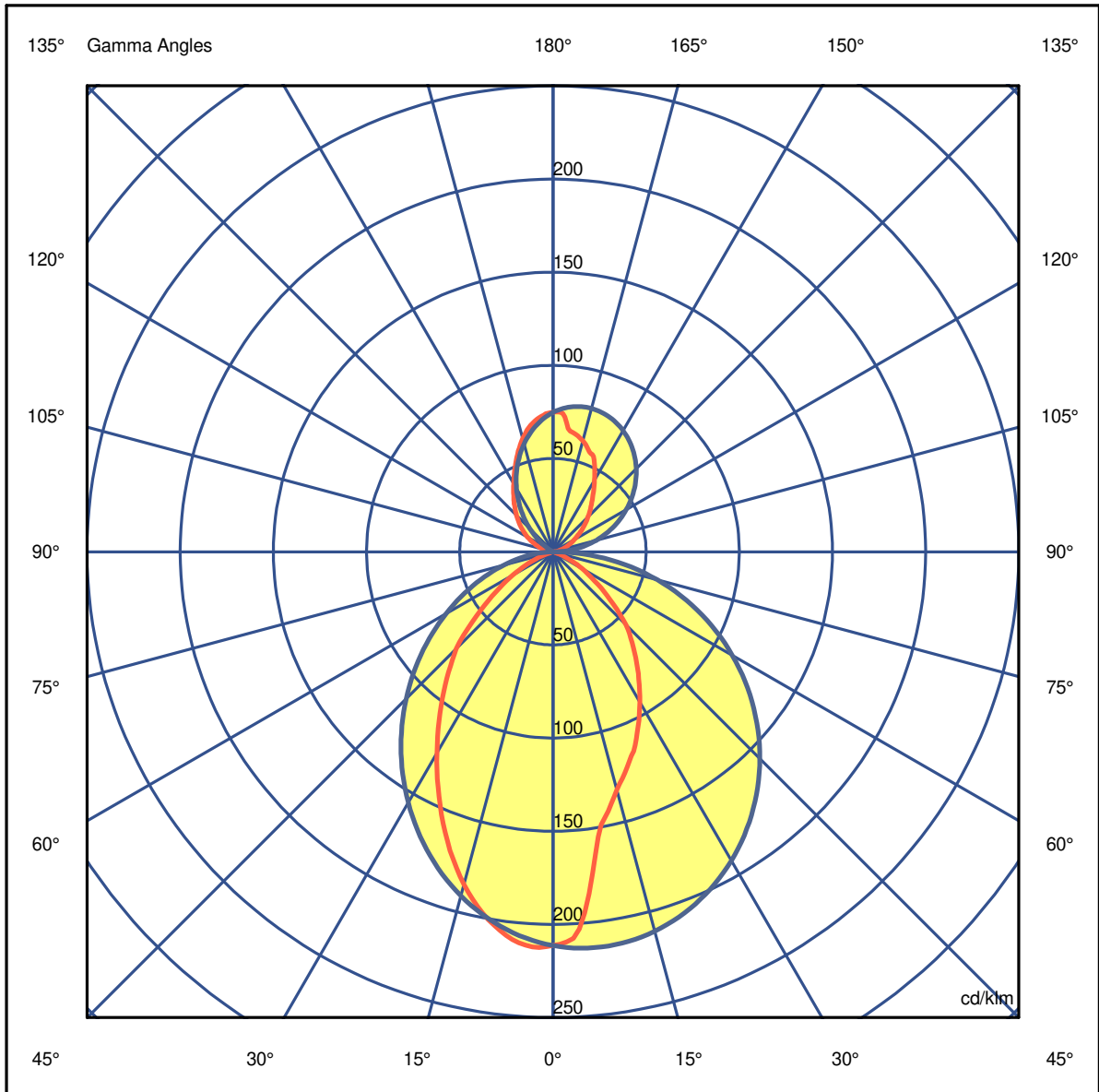
Name BRAVO

Luminaire Flux	2489.90 lm	Luminaire Power	42.50 W	Efficacy	58.59 lm/W	Efficiency	58.50%
Sources Flux	4256.00 lm	Maximum value	213.61 cd/klm	Position	C=90.00 G=7.00	CG	Asymmetrical

1200mm x 35mm



C Halfplanes





# LEDS C4<sup>®</sup>

## Luminaire

Code 00-4926

Name BRAVO

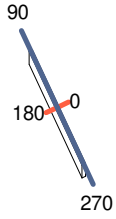
## Measurement

Code 00-4926

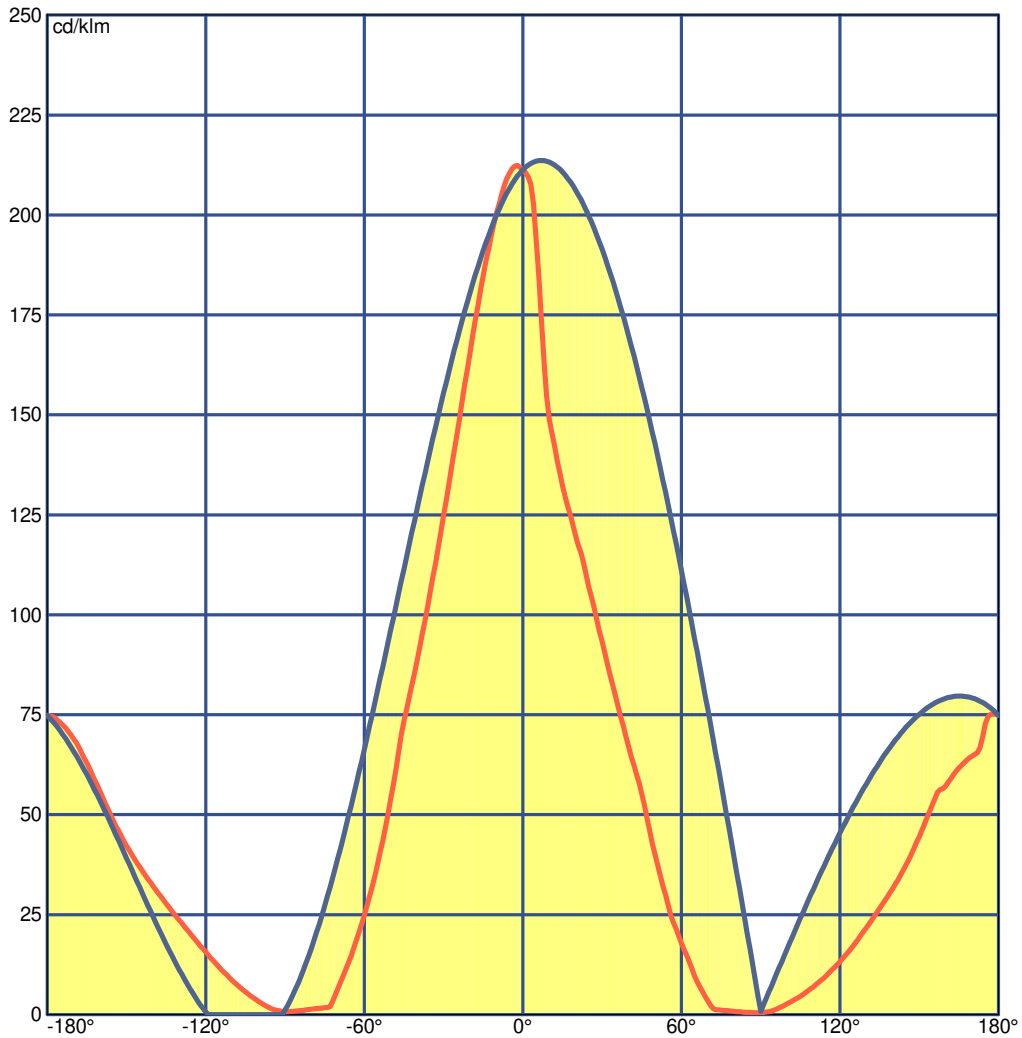
Name BRAVO

Luminaire Flux	2489.90 lm	Luminaire Power	42.50 W	Efficacy	58.59 lm/W	Efficiency	58.50%
Sources Flux	4256.00 lm	Maximum value	213.61 cd/klm	Position	C=90.00 G=7.00	CG	Asymmetrical

1200mm x 35mm



C Halfplanes



# LEDS C4<sup>®</sup>

## Luminaire

Code 00-4926  
Name BRAVO

## Measurem.

Code 00-4926  
Name BRAVO

Luminaire Flux	2489.90 lm	Luminaire Power	42.50 W	Efficacy	58.59 lm/W	Efficiency	58.50%
Sources Flux	4256.00 lm	Maximum value	213.61 cd/klm	Position	C=90.00 G=7.00	CG	Asymmetrical

**UGR**  
S = 0.250

Reflectancies										
Ceiling/Cavity	0.7	0.7	0.5	0.5	0.3	0.7	0.7	0.5	0.5	0.3
Walls	0.5	0.3	0.5	0.3	0.3	0.5	0.3	0.5	0.3	0.3
WorkingPlane	0.2	0.2	0.2	0.2	0.2	0.2	0.2	0.2	0.2	0.2
RoomDimensions	Viewed Crosswise					Viewed Endwise				
x=2H y=2H	16.8	17.7	17.4	18.3	19.1	19.8	20.8	20.5	21.4	22.1
x=2H y=3H	17.0	17.8	17.6	18.5	19.3	21.2	22.1	21.9	22.8	23.5
x=2H y=4H	16.9	17.7	17.6	18.4	19.2	21.8	22.6	22.5	23.3	24.1
x=2H y=6H	16.8	17.5	17.5	18.2	19.0	22.2	23.0	23.0	23.7	24.5
x=2H y=8H	16.8	17.5	17.5	18.2	19.0	22.4	23.1	23.1	23.8	24.6
x=2H y=12H	16.7	17.4	17.4	18.1	18.9	22.5	23.2	23.2	23.9	24.7
x=4H y=2H	18.1	18.9	18.8	19.5	20.3	20.0	20.8	20.7	21.5	22.3
x=4H y=3H	18.5	19.2	19.2	19.9	20.7	21.6	22.3	22.4	23.0	23.9
x=4H y=4H	18.5	19.1	19.3	19.9	20.7	22.4	23.0	23.1	23.7	24.5
x=4H y=6H	18.5	19.0	19.3	19.8	20.7	23.0	23.5	23.7	24.2	25.1
x=4H y=8H	18.5	19.0	19.3	19.7	20.7	23.2	23.6	24.0	24.4	25.3
x=4H y=12H	18.5	18.9	19.2	19.7	20.6	23.3	23.8	24.1	24.5	25.5
x=8H y=4H	19.5	19.9	20.2	20.7	21.6	22.4	22.9	23.2	23.6	24.6
x=8H y=6H	19.6	20.0	20.4	20.8	21.8	23.1	23.5	23.9	24.3	25.2
x=8H y=8H	19.7	20.0	20.5	20.8	21.8	23.4	23.7	24.2	24.5	25.5
x=8H y=12H	19.7	19.9	20.5	20.8	21.8	23.7	23.9	24.5	24.8	25.8
x=12H y=4H	19.7	20.1	20.5	20.9	21.8	22.3	22.8	23.1	23.5	24.5
x=12H y=6H	20.0	20.3	20.8	21.1	22.1	23.1	23.4	23.9	24.2	25.2
x=12H y=8H	20.1	20.4	20.9	21.2	22.2	23.4	23.7	24.2	24.5	25.5

# LEDS C4<sup>2</sup>

## Luminaire

Code 00-4926  
Name BRAVO

## Measurement

Code 00-4926  
Name BRAVO

Luminaire Flux	2489.90 lm	Luminaire Power	42.50 W	Efficacy	58.59 lm/W	Efficiency	58.50%
Sources Flux	4256.00 lm	Maximum value	213.61 cd/klm	Position	C=90.00 G=7.00	CG	Asymmetrical

Total Flux=4256.00 Luminaire Flux=2489.90

RI	0.60	0.80	1.00	1.25	1.50	2.00	2.50	3.00	4.00	5.00	10.00	20.00
DRR	0.35	0.44	0.51	0.58	0.63	0.71	0.77	0.81	0.85	0.88	0.93	0.97
RC	4	4	4	4	4	4	4	4	4	4	4	4

Zonal Flux per 1000 Lumen

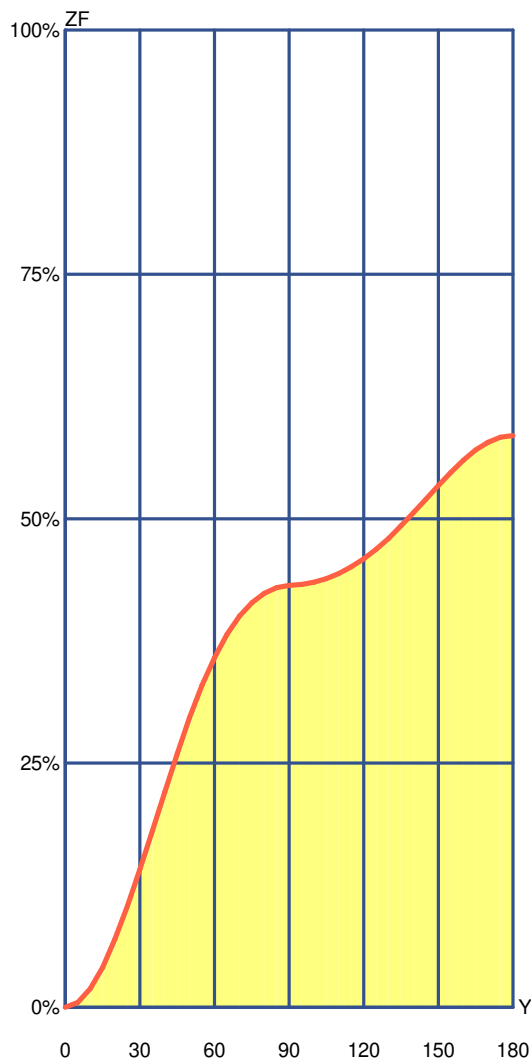
Y°	10	20	30	40	50	60	70	80	90	100	110	120	130	140	150	160	170	180
ZF(Y)	19	70	141	220	297	358	400	424	432	435	444	459	480	506	534	560	578	585

CIE Flux Codes

54 83 96 74 59

C.I.E. 4  
D DIN 5040 B41  
F UTE 0.43 D + 0.15 T  
B NBN BZ 4  
RN 26.21216 %  
BLF 1.0

LOR 58.50337 %  
ULOR 15.33500 %  
DLOR 43.16837 %  
UFF 26.21216 %  
DFF 73.78784 %  
FFR 35.52368 %



Gamma °	Zonal Flux			
	Flux	Sum lm	Flux [%]	Sum [%]
0°	0.00	0.00	0.00%	0.00 %
5°	5.01	5.01	0.86 %	0.86 %
10°	14.11	19.12	2.41 %	3.27 %
15°	21.94	41.06	3.75 %	7.02 %
20°	28.63	69.69	4.89 %	11.91 %
25°	33.87	103.55	5.79 %	17.70 %
30°	37.44	140.99	6.40 %	24.10 %
35°	39.44	180.43	6.74 %	30.84 %
40°	40.00	220.44	6.84 %	37.68 %
45°	39.27	259.70	6.71 %	44.39 %
50°	36.81	296.52	6.29 %	50.68 %
55°	32.86	329.38	5.62 %	56.30 %
60°	28.41	357.79	4.86 %	61.16 %
65°	23.72	381.51	4.05 %	65.21 %
70°	18.67	400.17	3.19 %	68.40 %
75°	13.70	413.87	2.34 %	70.74 %
80°	9.72	423.59	1.66 %	72.41 %
85°	5.90	429.49	1.01 %	73.41 %
90°	2.19	431.68	0.37 %	73.79 %
95°	0.89	432.58	0.15 %	73.94 %
100°	2.26	434.84	0.39 %	74.33 %
105°	3.78	438.62	0.65 %	74.97 %
110°	5.30	443.92	0.91 %	75.88 %
115°	6.79	450.71	1.16 %	77.04 %
120°	8.19	458.89	1.40 %	78.44 %
125°	9.74	468.63	1.66 %	80.10 %
130°	11.30	479.93	1.93 %	82.04 %
135°	12.57	492.51	2.15 %	84.18 %
140°	13.46	505.97	2.30 %	86.49 %
145°	13.91	519.88	2.38 %	88.86 %
150°	13.93	533.81	2.38 %	91.24 %
155°	13.46	547.27	2.30 %	93.54 %
160°	12.36	559.62	2.11 %	95.66 %
165°	10.50	570.12	1.79 %	97.45 %
170°	8.05	578.17	1.38 %	98.83 %
175°	5.09	583.26	0.87 %	99.70 %
180°	1.78	585.03	0.30 %	100.00 %

# LEDS C4<sup>+</sup>

## Luminaire

Code 00-4926  
Name BRAVO

## Measurement

Code 00-4926  
Name BRAVO

Luminaire Flux	2489.90 lm	Luminaire Power	42.50 W	Efficacy	58.59 lm/W	Efficiency	58.50%
Sources Flux	4256.00 lm	Maximum value	213.61 cd/klm	Position	C=90.00 G=7.00	CG	Asymmetrical

## Utilizations CIE

Mounting	Direct	Normalization										Normalised										Suspension Ratid/3										Standard CIE Settings									
Ceiling																																									
K	8873	8773	8871	8771	7773	7771	7753	7553	7751	7551	7731	7331	7711	7111	5551	5531	5331	5511	5111	3331	3311	1111	0000																		
0.60	227	204	202	182	194	174	158	134	145	123	125	94	111	76	115	101	89	90	72	85	76	66	58																		
0.80	254	233	216	199	221	190	182	159	161	141	139	111	124	90	132	116	105	104	86	99	90	79	68																		
1.00	272	253	223	208	241	200	201	180	171	154	150	123	133	102	144	127	117	114	98	111	100	89	77																		
1.25	288	271	226	215	258	206	220	200	179	164	159	135	142	114	154	138	128	125	109	122	111	100	85																		
1.50	300	285	228	218	271	210	234	216	185	172	166	144	150	124	162	146	137	133	118	131	120	109	92																		
2.00	315	302	227	220	288	212	256	239	192	181	175	157	160	138	172	158	150	146	133	144	134	123	102																		
2.50	325	314	226	220	300	213	271	256	196	187	181	166	168	148	178	166	159	155	143	153	143	134	110																		
3.00	331	322	225	220	308	214	282	269	198	191	185	172	174	156	182	171	165	161	151	159	151	141	115																		
4.00	341	334	223	219	319	214	298	287	202	196	191	181	181	167	188	179	174	171	162	168	161	152	123																		
5.00	347	341	222	219	326	214	308	299	204	199	195	186	186	174	192	184	180	177	169	174	168	160	128																		
10.00	359	356	219	217	342	213	331	326	208	205	203	198	198	191	199	195	193	190	186	187	184	177	139																		
20.00	366	364	216	216	350	213	344	341	210	208	207	205	204	201	203	201	199	198	196	195	193	187	146																		

## Wall

K	8873	8773	8871	8771	7773	7771	7753	7553	7751	7551	7731	7331	7711	7111	5551	5531	5331	5511	5111	3331	3311	1111	0000																		
0.60	238	226	206	196	219	191	172	162	154	145	129	117	111	99	140	119	115	103	97	112	98	94	84																		
0.80	270	258	227	218	248	211	202	190	176	166	151	138	132	118	159	138	133	122	115	129	115	109	97																		
1.00	292	279	238	230	268	222	223	211	189	180	165	152	147	132	171	151	146	135	128	140	127	120	106																		
1.25	311	299	247	240	285	230	243	231	201	192	179	165	161	146	181	163	158	148	140	151	138	129	113																		
1.50	325	314	253	246	298	236	259	246	210	201	189	176	171	156	189	172	166	157	149	158	146	137	119																		
2.00	340	330	255	250	312	239	278	266	217	210	199	187	184	169	195	180	176	168	160	165	154	143	123																		
2.50	349	341	255	251	321	240	291	280	221	215	205	195	192	178	199	186	181	174	167	169	160	147	125																		
3.00	355	347	254	251	326	239	299	289	223	217	209	199	197	184	200	189	185	179	172	171	163	149	126																		
4.00	365	359	256	253	336	241	314	305	228	224	217	209	206	195	205	196	192	187	181	177	170	155	130																		
5.00	373	368	258	256	343	244	324	316	233	229	223	216	214	204	209	201	198	194	188	182	175	159	133																		
10.00	390	387	263	261	360	249	349	344	243	241	237	233	231	225	219	214	212	209	206	193	189	170	141																		
20.00	397	396	262	262	367	249	360	358	246	245	243	240	239	236	222	219	218	216	214	197	195	174	143																		

## Working Pl.

K	8873	8773	8871	8771	7773	7771	7753	7553	7751	7551	7731	7331	7711	7111	5551	5531	5331	5511	5111	3331	3311	1111	0000																	
0.60	323	310	302	290	302	284	245	234	236	226	204	192	181	169	220	192	188	172	166	184	166	162	153																	
0.80	383	369	353	342	357	332	299	286	286	274	252	238	228	212	264	236	231	215	207	225	206	199	189																	
1.00	430	416	392	381	400	369	344	330	326	314	293	277	268	250	300	273	267	252	243	259	240	231	221																	
1.25	474	460	428	417	441	404	388	373	363	352	332	315	308	288	335	309	303	289	279	292	274	262	251																	
1.50	507	494	453	444	472	429	422	406	392	380	362	345	338	318	360	337	330	317	306	316	300	286	273																	
2.00	555	543	489	481	517	464	473	458	433	423	408	391	386	366	399	378	372	361	350	354	340	322	309																	
2.50	586	575	512	505	546	487	507	493	460	451	438	422	418	399	424	406	400	390	380	379	366	345	331																	
3.00	608	598	527	521	567	502	532	519	479	471	459	445	442	423	441	425	420	411	401	396	385	362	348																	
4.00	636	628	545	541	593	521	564	553	502	495	486	474	471	455	463	450	445	438	429	418	409	382	367																	
5.00	653	646	556	553	609	532	585	575	517	511	503	492	490	475	476	465	461	455	447	431	423	394	378																	
10.00	689	686	579																																					

# LEDS C4<sup>®</sup>

## Luminaire

Code 00-4926  
Name BRAVO

## Measurem.

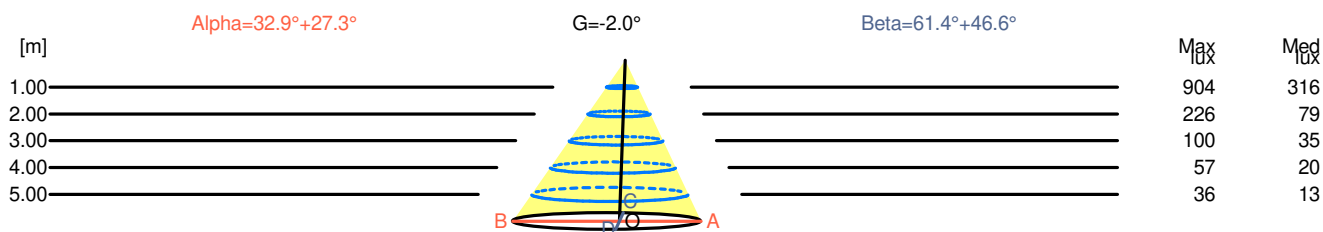
Code 00-4926  
Name BRAVO


Luminaire Flux	2489.90 lm	Luminaire Power	42.50 W	Efficacy	58.59 lm/W	Efficiency	58.50%
Sources Flux	4256.00 lm	Maximum value	213.61 cd/klm	Position	C=90.00 G=7.00	CG	Asymmetrical


Width at 50.00 % of Max Intensity

H[m]	1.00	2.00	3.00	4.00	5.00	H[m]	1.00	2.00	3.00	4.00	5.00
OA	0.51	1.01	1.52	2.03	2.53	OC	1.83	3.67	5.50	7.33	9.17
OB	0.66	1.33	1.99	2.65	3.31	OD	1.06	2.11	3.17	4.23	5.28

	Luminous Intensities [ cd/klm]									
	0	5	15	25	35	45	55	65	75	85
OA	899.23	827.59	562.63	454.88	339.46	235.33	116.02	41.00	4.55	2.32
OB	899.23	895.97	786.04	616.52	450.38	312.57	159.51	62.35	7.27	4.04
OC	899.23	908.33	896.85	849.75	771.78	667.68	542.21	400.12	246.15	85.06
OD	899.23	879.73	813.17	717.38	601.38	474.18	344.79	222.23	115.50	33.62



H[m]	D[m]	Max lux	Med lux	Alpha=32.9°+27.3°	G=-2.0	
1.00	1.17	904	316			
2.00	2.34	226	79			
3.00	3.51	100	35			
4.00	4.68	57	20			
5.00	5.85	36	13			

H[m]	D[m]	Max lux	Med lux	Beta=46.6°+61.4°	G=0.0	
1.00	2.89	904	316			
2.00	5.78	226	79			
3.00	8.67	100	35			
4.00	11.56	57	20			
5.00	14.45	36	13			

# LEDS C4<sup>2</sup>

**Luminaire**

Code 00-4926

Name BRAVO

**Measur.**

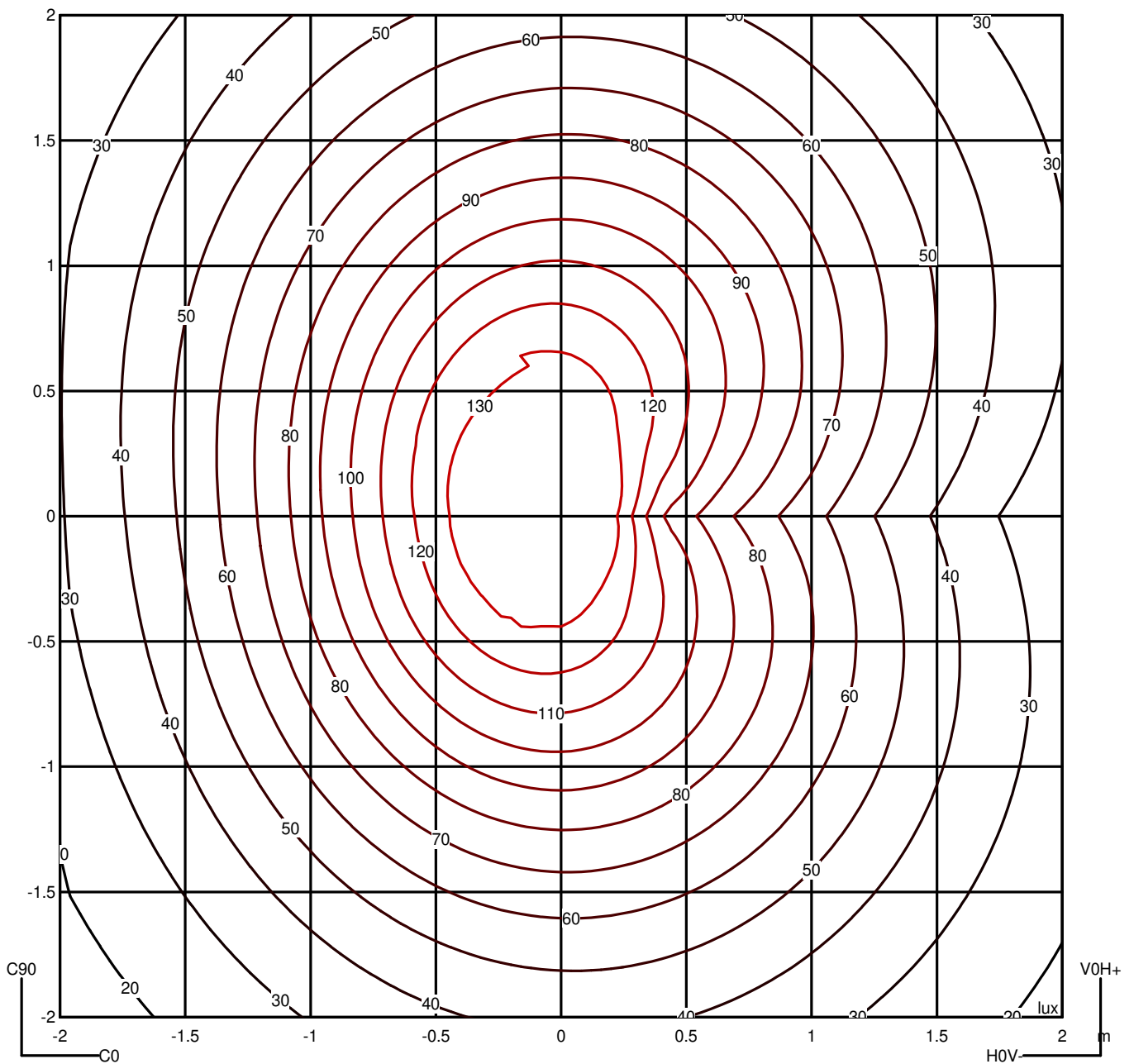
Code 00-4926

Name BRAVO

Luminaire Flux	2489.90 lm	Luminaire Power	42.50 W	Efficacy	58.59 lm/W	Efficiency	58.50%
Sources Flux	4256.00 lm	Maximum value	213.61 cd/klm	Position	C=90.00 G=7.00	CG	Asymmetrical

Isolux (Floor)

Luminaire position X=0.00m Y=0.00m Z=2.50m



# LEDS C4<sup>®</sup>

**Luminaire**

Code 00-4926

Name BRAVO

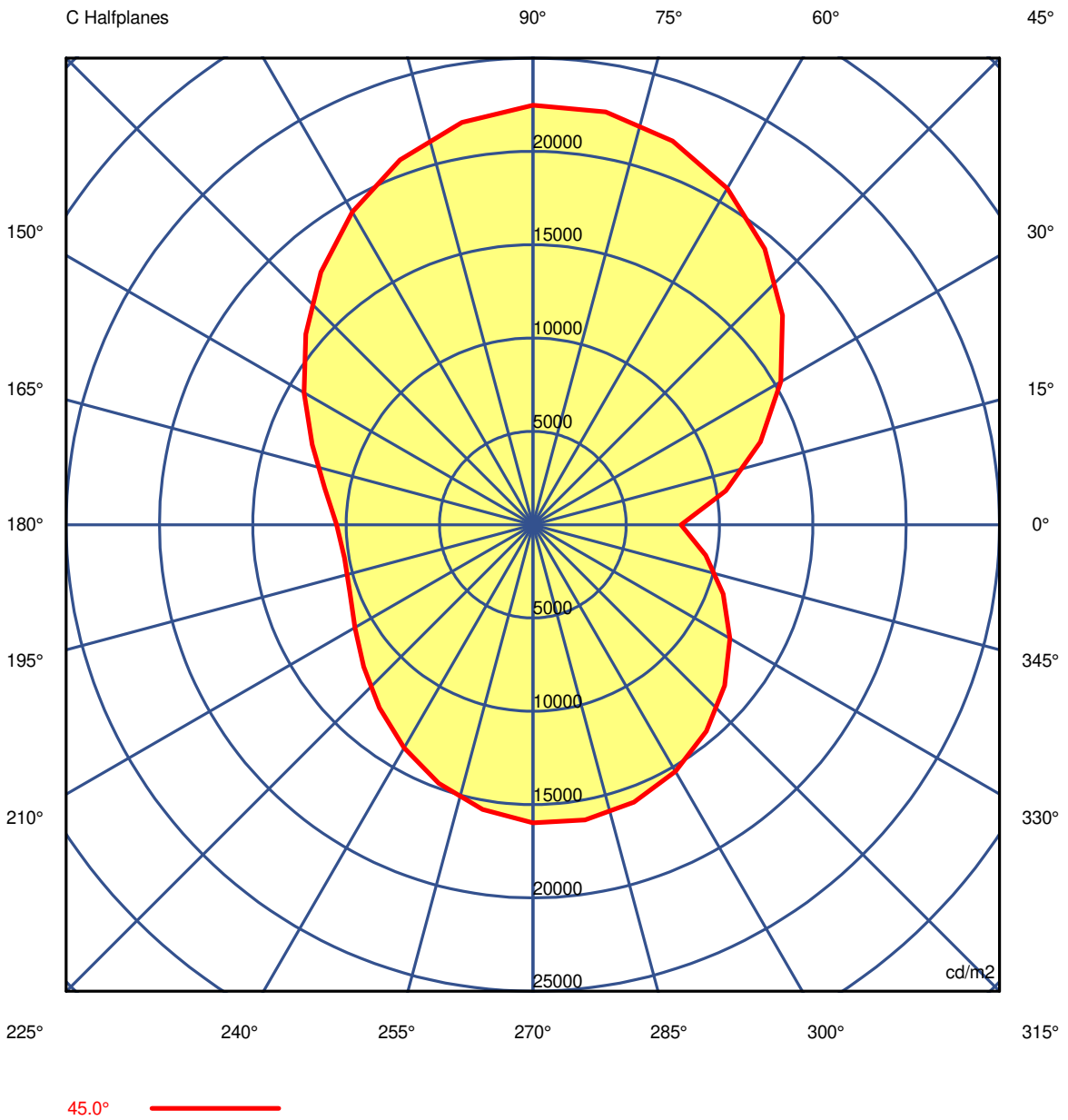
**Measurem.**

Code 00-4926

Name BRAVO

Luminaire Flux	2489.90 lm	Luminaire Power	42.50 W	Efficacy	58.59 lm/W	Efficiency	58.50%
Sources Flux	4256.00 lm	Maximum value	213.61 cd/klm	Position	C=90.00 G=7.00	CG	Asymmetrical

Luminance



# LEDS C4<sup>+</sup>

## Luminaire

Code 00-4926  
Name BRAVO

## Measurement

Code 00-4926  
Name BRAVO

Luminaire Flux	2489.90 lm	Luminaire Power	42.50 W	Efficacy	58.59 lm/W	Efficiency	58.50%
Sources Flux	4256.00 lm	Maximum value	213.61 cd/klm	Position	C=90.00 G=7.00	CG	Asymmetrical

## Luminance cd/m2 Table 1/3

	C 0.00	C 10.00	C 20.00	C 30.00	C 40.00	C 50.00	C 60.00	C 70.00	C 80.00	C 90.00	C 100.00	C 110.00	C 120.00
G 0.0	21410.24	21410.24	21410.24	21410.24	21410.24	21410.24	21410.24	21410.24	21410.24	21410.24	21410.24	21410.24	21410.24
G 5.0	19779.79	20060.58	20336.39	20602.24	20853.17	21084.18	21290.31	21466.57	21607.99	21709.59	21768.32	21788.82	21777.67
G 10.0	15291.36	16284.28	17258.10	18193.75	19072.12	19874.12	20580.67	21172.68	21631.04	21936.68	21789.48	21642.29	21495.10
G 15.0	13868.51	15146.41	16397.13	17593.46	18708.23	19714.24	20584.31	21291.24	21807.85	22106.94	22173.48	22040.97	21755.08
G 20.0	12909.74	14411.75	15878.79	17275.92	18568.17	19720.59	20698.20	21466.07	21989.21	22232.69	22177.68	21870.00	21371.61
G 25.0	11950.11	13675.28	15357.51	16953.86	18421.39	19717.15	20798.22	21621.64	22144.47	22323.78	22136.93	21642.51	20919.41
G 30.0	10900.65	12854.91	14758.34	16560.09	18209.31	19655.18	20846.84	21733.47	22264.21	22388.23	22079.07	21407.74	20469.66
G 35.0	9866.77	12038.08	14151.27	16148.18	17970.70	19560.68	20859.99	21810.51	22354.09	22432.60	22015.99	21186.54	20054.60
G 40.0	8868.07	11242.40	13551.95	15731.92	17717.52	19443.96	20846.45	21860.21	22420.43	22462.34	21952.55	20983.36	19678.47
G 45.0	7923.97	10483.75	12972.87	15320.65	17456.43	19309.55	20809.34	21885.14	22466.27	22482.08	21896.18	20809.39	19356.80
G 50.0	6294.01	9175.12	11975.17	14613.08	17007.78	19078.22	20743.31	21922.01	22533.23	22495.91	21768.59	20468.30	18751.67
G 55.0	4816.06	7987.30	11068.11	13968.11	16596.86	18863.97	20679.02	21951.59	22591.27	22507.66	21654.69	20163.70	18210.41
G 60.0	3619.52	7028.14	10338.62	13452.84	16272.67	18699.98	20636.64	21984.51	22645.47	22521.38	21562.32	19911.22	17759.18
G 65.0	2309.86	5969.39	9523.05	12864.98	15889.33	18490.23	20561.82	21998.23	22693.61	22542.09	21489.81	19690.94	17351.65
G 70.0	983.65	4903.17	8708.67	12286.14	15521.58	18300.96	20510.28	22035.52	22762.66	22577.71	21422.66	19463.66	16922.85
G 75.0	418.57	4477.21	8416.66	12117.75	15461.30	18328.12	20599.02	22154.84	22876.38	22644.47	21398.46	19311.93	16616.98
G 80.0	452.48	4516.67	8462.18	12170.33	15522.45	18399.84	20683.83	22255.74	22996.90	22788.61	21570.03	19511.65	16841.77
G 85.0	633.78	4729.84	8707.06	12446.61	15829.64	18737.33	21050.83	22651.31	23419.92	23237.84	22043.68	20005.97	17350.66
G 90.0	0.00	0.00	0.00	0.00	0.00	0.00	0.00	0.00	0.00	0.00	0.00	0.00	0.00



# LEDS C4<sup>+</sup>

## Luminaire

Code 00-4926

Name BRAVO

## Measurement

Code 00-4926

Name BRAVO

Luminaire Flux	2489.90 lm	Luminaire Power	42.50 W	Efficacy	58.59 lm/W	Efficiency	58.50%
Sources Flux	4256.00 lm	Maximum value	213.61 cd/klm	Position	C=90.00 G=7.00	CG	Asymmetrical

Luminance cd/m2 Table 2/3

	C 130.00	C 140.00	C 150.00	C 160.00	C 170.00	C 180.00	C 190.00	C 200.00	C 210.00	C 220.00	C 230.00	C 240.00	C 250.00
G 0.0	21410.24	21410.24	21410.24	21410.24	21410.24	21410.24	21410.24	21410.24	21410.24	21410.24	21410.24	21410.24	21410.24
G 5.0	21741.45	21686.71	21620.03	21547.99	21477.16	21414.11	21363.68	21323.85	21290.85	21260.92	21230.32	21195.27	21152.02
G 10.0	21347.91	21200.72	21053.53	20906.33	20759.14	20611.95	20606.89	20601.82	20596.75	20591.69	20586.62	20581.56	20576.49
G 15.0	21361.46	20905.77	20433.66	19990.80	19622.84	19375.44	19280.45	19314.51	19440.45	19621.11	19819.30	19997.87	20119.64
G 20.0	20744.47	20050.53	19351.75	18710.10	18187.53	17846.01	17728.73	17803.87	18020.84	18329.07	18677.96	19016.93	19295.40
G 25.0	20046.53	19102.74	18166.96	17318.07	16634.97	16196.54	16057.77	16177.98	16492.60	16937.05	17446.74	17957.09	18403.51
G 30.0	19360.23	18174.85	17008.93	15957.87	15117.07	14581.94	14418.97	14578.96	14983.84	15555.51	16215.86	16886.81	17490.26
G 35.0	18730.53	17324.69	15947.44	14709.13	13720.12	13090.77	12898.05	13085.37	13562.76	14240.23	15027.82	15835.54	16573.43
G 40.0	18161.59	16556.42	14986.66	13576.02	12448.20	11726.91	11498.54	11700.25	12231.86	12993.24	13884.21	14804.61	15654.29
G 45.0	17673.50	15894.59	14155.17	12590.33	11335.17	10524.78	10253.70	10454.21	11018.03	11836.86	12802.44	13806.47	14740.68
G 50.0	16775.31	14695.87	12669.96	10854.23	9405.30	8479.81	8187.19	8448.21	9136.43	10125.43	11288.78	12500.04	13632.79
G 55.0	15970.51	13619.69	11333.67	9288.14	7658.81	6621.36	6298.56	6601.38	7387.85	8515.98	9843.80	11229.33	12530.61
G 60.0	15297.35	12716.83	10208.77	7964.27	6174.46	5030.48	4665.96	4984.66	5832.86	7056.83	8502.85	10017.19	11446.14
G 65.0	14678.12	11876.50	9152.98	6713.72	4764.90	3512.68	3101.39	3427.95	4327.44	5634.91	7185.46	8814.15	10356.05
G 70.0	14022.41	10984.49	8031.24	5384.83	3267.42	1901.17	1441.72	1778.70	2735.20	4134.33	5799.21	7552.93	9218.61
G 75.0	13545.73	10330.29	7202.76	4395.26	2139.90	668.79	144.92	454.75	1415.66	2844.97	4560.06	6378.26	8116.93
G 80.0	13788.70	10580.76	7446.25	4613.49	2310.79	766.47	141.68	329.04	1154.03	2442.10	4018.72	5709.37	7339.52
G 85.0	14303.72	11091.13	7938.86	5072.88	2719.16	1103.66	386.68	465.76	1172.76	2339.54	3797.95	5379.86	6917.12
G 90.0	0.00	0.00	0.00	0.00	0.00	0.00	0.00	0.00	0.00	0.00	0.00	0.00	0.00

# LEDS C4<sup>®</sup>

## Luminaire

Code 00-4926

Name BRAVO

## Measurem.

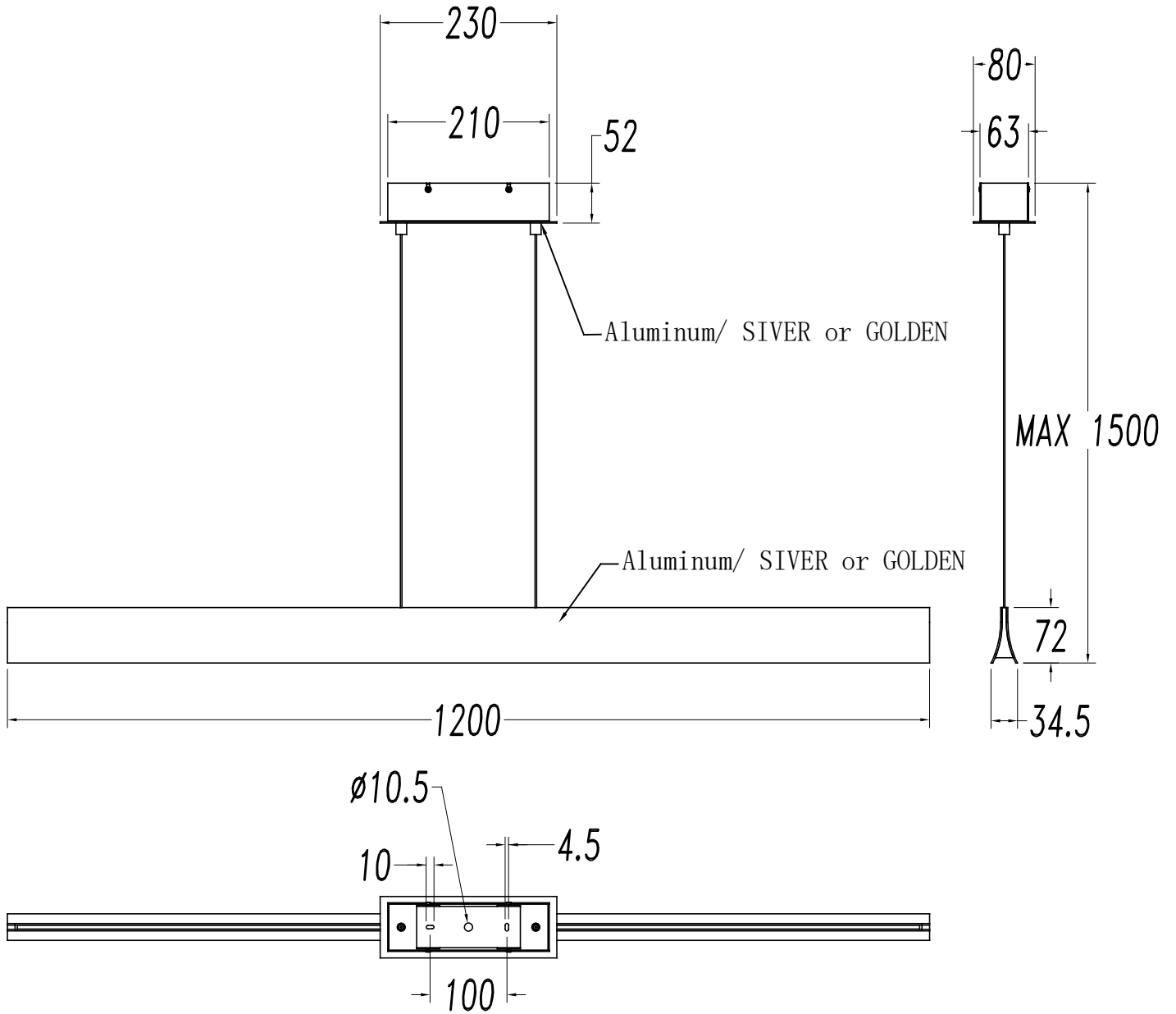
Code 00-4926

Name BRAVO

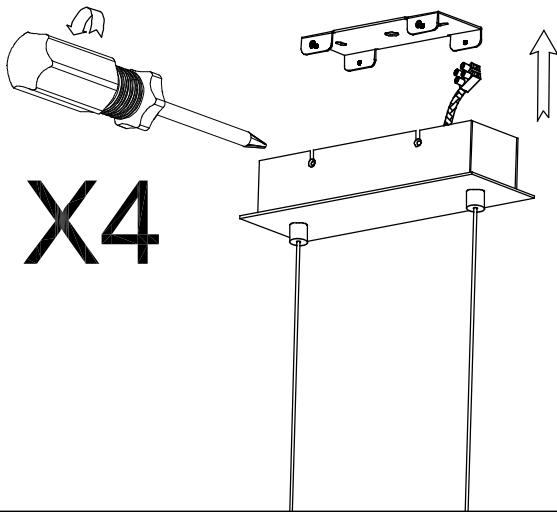
Luminaire Flux	2489.90 lm	Luminaire Power	42.50 W	Efficacy	58.59 lm/W	Efficiency	58.50%
Sources Flux	4256.00 lm	Maximum value	213.61 cd/klm	Position	C=90.00 G=7.00	CG	Asymmetrical

Luminance cd/m2 Table 3/3

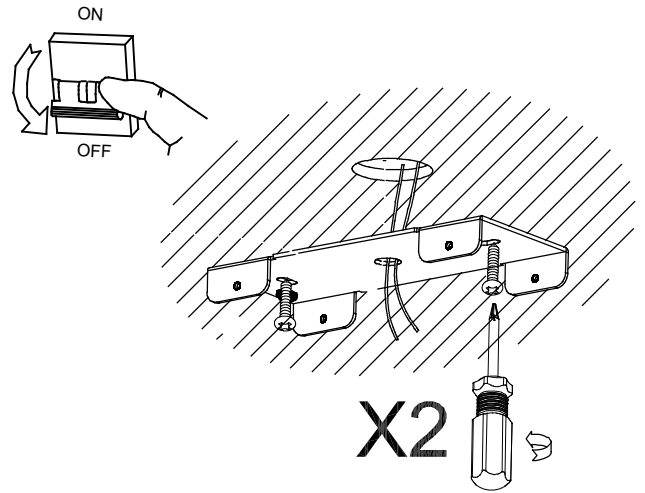
	C 260.00	C 270.00	C 280.00	C 290.00	C 300.00	C 310.00	C 320.00	C 330.00	C 340.00	C 350.00
G 0.0	21410.24	21410.24	21410.24	21410.24	21410.24	21410.24	21410.24	21410.24	21410.24	21410.24
G 5.0	21096.81	21025.89	20936.48	20829.76	20707.90	20573.05	20427.38	20273.06	20112.24	19947.10
G 10.0	20571.42	20566.36	20285.16	19896.35	19413.37	18849.68	18218.72	17533.96	16808.85	16056.83
G 15.0	20147.45	20044.13	19781.82	19369.90	18827.09	18172.08	17423.57	16600.25	15720.84	14804.02
G 20.0	19462.78	19468.50	19274.32	18891.46	18343.52	17654.08	16846.71	15945.02	14972.56	13952.95
G 25.0	18721.43	18846.27	18728.97	18382.63	17835.89	17117.37	16255.69	15279.50	14217.42	13098.08
G 30.0	17948.11	18182.28	18133.26	17815.99	17263.99	16510.81	15589.97	14535.00	13379.43	12156.81
G 35.0	17151.51	17479.79	17489.60	17197.40	16640.94	15857.97	14886.24	13763.50	12527.51	11216.01
G 40.0	16333.09	16740.85	16800.97	16531.14	15972.59	15166.58	14154.34	12977.13	11676.18	10292.75
G 45.0	15496.78	15966.48	16066.87	15816.43	15259.02	14438.50	13398.71	12183.51	10836.75	9402.29
G 50.0	14560.60	15157.04	15325.23	15086.49	14491.68	13591.68	12437.35	11079.55	9569.15	7957.01
G 55.0	13605.65	14312.49	14542.24	14318.50	13697.94	12737.26	11493.15	10022.28	8381.36	6627.05
G 60.0	12635.97	13432.95	13719.11	13519.43	12894.65	11905.48	10612.67	9076.94	7359.01	5519.63
G 65.0	11646.25	12519.80	12850.05	12663.35	12024.32	10997.58	9647.74	8039.44	6237.28	4305.88
G 70.0	10619.34	11578.23	11959.34	11790.47	11140.36	10077.76	8671.42	6990.10	5102.53	3077.46
G 75.0	9593.43	10625.09	11071.35	10959.84	10360.30	9342.44	7975.98	6330.65	4476.15	2482.22
G 80.0	8734.62	9720.15	10161.48	10083.61	9551.44	8629.87	7383.79	5878.11	4177.74	2347.56
G 85.0	8241.60	9185.16	9617.84	9562.46	9080.03	8231.56	7078.05	5680.51	4099.94	2397.37
G 90.0	0.00	0.00	0.00	0.00	0.00	0.00	0.00	0.00	0.00	0.00



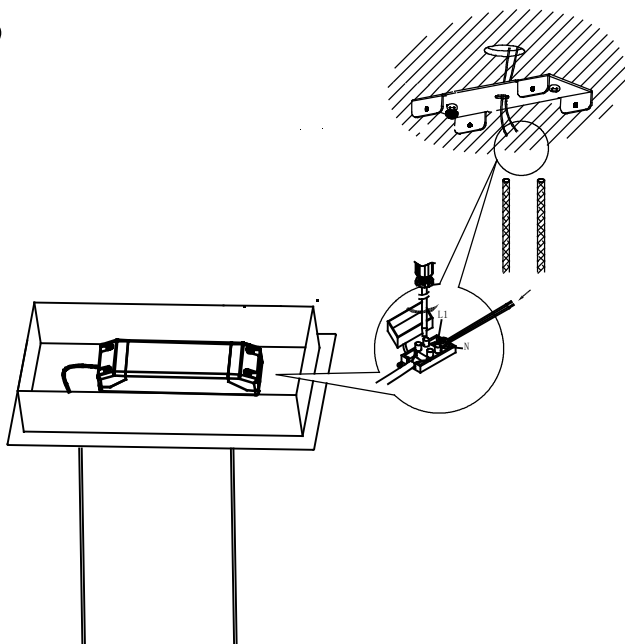
**1**



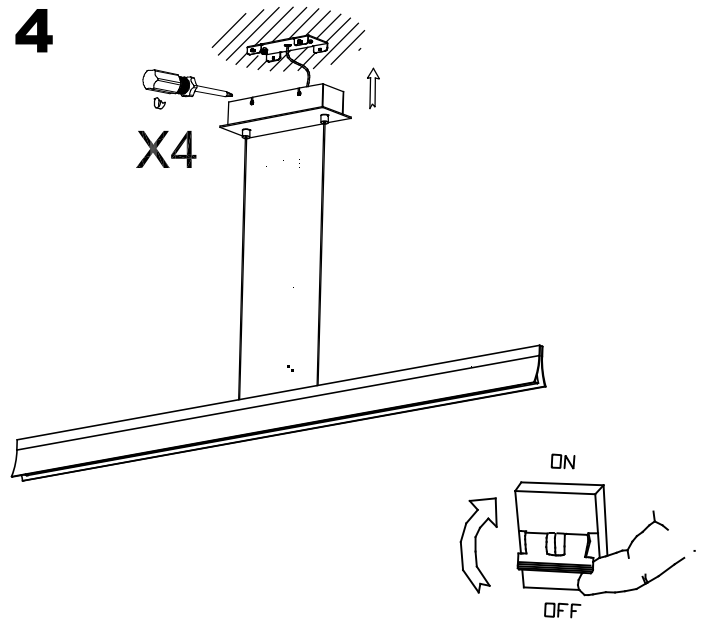
**2**



**3**



**4**



**5**

