

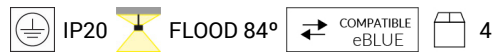
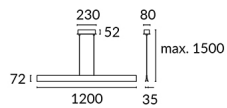
Bravo Pendant

Designer: Manel Llusçà

Description

Pendant Bravo LED 37W 3000K PHASE CUT Gold 3075lm

	Finish	Material
Structure	Gold	Aluminium
Diffuser	Opal	Acrylic



TECHNICAL CHARACTERISTICS

Light source

Light source: LED SAMSUNG
 Light source power (W): 37W
 Luminaire total power (W): 42.2W
 Color temperature: LED warm-white 3000K
 CRI: 80
 Photobiological risk: RG0
 Real Lumen: 3075
 Qty Leds: 184
 Lm/Real W: 73
 Life Time: 50.000h L80B20
 Bin / Grup: VA/VB
 MacAdam steps: 3
 UGR: 17.6
 Luminance C0°65°: 2853
 Luminance 90°65°: 27839.5

Smart Compatible

71-5959-00-00: Casambi
 Control Solution Bluetooth trailing edge dimming

GEAR

Brand: MEANWELL
 Gear included: Yes, electronic
 Voltage / Frequency:
 100-240V/50-60Hz
 Power Factor: 0.90
 Dimming protocol: PHASE CUT

Luminaire

Warranty: 5 Years

Logistics

Energy Efficiency: LED A++
 EAN Code: 8435381426149
 Net Weight (Kg): 1.88
 Weight in Kg (packaged): 2.92
 Packing: 150 x 95 x 1240
 Masterbox: 4

The photograph may not match the reference exactly. Please read the product description to identify the finish.

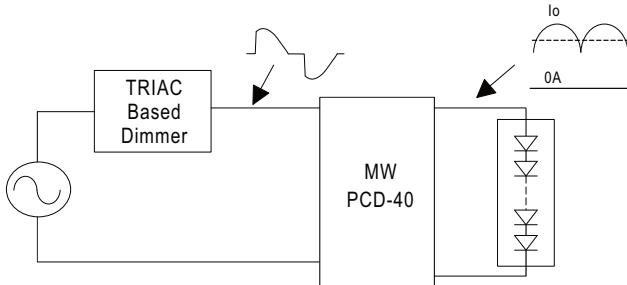
COMPATIBLE



eBLUE:
71-5959-00-00

AC Dimming Operation

⊙ The following diagram depicts a typical installation utilizing the PCD-40 :



Under direct driving, the power supply will work in "constant current mode (CC)" and output voltage of the power supply will be clamped by sum of forward voltage (V_f) of the LED strip.

⊙ Dimmer Compatibility Chart

Manufacturer	Dimmer Model	
LUTRON	SKYLARK SF-12P-277	(277VAC / 60Hz)
LUTRON	DVF-103P-277	(277VAC / 60Hz)
JUNG	Licht-Management 225 TDE	(230VAC / 50Hz)
JUNG	Licht-Management 225 NV DE	(230VAC / 50Hz)
BERKER	Tronic-Drehdimmer 286710	(230-240VAC / 50Hz)
CLIPSAL	32E450UDM	(220-240VAC / 50Hz)
CLIPSAL	NO 32E450TM	(220-240VAC / 50Hz)
CLIPSAL	NO 32E450LM	(220-240VAC / 50Hz)
CLIPSAL	Cat 400T	(230-240VAC / 50Hz)

Conduction angle: 30 degrees(min.) / 180 degrees(max.)

LEDS C4⁺

Luminaire

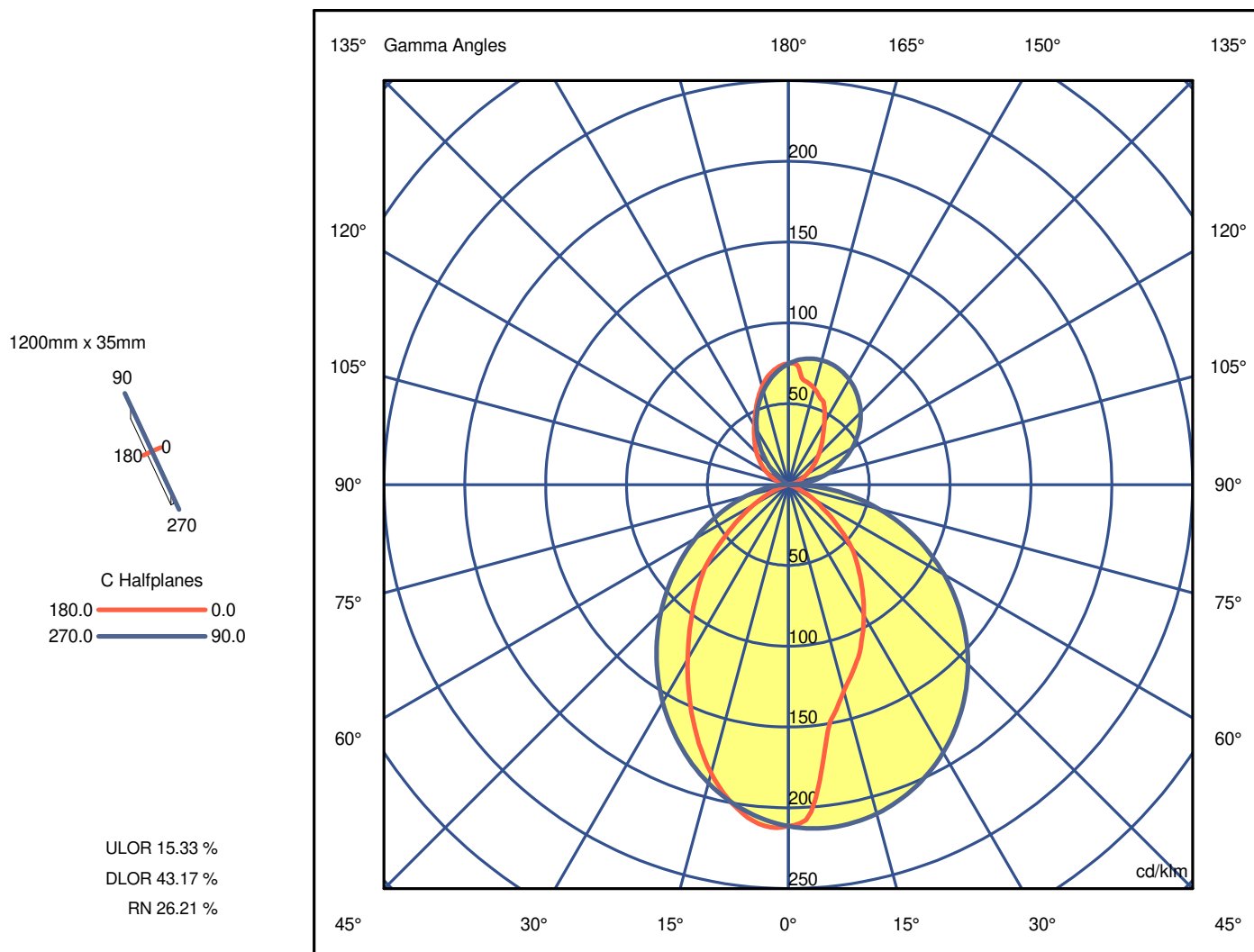
Code 00-4926
Name BRAVO

Measurerm.

Code 00-4926
Name BRAVO

Luminaire Flux	2489.90 lm	Luminaire Power	42.50 W	Efficacy	58.59 lm/W	Efficiency	58.50%
Sources Flux	4256.00 lm	Maximum value	213.61 cd/klm	Position	C=90.00 G=7.00	CG	Asymmetrical
Rectangular Luminaire Rectangular Luminous Area	Length Length	1200 mm 1200 mm	Width Width	35 mm 35 mm	Height Height	72 mm 0 mm	
Horizontal Luminous Area Emitting area on Plane 0° Emitting area on Plane 90°	0.042000 m2 0.000000 m2 0.000000 m2		Emitting area on Plane 180° Emitting area on Plane 270° Glare area at 76°	0.000000 m2 0.000000 m2 0.010161 m2			
Coordinate system Date Measurement Distance	CG 07-02-2015 0.00		Symmetry Type Maximum Gamma Angle Measurement Flux	Asymmetrical 180 4256.00 lm			
Operator Temperature Humidity Notes	25.00 °C 60.00 %		Rated Voltage Rated Current Photocell				

Line		Code LED	Luminaire Lamps Name LED	Flux [lm] 4256.00	Pow. [W] 42.50	Q.ty 1
C.I.E. F UTE	54 83 96 74 59 0.43 D + 0.15 T		D DIN 5040 B NBN	B41 BZ 4		



LEDS C4[®]

Luminaire

Code 00-4926
Name BRAVO

Measur.

Code 00-4926
Name BRAVO

Luminaire Flux	2489.90 lm	Luminaire Power	42.50 W	Efficacy	58.59 lm/W	Efficiency	58.50%
Sources Flux	4256.00 lm	Maximum value	213.61 cd/klm	Position	C=90.00 G=7.00	CG	Asymmetrical

Luminous Intensity Table cd/klm Table 1/3

	C 0.00	C 90.00	C 180.00	C 270.00
G 0.0	211.29	211.29	211.29	211.29
G 1.0	210.65	211.91	211.86	210.56
G 2.0	209.46	212.43	212.37	209.74
G 3.0	207.67	212.86	212.24	208.82
G 4.0	202.86	213.19	211.60	207.81
G 5.0	194.45	213.42	210.52	206.70
G 6.0	184.54	213.56	209.13	205.51
G 7.0	173.67	213.61	207.31	204.23
G 8.0	163.53	213.56	205.19	202.86
G 9.0	154.85	213.42	202.73	201.41
G 10.0	148.61	213.19	200.32	199.87
G 11.0	145.38	212.87	197.55	198.26
G 12.0	142.28	212.47	194.66	196.57
G 13.0	138.68	211.97	191.42	194.81
G 14.0	135.31	211.39	188.24	192.97
G 15.0	132.20	210.73	184.69	191.06
G 16.0	129.54	209.98	181.22	189.09
G 17.0	127.09	209.15	177.36	187.04
G 18.0	124.77	208.23	173.45	184.94
G 19.0	122.21	207.24	169.63	182.77
G 20.0	119.72	206.17	165.49	180.54
G 21.0	117.33	205.02	161.49	178.25
G 22.0	115.37	203.79	157.40	175.90
G 23.0	112.76	202.49	153.22	173.51
G 24.0	109.85	201.11	148.92	171.06
G 25.0	106.88	199.66	144.86	168.56
G 26.0	104.25	198.14	140.69	166.01
G 27.0	101.55	196.54	136.72	163.42
G 28.0	98.67	194.87	132.58	160.78
G 29.0	95.84	193.14	128.66	158.11
G 30.0	93.16	191.34	124.62	155.39
G 31.0	90.43	189.47	120.66	152.64
G 32.0	87.67	187.53	116.87	149.85
G 33.0	85.02	185.53	113.02	147.03
G 34.0	82.28	183.47	109.39	144.18
G 35.0	79.76	181.34	105.82	141.30
G 36.0	77.14	179.15	102.13	138.40
G 37.0	74.62	176.90	98.71	135.47
G 38.0	72.10	174.60	95.22	132.52
G 39.0	69.45	172.23	91.84	129.54
G 40.0	67.04	169.81	88.65	126.55
G 41.0	64.61	167.33	85.42	123.55
G 42.0	62.38	164.80	82.27	120.53
G 43.0	60.07	162.21	79.32	117.50
G 44.0	57.96	159.57	76.28	114.46
G 45.0	55.29	156.88	73.44	111.41
G 46.0	52.22	154.14	69.77	108.36
G 47.0	48.98	151.35	65.64	105.31
G 48.0	46.00	148.51	61.41	102.25
G 49.0	42.80	145.63	57.59	99.20
G 50.0	39.92	142.70	53.79	96.15
G 51.0	37.41	139.72	50.09	93.10
G 52.0	34.78	136.71	46.80	90.06
G 53.0	32.27	133.64	43.51	87.03
G 54.0	29.82	130.54	40.50	84.02
G 55.0	27.26	127.40	37.48	81.01
G 56.0	24.78	124.22	34.67	78.03
G 57.0	23.06	121.00	32.06	75.06
G 58.0	21.33	117.74	29.44	72.11
G 59.0	19.56	114.45	27.12	69.18
G 60.0	17.86	111.13	24.82	66.28
G 61.0	16.28	107.77	22.70	63.41
G 62.0	14.69	104.37	20.51	60.56
G 63.0	13.13	100.95	18.52	57.74
G 64.0	11.46	97.50	16.64	54.96
G 65.0	9.63	94.01	14.65	52.21
G 66.0	8.08	90.50	12.90	49.50
G 67.0	6.87	86.97	11.27	46.83
G 68.0	5.75	83.40	9.65	44.20
G 69.0	4.54	79.82	8.12	41.62
G 70.0	3.32	76.20	6.42	39.08
G 71.0	2.34	72.57	4.84	36.59
G 72.0	1.48	68.92	3.24	34.14

LEDS C4[®]

Luminaire

Code 00-4926
Name BRAVO

Measur.

Code 00-4926
Name BRAVO

Luminaire Flux	2489.90 lm	Luminaire Power	42.50 W	Efficacy	58.59 lm/W	Efficiency	58.50%
Sources Flux	4256.00 lm	Maximum value	213.61 cd/klm	Position	C=90.00 G=7.00	CG	Asymmetrical

Luminous Intensity Table cd/klm Table 2/3

	C 0.00	C 90.00	C 180.00	C 270.00
G 73.0	1.19	65.24	2.00	31.75
G 74.0	1.15	61.55	1.76	29.42
G 75.0	1.07	57.84	1.71	27.14
G 76.0	1.02	54.11	1.60	24.92
G 77.0	1.01	50.37	1.60	22.76
G 78.0	0.94	46.61	1.53	20.66
G 79.0	0.85	42.84	1.40	18.62
G 80.0	0.78	39.05	1.31	16.66
G 81.0	0.74	35.26	1.27	14.76
G 82.0	0.68	31.45	1.20	12.93
G 83.0	0.61	27.64	1.06	11.18
G 84.0	0.57	23.82	1.03	9.50
G 85.0	0.55	19.99	0.95	7.90
G 86.0	0.51	16.15	0.88	6.38
G 87.0	0.48	12.31	0.78	4.94
G 88.0	0.46	8.47	0.75	3.58
G 89.0	0.46	4.63	0.70	2.31
G 90.0	0.40	0.78	0.67	1.13
G 91.0	0.52	2.35	0.80	0.04
G 92.0	0.59	3.92	0.90	0.00
G 93.0	0.70	5.49	1.03	0.00
G 94.0	0.87	7.06	1.21	0.00
G 95.0	1.11	8.63	1.45	0.00
G 96.0	1.33	10.19	1.72	0.00
G 97.0	1.66	11.75	2.06	0.00
G 98.0	1.98	13.31	2.43	0.00
G 99.0	2.30	14.86	2.84	0.00
G100.0	2.67	16.41	3.28	0.00
G101.0	3.04	17.95	3.71	0.00
G102.0	3.40	19.48	4.18	0.00
G103.0	3.79	21.01	4.64	0.00
G104.0	4.15	22.53	5.16	0.00
G105.0	4.56	24.04	5.66	0.00
G106.0	5.05	25.55	6.20	0.00
G107.0	5.51	27.05	6.75	0.00
G108.0	6.00	28.53	7.36	0.00
G109.0	6.44	30.01	7.94	0.00
G110.0	6.95	31.48	8.55	0.00
G111.0	7.57	32.93	9.17	0.00
G112.0	8.10	34.37	9.88	0.00
G113.0	8.63	35.80	10.51	0.00
G114.0	9.21	37.22	11.18	0.00
G115.0	9.82	38.63	11.94	0.00
G116.0	10.54	40.02	12.65	0.00
G117.0	11.19	41.40	13.36	0.00
G118.0	11.84	42.76	14.09	0.00
G119.0	12.53	44.10	14.91	0.00
G120.0	13.22	45.44	15.64	0.59
G121.0	14.02	46.75	16.38	1.48
G122.0	14.77	48.05	17.14	2.41
G123.0	15.54	49.32	18.00	3.38
G124.0	16.31	50.58	18.75	4.39
G125.0	17.14	51.83	19.53	5.44
G126.0	18.09	53.05	20.39	6.52
G127.0	18.98	54.25	21.17	7.64
G128.0	19.89	55.43	21.94	8.79
G129.0	20.79	56.59	22.82	9.97
G130.0	21.76	57.73	23.61	11.18
G131.0	22.67	58.85	24.41	12.42
G132.0	23.60	59.94	25.21	13.68
G133.0	24.59	61.01	26.03	14.97
G134.0	25.57	62.06	26.96	16.28
G135.0	26.53	63.08	27.79	17.62
G136.0	27.55	64.08	28.60	18.97
G137.0	28.52	65.05	29.54	20.34
G138.0	29.55	66.00	30.41	21.73
G139.0	30.55	66.92	31.27	23.14
G140.0	31.56	67.81	32.15	24.56
G141.0	32.65	68.67	33.13	25.99
G142.0	33.74	69.51	34.05	27.43
G143.0	34.95	70.32	34.97	28.88
G144.0	36.14	71.10	35.93	30.34
G145.0	37.38	71.84	36.88	31.81

LEDS C4[®]

Luminaire

Code 00-4926

Name BRAVO

Measurem.

Code 00-4926

Name BRAVO

Luminaire Flux	2489.90 lm	Luminaire Power	42.50 W	Efficacy	58.59 lm/W	Efficiency	58.50%
Sources Flux	4256.00 lm	Maximum value	213.61 cd/klm	Position	C=90.00 G=7.00	CG	Asymmetrical

Luminous Intensity Table cd/klm Table 3/3

	C 0.00	C 90.00	C 180.00	C 270.00
G146.0	38.73	72.56	37.95	33.28
G147.0	40.08	73.25	38.95	34.75
G148.0	41.52	73.90	40.00	36.22
G149.0	43.05	74.53	41.14	37.70
G150.0	44.52	75.12	42.25	39.17
G151.0	46.07	75.67	43.39	40.64
G152.0	47.63	76.20	44.62	42.10
G153.0	49.32	76.68	45.90	43.56
G154.0	50.95	77.14	47.18	45.01
G155.0	52.58	77.56	48.57	46.45
G156.0	54.12	77.94	49.93	47.88
G157.0	55.59	78.28	51.31	49.30
G158.0	56.32	78.59	52.82	50.70
G159.0	56.50	78.86	54.31	52.09
G160.0	57.15	79.09	55.76	53.46
G161.0	58.13	79.29	57.22	54.81
G162.0	59.07	79.44	58.70	56.14
G163.0	60.06	79.56	60.09	57.45
G164.0	60.91	79.63	61.55	58.74
G165.0	61.66	79.66	62.93	60.00
G166.0	62.39	79.65	64.22	61.23
G167.0	63.01	79.60	65.50	62.44
G168.0	63.67	79.51	66.82	63.62
G169.0	64.20	79.37	67.98	64.76
G170.0	64.67	79.19	69.03	65.87
G171.0	65.07	78.97	69.96	66.95
G172.0	65.49	78.70	70.80	67.99
G173.0	66.67	78.38	71.64	69.00
G174.0	69.55	78.02	72.33	69.96
G175.0	72.74	77.61	72.99	70.89
G176.0	74.48	77.16	73.59	71.77
G177.0	75.08	76.65	74.18	72.61
G178.0	75.14	76.10	74.53	73.41
G179.0	75.05	75.50	74.79	74.15
G180.0	74.85	74.85	74.85	74.85

LEDS C4²

Luminaire

Code 00-4926

Name BRAVO

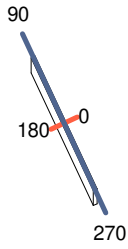
Measur.

Code 00-4926

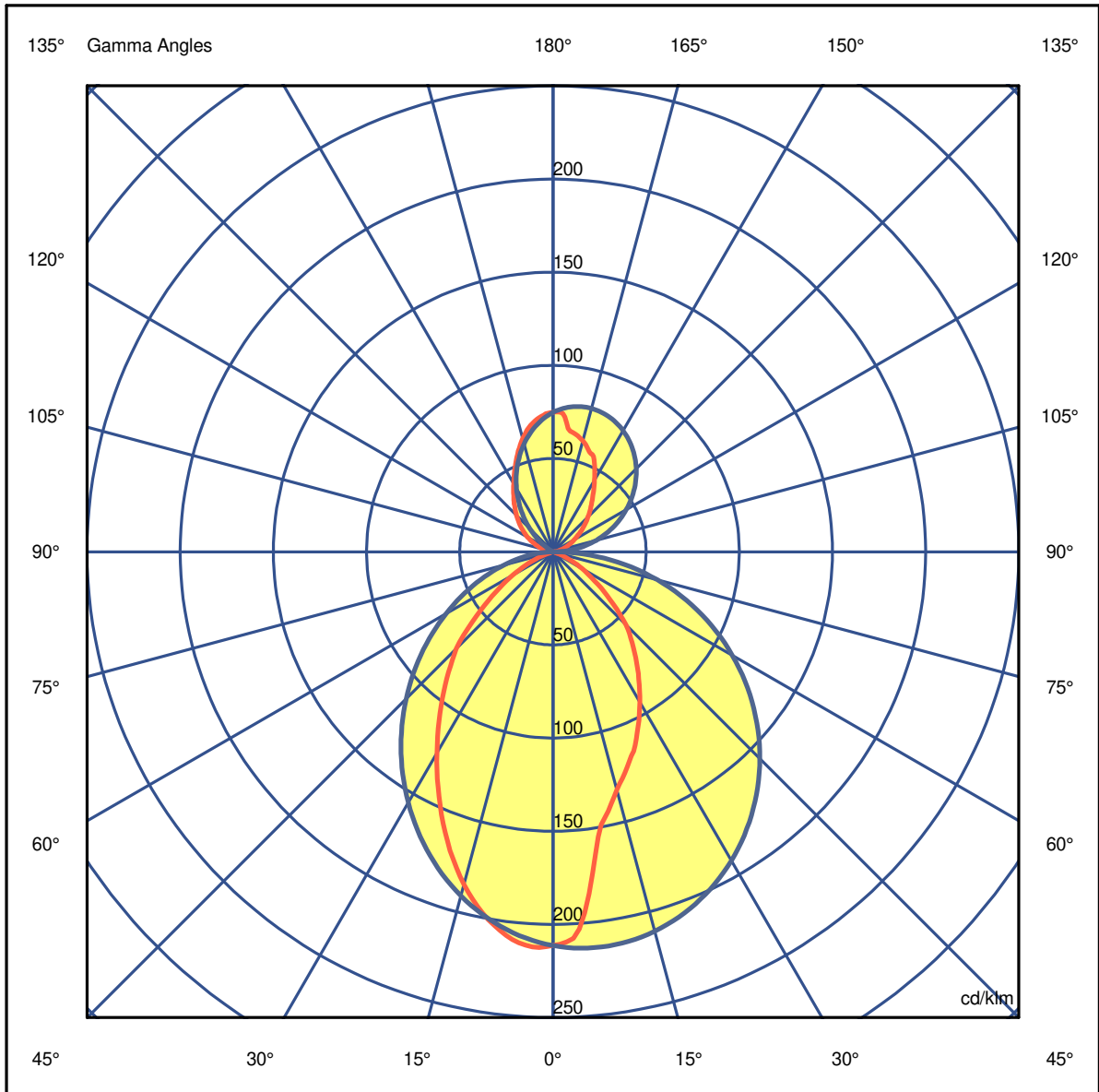
Name BRAVO

Luminaire Flux	2489.90 lm	Luminaire Power	42.50 W	Efficacy	58.59 lm/W	Efficiency	58.50%
Sources Flux	4256.00 lm	Maximum value	213.61 cd/klm	Position	C=90.00 G=7.00	CG	Asymmetrical

1200mm x 35mm



C Halfplanes



LEDS C4[®]

Luminaire

Code 00-4926

Name BRAVO

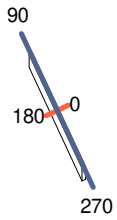
Measur.

Code 00-4926

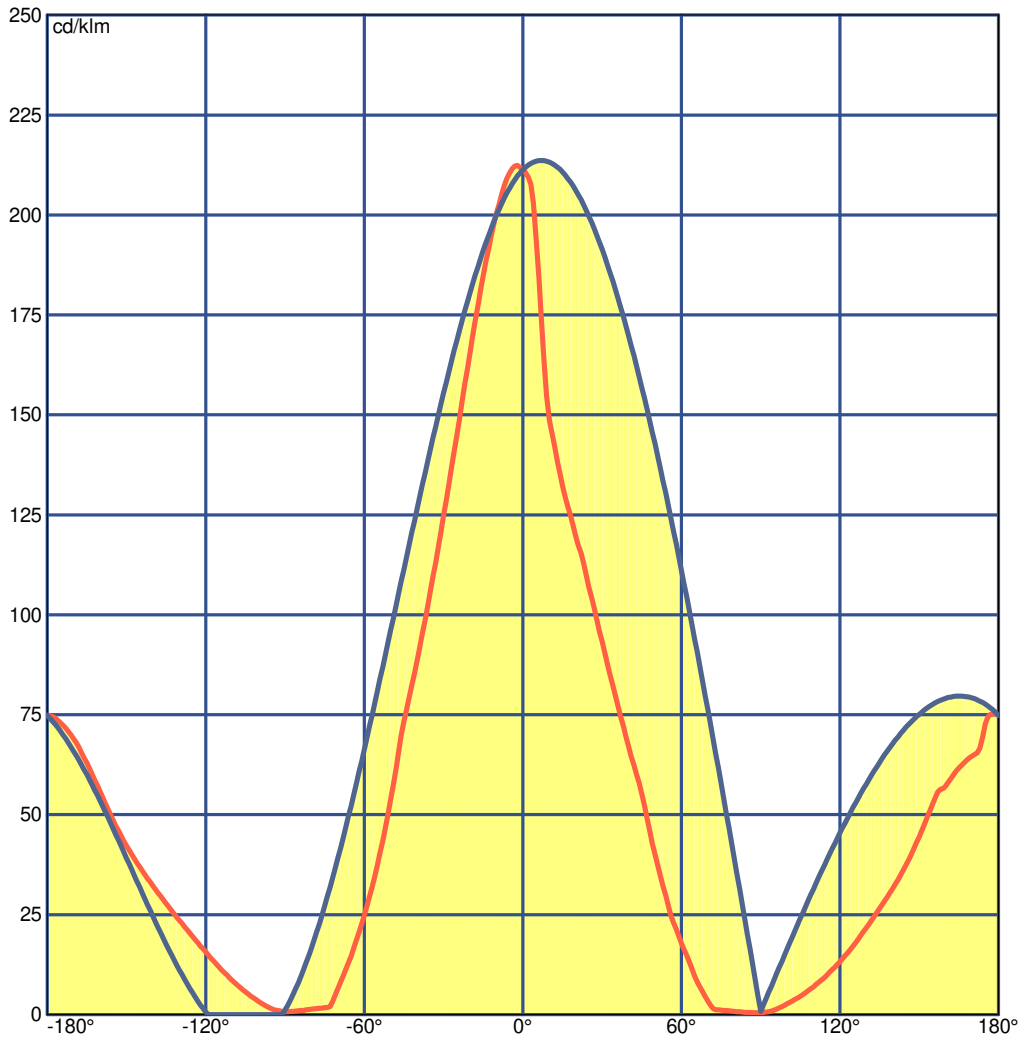
Name BRAVO

Luminaire Flux	2489.90 lm	Luminaire Power	42.50 W	Efficacy	58.59 lm/W	Efficiency	58.50%
Sources Flux	4256.00 lm	Maximum value	213.61 cd/klm	Position	C=90.00 G=7.00	CG	Asymmetrical

1200mm x 35mm



C Halfplanes



LEDS C4[®]

Luminaire

Code 00-4926
Name BRAVO

Measurem.

Code 00-4926
Name BRAVO

Luminaire Flux	2489.90 lm	Luminaire Power	42.50 W	Efficacy	58.59 lm/W	Efficiency	58.50%
Sources Flux	4256.00 lm	Maximum value	213.61 cd/klm	Position	C=90.00 G=7.00	CG	Asymmetrical

UGR
S = 0.250

Reflectancies										
Ceiling/Cavity	0.7	0.7	0.5	0.5	0.3	0.7	0.7	0.5	0.5	0.3
Walls	0.5	0.3	0.5	0.3	0.3	0.5	0.3	0.5	0.3	0.3
WorkingPlane	0.2	0.2	0.2	0.2	0.2	0.2	0.2	0.2	0.2	0.2
RoomDimensions	Viewed Crosswise					Viewed Endwise				
x=2H y=2H	16.8	17.7	17.4	18.3	19.1	19.8	20.8	20.5	21.4	22.1
x=2H y=3H	17.0	17.8	17.6	18.5	19.3	21.2	22.1	21.9	22.8	23.5
x=2H y=4H	16.9	17.7	17.6	18.4	19.2	21.8	22.6	22.5	23.3	24.1
x=2H y=6H	16.8	17.5	17.5	18.2	19.0	22.2	23.0	23.0	23.7	24.5
x=2H y=8H	16.8	17.5	17.5	18.2	19.0	22.4	23.1	23.1	23.8	24.6
x=2H y=12H	16.7	17.4	17.4	18.1	18.9	22.5	23.2	23.2	23.9	24.7
x=4H y=2H	18.1	18.9	18.8	19.5	20.3	20.0	20.8	20.7	21.5	22.3
x=4H y=3H	18.5	19.2	19.2	19.9	20.7	21.6	22.3	22.4	23.0	23.9
x=4H y=4H	18.5	19.1	19.3	19.9	20.7	22.4	23.0	23.1	23.7	24.5
x=4H y=6H	18.5	19.0	19.3	19.8	20.7	23.0	23.5	23.7	24.2	25.1
x=4H y=8H	18.5	19.0	19.3	19.7	20.7	23.2	23.6	24.0	24.4	25.3
x=4H y=12H	18.5	18.9	19.2	19.7	20.6	23.3	23.8	24.1	24.5	25.5
x=8H y=4H	19.5	19.9	20.2	20.7	21.6	22.4	22.9	23.2	23.6	24.6
x=8H y=6H	19.6	20.0	20.4	20.8	21.8	23.1	23.5	23.9	24.3	25.2
x=8H y=8H	19.7	20.0	20.5	20.8	21.8	23.4	23.7	24.2	24.5	25.5
x=8H y=12H	19.7	19.9	20.5	20.8	21.8	23.7	23.9	24.5	24.8	25.8
x=12H y=4H	19.7	20.1	20.5	20.9	21.8	22.3	22.8	23.1	23.5	24.5
x=12H y=6H	20.0	20.3	20.8	21.1	22.1	23.1	23.4	23.9	24.2	25.2
x=12H y=8H	20.1	20.4	20.9	21.2	22.2	23.4	23.7	24.2	24.5	25.5

LEDS C4²

Luminaire

Code 00-4926

Name BRAVO

Measurement

Code 00-4926

Name BRAVO

Luminaire Flux	2489.90 lm	Luminaire Power	42.50 W	Efficacy	58.59 lm/W	Efficiency	58.50%
Sources Flux	4256.00 lm	Maximum value	213.61 cd/klm	Position	C=90.00 G=7.00	CG	Asymmetrical

Total Flux=4256.00 Luminaire Flux=2489.90

RI	0.60	0.80	1.00	1.25	1.50	2.00	2.50	3.00	4.00	5.00	10.00	20.00
DRR	0.35	0.44	0.51	0.58	0.63	0.71	0.77	0.81	0.85	0.88	0.93	0.97
RC	4	4	4	4	4	4	4	4	4	4	4	4

Zonal Flux per 1000 Lumen

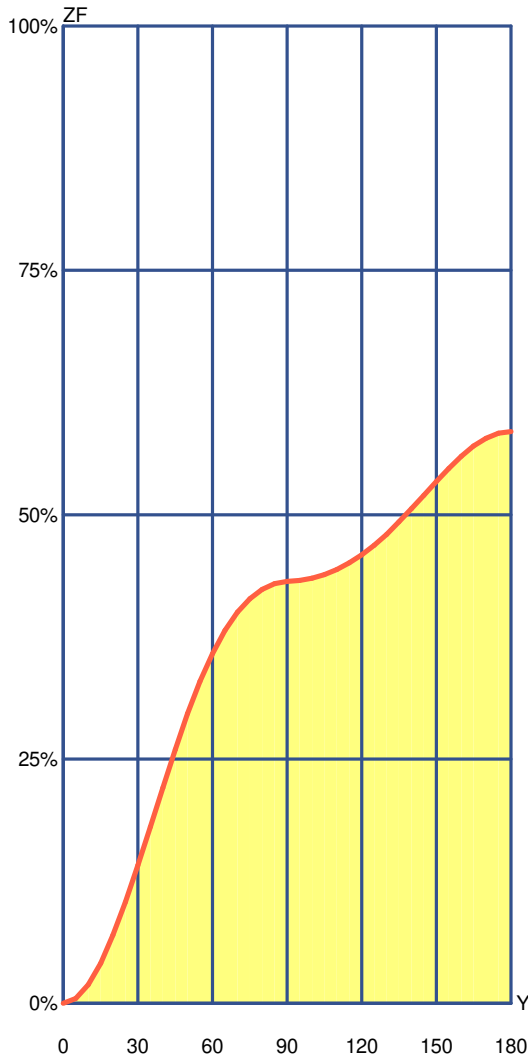
Y°	10	20	30	40	50	60	70	80	90	100	110	120	130	140	150	160	170	180
ZF(Y)	19	70	141	220	297	358	400	424	432	435	444	459	480	506	534	560	578	585

CIE Flux Codes

54 83 96 74 59

C.I.E. 4
D DIN 5040 B41
F UTE 0.43 D + 0.15 T
B NBN BZ 4
RN 26.21216 %
BLF 1.0

LOR 58.50337 %
ULOR 15.33500 %
DLOR 43.16837 %
UFF 26.21216 %
DFF 73.78784 %
FFR 35.52368 %



Gamma °	Zonal Flux			
	Flux	Sum lm	Flux [%]	Sum [%]
0°	0.00	0.00	0.00%	0.00 %
5°	5.01	5.01	0.86 %	0.86 %
10°	14.11	19.12	2.41 %	3.27 %
15°	21.94	41.06	3.75 %	7.02 %
20°	28.63	69.69	4.89 %	11.91 %
25°	33.87	103.55	5.79 %	17.70 %
30°	37.44	140.99	6.40 %	24.10 %
35°	39.44	180.43	6.74 %	30.84 %
40°	40.00	220.44	6.84 %	37.68 %
45°	39.27	259.70	6.71 %	44.39 %
50°	36.81	296.52	6.29 %	50.68 %
55°	32.86	329.38	5.62 %	56.30 %
60°	28.41	357.79	4.86 %	61.16 %
65°	23.72	381.51	4.05 %	65.21 %
70°	18.67	400.17	3.19 %	68.40 %
75°	13.70	413.87	2.34 %	70.74 %
80°	9.72	423.59	1.66 %	72.41 %
85°	5.90	429.49	1.01 %	73.41 %
90°	2.19	431.68	0.37 %	73.79 %
95°	0.89	432.58	0.15 %	73.94 %
100°	2.26	434.84	0.39 %	74.33 %
105°	3.78	438.62	0.65 %	74.97 %
110°	5.30	443.92	0.91 %	75.88 %
115°	6.79	450.71	1.16 %	77.04 %
120°	8.19	458.89	1.40 %	78.44 %
125°	9.74	468.63	1.66 %	80.10 %
130°	11.30	479.93	1.93 %	82.04 %
135°	12.57	492.51	2.15 %	84.18 %
140°	13.46	505.97	2.30 %	86.49 %
145°	13.91	519.88	2.38 %	88.86 %
150°	13.93	533.81	2.38 %	91.24 %
155°	13.46	547.27	2.30 %	93.54 %
160°	12.36	559.62	2.11 %	95.66 %
165°	10.50	570.12	1.79 %	97.45 %
170°	8.05	578.17	1.38 %	98.83 %
175°	5.09	583.26	0.87 %	99.70 %
180°	1.78	585.03	0.30 %	100.00 %

LEDS C4[®]

Luminaire

Code 00-4926
Name BRAVO

Measurem.

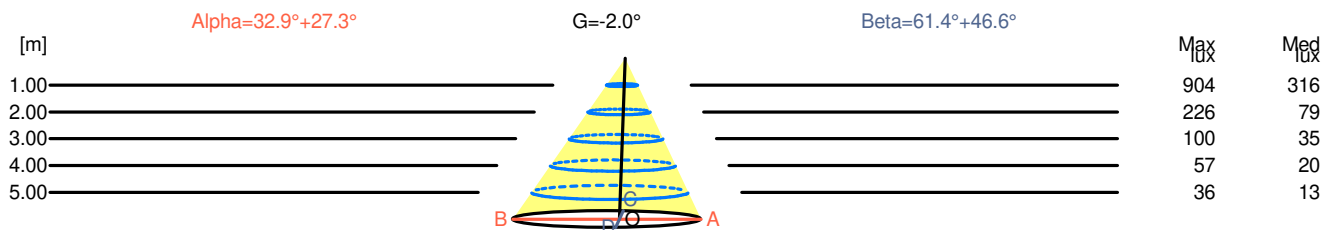
Code 00-4926
Name BRAVO

Luminaire Flux	2489.90 lm	Luminaire Power	42.50 W	Efficacy	58.59 lm/W	Efficiency	58.50%
Sources Flux	4256.00 lm	Maximum value	213.61 cd/klm	Position	C=90.00 G=7.00	CG	Asymmetrical

Width at 50.00 % of Max Intensity

H[m]	1.00	2.00	3.00	4.00	5.00	H[m]	1.00	2.00	3.00	4.00	5.00
OA	0.51	1.01	1.52	2.03	2.53	OC	1.83	3.67	5.50	7.33	9.17
OB	0.66	1.33	1.99	2.65	3.31	OD	1.06	2.11	3.17	4.23	5.28

	Luminous Intensities [cd/klm]									
	0	5	15	25	35	45	55	65	75	85
OA	899.23	827.59	562.63	454.88	339.46	235.33	116.02	41.00	4.55	2.32
OB	899.23	895.97	786.04	616.52	450.38	312.57	159.51	62.35	7.27	4.04
OC	899.23	908.33	896.85	849.75	771.78	667.68	542.21	400.12	246.15	85.06
OD	899.23	879.73	813.17	717.38	601.38	474.18	344.79	222.23	115.50	33.62



H[m]	D[m]	Max lux	Med lux	Alpha=32.9°+27.3°	G=-2.0	
1.00	1.17	904	316			
2.00	2.34	226	79			
3.00	3.51	100	35			
4.00	4.68	57	20			
5.00	5.85	36	13			

H[m]	D[m]	Max lux	Med lux	Beta=46.6°+61.4°	G=0.0	
1.00	2.89	904	316			
2.00	5.78	226	79			
3.00	8.67	100	35			
4.00	11.56	57	20			
5.00	14.45	36	13			

LEDS C4²

Luminaire

Code 00-4926

Name BRAVO

Measur.

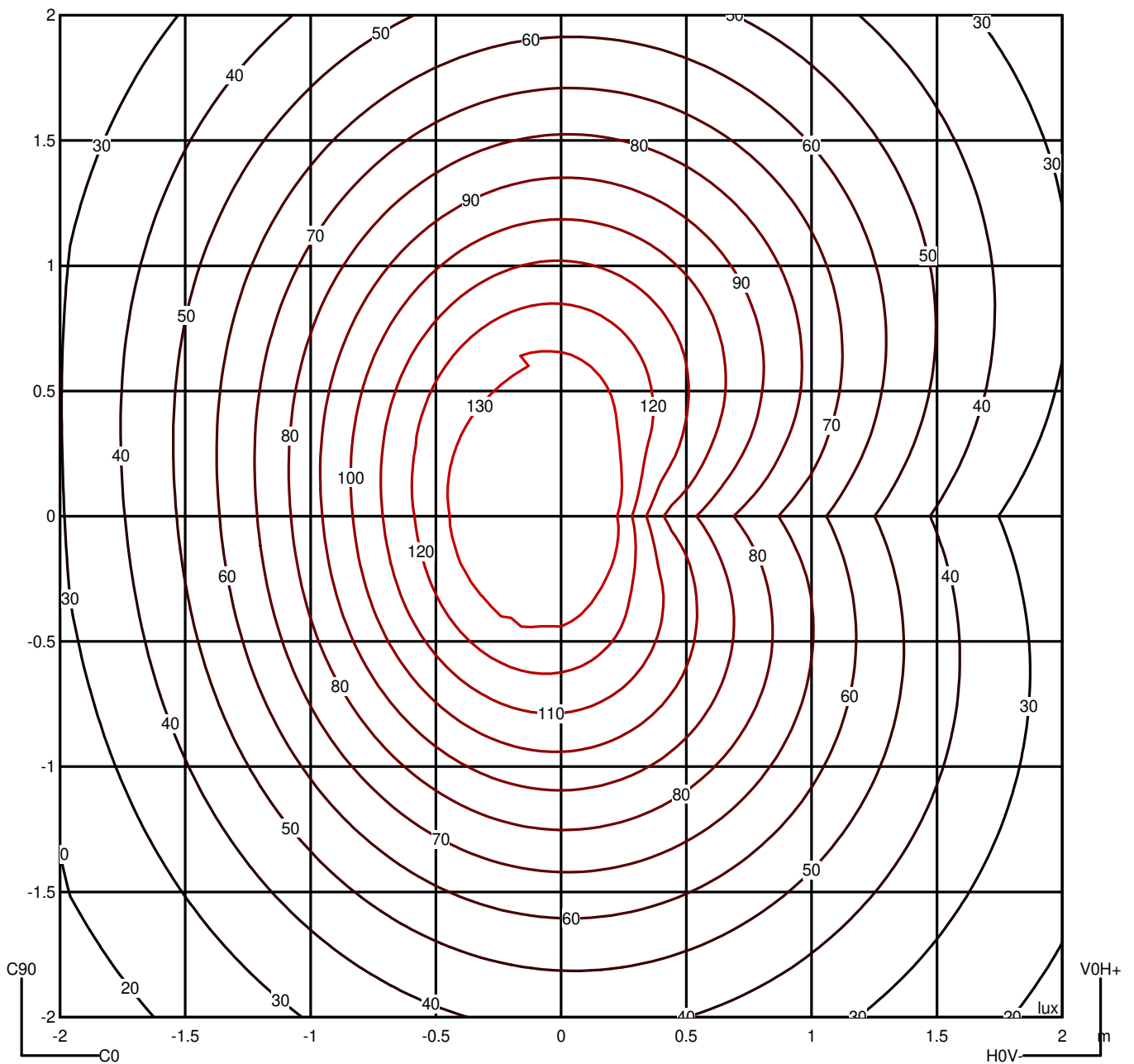
Code 00-4926

Name BRAVO

Luminaire Flux	2489.90 lm	Luminaire Power	42.50 W	Efficacy	58.59 lm/W	Efficiency	58.50%
Sources Flux	4256.00 lm	Maximum value	213.61 cd/klm	Position	C=90.00 G=7.00	CG	Asymmetrical

Isolux (Floor)

Luminaire position X=0.00m Y=0.00m Z=2.50m



LEDS C4[®]

Luminaire

Code 00-4926

Name BRAVO

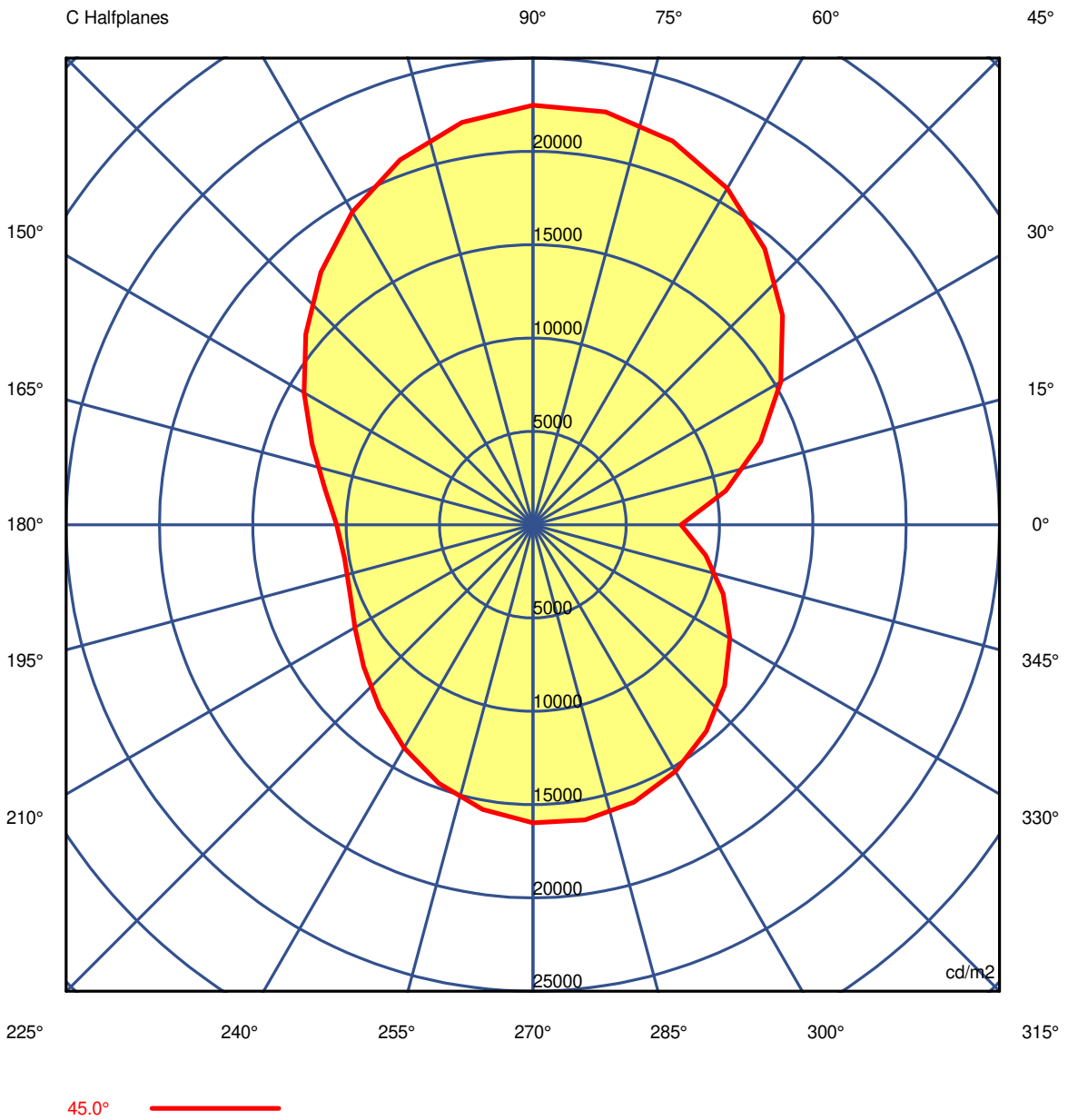
Measurem.

Code 00-4926

Name BRAVO

Luminaire Flux	2489.90 lm	Luminaire Power	42.50 W	Efficacy	58.59 lm/W	Efficiency	58.50%
Sources Flux	4256.00 lm	Maximum value	213.61 cd/klm	Position	C=90.00 G=7.00	CG	Asymmetrical

Luminance



LEDS C4⁺

Luminaire

Code 00-4926
Name BRAVO

Measurement

Code 00-4926
Name BRAVO

Luminaire Flux 2489.90 lm Luminaire Power 42.50 W Efficacy 58.59 lm/W Efficiency 58.50%

Sources Flux 4256.00 lm Maximum value 213.61 cd/klm Position C=90.00 G=7.00 CG Asymmetrical

Luminance cd/m2 Table 1/3

	C 0.00	C 10.00	C 20.00	C 30.00	C 40.00	C 50.00	C 60.00	C 70.00	C 80.00	C 90.00	C 100.00	C 110.00	C 120.00
G 0.0	21410.24	21410.24	21410.24	21410.24	21410.24	21410.24	21410.24	21410.24	21410.24	21410.24	21410.24	21410.24	21410.24
G 5.0	19779.79	20060.58	20336.39	20602.24	20853.17	21084.18	21290.31	21466.57	21607.99	21709.59	21768.32	21788.82	21777.67
G 10.0	15291.36	16284.28	17258.10	18193.75	19072.12	19874.12	20580.67	21172.68	21631.04	21936.68	21789.48	21642.29	21495.10
G 15.0	13868.51	15146.41	16397.13	17593.46	18708.23	19714.24	20584.31	21291.24	21807.85	22106.94	22173.48	22040.97	21755.08
G 20.0	12909.74	14411.75	15878.79	17275.92	18568.17	19720.59	20698.20	21466.07	21989.21	22232.69	22177.68	21870.00	21371.61
G 25.0	11950.11	13675.28	15357.51	16953.86	18421.39	19717.15	20798.22	21621.64	22144.47	22323.78	22136.93	21642.51	20919.41
G 30.0	10900.65	12854.91	14758.34	16560.09	18209.31	19655.18	20846.84	21733.47	22264.21	22388.23	22079.07	21407.74	20469.66
G 35.0	9866.77	12038.08	14151.27	16148.18	17970.70	19560.68	20859.99	21810.51	22354.09	22432.60	22015.99	21186.54	20054.60
G 40.0	8868.07	11242.40	13551.95	15731.92	17717.52	19443.96	20846.45	21860.21	22420.43	22462.34	21952.55	20983.36	19678.47
G 45.0	7923.97	10483.75	12972.87	15320.65	17456.43	19309.55	20809.34	21885.14	22466.27	22482.08	21896.18	20809.39	19356.80
G 50.0	6294.01	9175.12	11975.17	14613.08	17007.78	19078.22	20743.31	21922.01	22533.23	22495.91	21768.59	20468.30	18751.67
G 55.0	4816.06	7987.30	11068.11	13968.11	16596.86	18863.97	20679.02	21951.59	22591.27	22507.66	21654.69	20163.70	18210.41
G 60.0	3619.52	7028.14	10338.62	13452.84	16272.67	18699.98	20636.64	21984.51	22645.47	22521.38	21562.32	19911.22	17759.18
G 65.0	2309.86	5969.39	9523.05	12864.98	15889.33	18490.23	20561.82	21998.23	22693.61	22542.09	21489.81	19690.94	17351.65
G 70.0	983.65	4903.17	8708.67	12286.14	15521.58	18300.96	20510.28	22035.52	22762.66	22577.71	21422.66	19463.66	16922.85
G 75.0	418.57	4477.21	8416.66	12117.75	15461.30	18328.12	20599.02	22154.84	22876.38	22644.47	21398.46	19311.93	16616.98
G 80.0	452.48	4516.67	8462.18	12170.33	15522.45	18399.84	20683.83	22255.74	22996.90	22788.61	21570.03	19511.65	16841.77
G 85.0	633.78	4729.84	8707.06	12446.61	15829.64	18737.33	21050.83	22651.31	23419.92	23237.84	22043.68	20005.97	17350.66
G 90.0	0.00	0.00	0.00	0.00	0.00	0.00	0.00	0.00	0.00	0.00	0.00	0.00	0.00

LEDS C4⁺

Luminaire

Code 00-4926

Name BRAVO

Measurement

Code 00-4926

Name BRAVO

Luminaire Flux 2489.90 lm Luminaire Power 42.50 W Efficacy 58.59 lm/W Efficiency 58.50%

Sources Flux 4256.00 lm Maximum value 213.61 cd/klm Position C=90.00 G=7.00 CG Asymmetrical

Luminance cd/m2 Table 2/3

	C 130.00	C 140.00	C 150.00	C 160.00	C 170.00	C 180.00	C 190.00	C 200.00	C 210.00	C 220.00	C 230.00	C 240.00	C 250.00
G 0.0	21410.24	21410.24	21410.24	21410.24	21410.24	21410.24	21410.24	21410.24	21410.24	21410.24	21410.24	21410.24	21410.24
G 5.0	21741.45	21686.71	21620.03	21547.99	21477.16	21414.11	21363.68	21323.85	21290.85	21260.92	21230.32	21195.27	21152.02
G 10.0	21347.91	21200.72	21053.53	20906.33	20759.14	20611.95	20606.89	20601.82	20596.75	20591.69	20586.62	20581.56	20576.49
G 15.0	21361.46	20905.77	20433.66	19990.80	19622.84	19375.44	19280.45	19314.51	19440.45	19621.11	19819.30	19997.87	20119.64
G 20.0	20744.47	20050.53	19351.75	18710.10	18187.53	17846.01	17728.73	17803.87	18020.84	18329.07	18677.96	19016.93	19295.40
G 25.0	20046.53	19102.74	18166.96	17318.07	16634.97	16196.54	16057.77	16177.98	16492.60	16937.05	17446.74	17957.09	18403.51
G 30.0	19360.23	18174.85	17008.93	15957.87	15117.07	14581.94	14418.97	14578.96	14983.84	15555.51	16215.86	16886.81	17490.26
G 35.0	18730.53	17324.69	15947.44	14709.13	13720.12	13090.77	12898.05	13085.37	13562.76	14240.23	15027.82	15835.54	16573.43
G 40.0	18161.59	16556.42	14986.66	13576.02	12448.20	11726.91	11498.54	11700.25	12231.86	12993.24	13884.21	14804.61	15654.29
G 45.0	17673.50	15894.59	14155.17	12590.33	11335.17	10524.78	10253.70	10454.21	11018.03	11836.86	12802.44	13806.47	14740.68
G 50.0	16775.31	14695.87	12669.96	10854.23	9405.30	8479.81	8187.19	8448.21	9136.43	10125.43	11288.78	12500.04	13632.79
G 55.0	15970.51	13619.69	11333.67	9288.14	7658.81	6621.36	6298.56	6601.38	7387.85	8515.98	9843.80	11229.33	12530.61
G 60.0	15297.35	12716.83	10208.77	7964.27	6174.46	5030.48	4665.96	4984.66	5832.86	7056.83	8502.85	10017.19	11446.14
G 65.0	14678.12	11876.50	9152.98	6713.72	4764.90	3512.68	3101.39	3427.95	4327.44	5634.91	7185.46	8814.15	10356.05
G 70.0	14022.41	10984.49	8031.24	5384.83	3267.42	1901.17	1441.72	1778.70	2735.20	4134.33	5799.21	7552.93	9218.61
G 75.0	13545.73	10330.29	7202.76	4395.26	2139.90	668.79	144.92	454.75	1415.66	2844.97	4560.06	6378.26	8116.93
G 80.0	13788.70	10580.76	7446.25	4613.49	2310.79	766.47	141.68	329.04	1154.03	2442.10	4018.72	5709.37	7339.52
G 85.0	14303.72	11091.13	7938.86	5072.88	2719.16	1103.66	386.68	465.76	1172.76	2339.54	3797.95	5379.86	6917.12
G 90.0	0.00	0.00	0.00	0.00	0.00	0.00	0.00	0.00	0.00	0.00	0.00	0.00	0.00

LEDS C4[®]

Luminaire

Code 00-4926

Name BRAVO

Measurem.

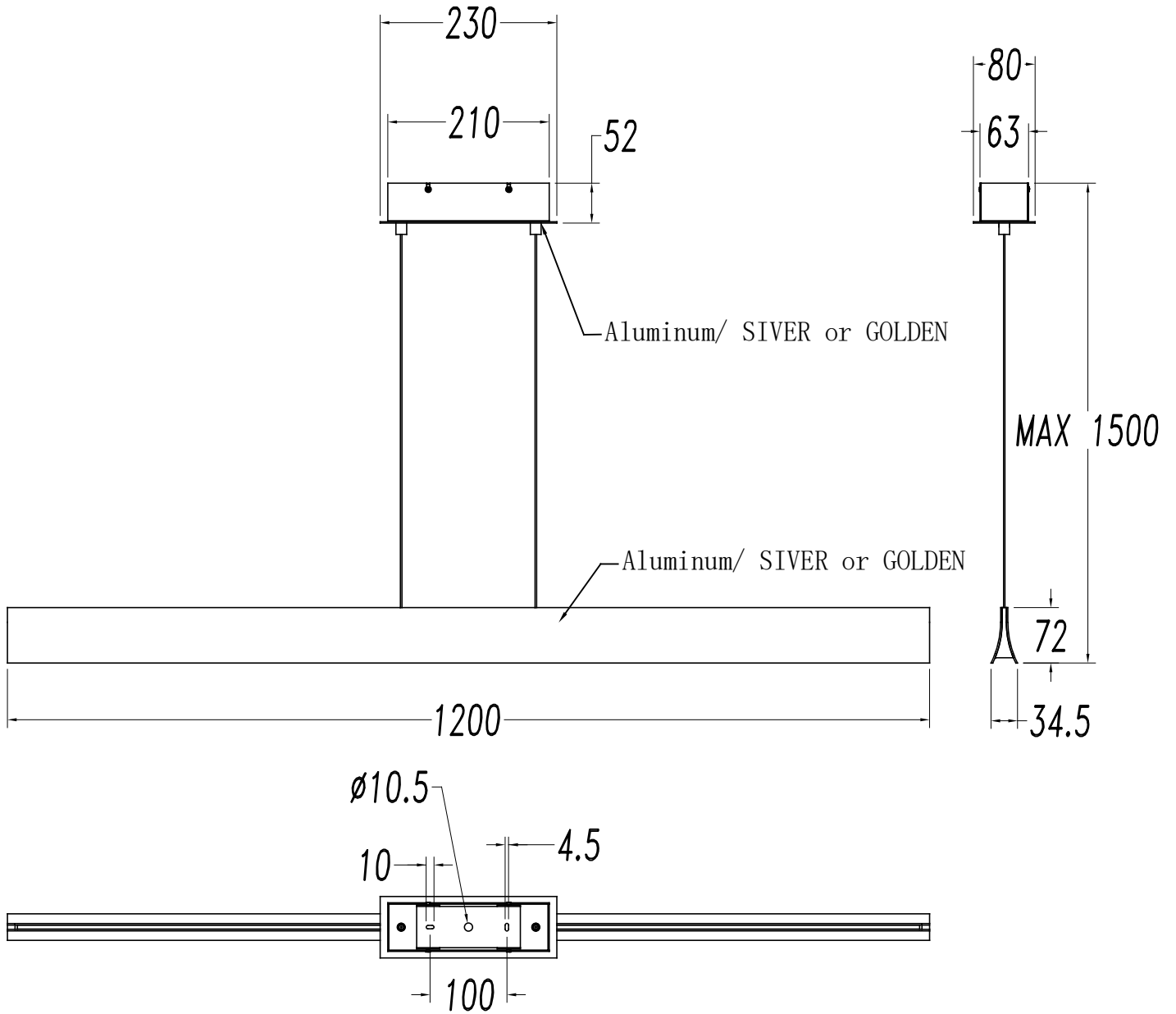
Code 00-4926

Name BRAVO

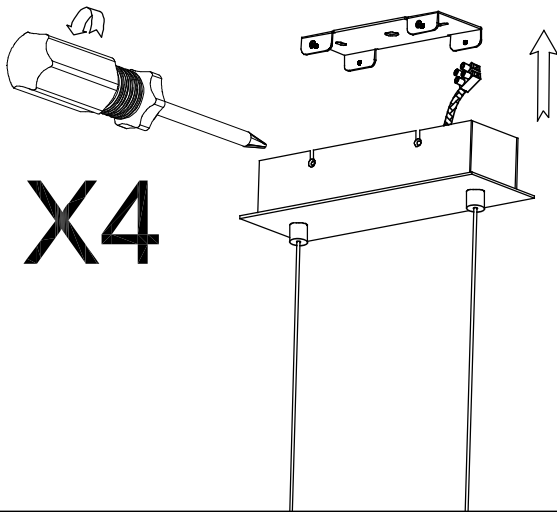
Luminaire Flux	2489.90 lm	Luminaire Power	42.50 W	Efficacy	58.59 lm/W	Efficiency	58.50%
Sources Flux	4256.00 lm	Maximum value	213.61 cd/klm	Position	C=90.00 G=7.00	CG	Asymmetrical

Luminance cd/m2 Table 3/3

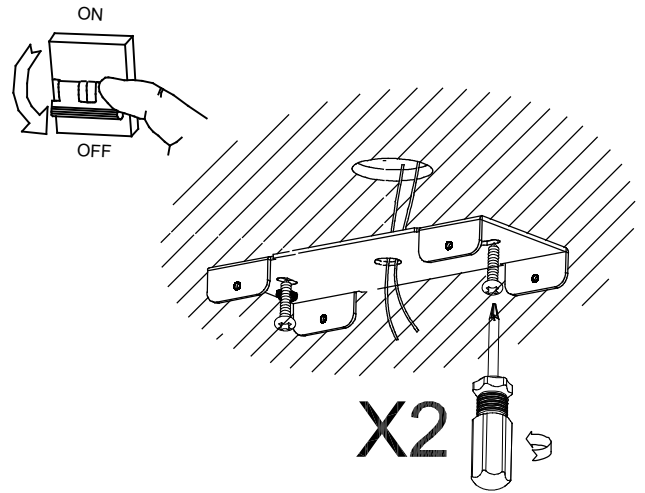
	C 260.00	C 270.00	C 280.00	C 290.00	C 300.00	C 310.00	C 320.00	C 330.00	C 340.00	C 350.00
G 0.0	21410.24	21410.24	21410.24	21410.24	21410.24	21410.24	21410.24	21410.24	21410.24	21410.24
G 5.0	21096.81	21025.89	20936.48	20829.76	20707.90	20573.05	20427.38	20273.06	20112.24	19947.10
G 10.0	20571.42	20566.36	20285.16	19896.35	19413.37	18849.68	18218.72	17533.96	16808.85	16056.83
G 15.0	20147.45	20044.13	19781.82	19369.90	18827.09	18172.08	17423.57	16600.25	15720.84	14804.02
G 20.0	19462.78	19468.50	19274.32	18891.46	18343.52	17654.08	16846.71	15945.02	14972.56	13952.95
G 25.0	18721.43	18846.27	18728.97	18382.63	17835.89	17117.37	16255.69	15279.50	14217.42	13098.08
G 30.0	17948.11	18182.28	18133.26	17815.99	17263.99	16510.81	15589.97	14535.00	13379.43	12156.81
G 35.0	17151.51	17479.79	17489.60	17197.40	16640.94	15857.97	14886.24	13763.50	12527.51	11216.01
G 40.0	16333.09	16740.85	16800.97	16531.14	15972.59	15166.58	14154.34	12977.13	11676.18	10292.75
G 45.0	15496.78	15966.48	16066.87	15816.43	15259.02	14438.50	13398.71	12183.51	10836.75	9402.29
G 50.0	14560.60	15157.04	15325.23	15086.49	14491.68	13591.68	12437.35	11079.55	9569.15	7957.01
G 55.0	13605.65	14312.49	14542.24	14318.50	13697.94	12737.26	11493.15	10022.28	8381.36	6627.05
G 60.0	12635.97	13432.95	13719.11	13519.43	12894.65	11905.48	10612.67	9076.94	7359.01	5519.63
G 65.0	11646.25	12519.80	12850.05	12663.35	12024.32	10997.58	9647.74	8039.44	6237.28	4305.88
G 70.0	10619.34	11578.23	11959.34	11790.47	11140.36	10077.76	8671.42	6990.10	5102.53	3077.46
G 75.0	9593.43	10625.09	11071.35	10959.84	10360.30	9342.44	7975.98	6330.65	4476.15	2482.22
G 80.0	8734.62	9720.15	10161.48	10083.61	9551.44	8629.87	7383.79	5878.11	4177.74	2347.56
G 85.0	8241.60	9185.16	9617.84	9562.46	9080.03	8231.56	7078.05	5680.51	4099.94	2397.37
G 90.0	0.00	0.00	0.00	0.00	0.00	0.00	0.00	0.00	0.00	0.00



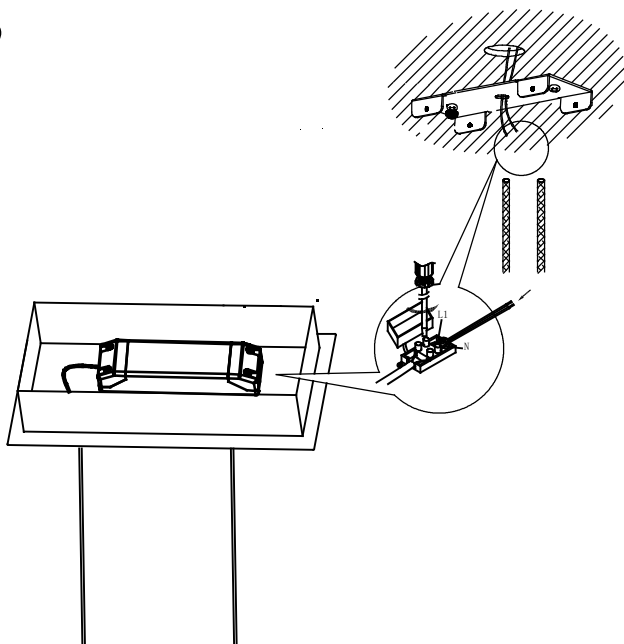
1



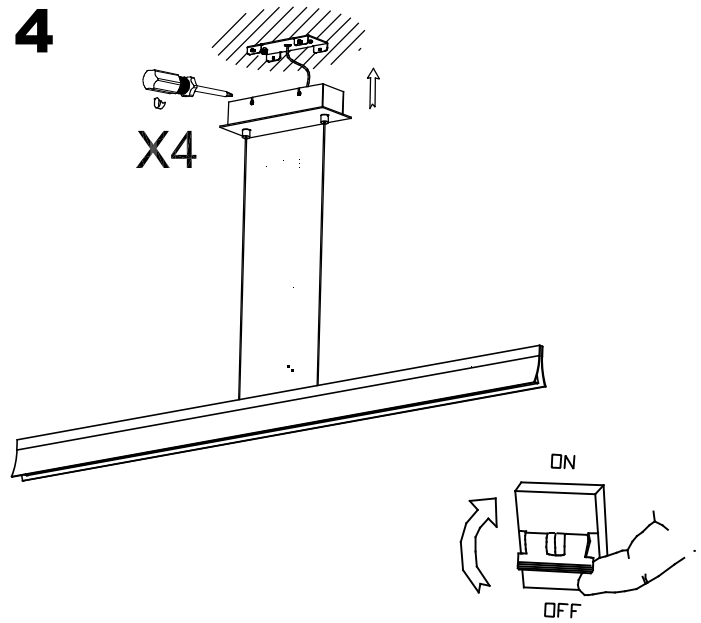
2



3



4



5

