

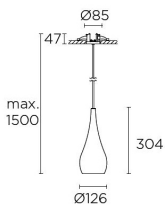
Cherry Recessed C Pendant

Designer: Gemma Bernal

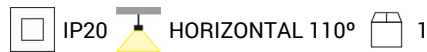
**Description**

Pendant Cherry Recessed C LED 8.6W 3000K White 859lm

| | Finish | Material |
|------------------|-------------|--------------|
| Structure | White | Steel |
| Diffuser | Transparent | Methacrylate |



65

**TECHNICAL CHARACTERISTICS****Light source**

Light source: LED CREE
 Output (W): 8.6W
 Total power consumption (W): 10.2W
 Color temperature: LED warm-white
 3000K
 CRI: 80
 Photobiological risk: RG1
 Real Lumen: 859
 Qty Leds: 1
 Lm/Real W: 84
 Life Time: 50.000h L80B20
 Bin / Grup: 30H
 MacAdam steps: 2
 UGR: 26.5
 Recommended lamp: LED

GEAR

Brand: HEP
 Gear included: Yes, electronic
 Voltage / Frequency:
 100-240V/50-60Hz
 Power Factor: 0.90
 Dimming protocol: ON-OFF

Luminaire

Warranty: 5 Years

Logistics

Energy Efficiency: LED A++
 EAN Code: 8435381491994
 Net Weight (Kg): 1.04
 Weight in Kg (packaged): 1.4
 Packing: 155 x 155 x 415
 Masterbox: 1

The photograph may not match the reference exactly. Please read the product description to identify the finish.

LEDS C4

Luminaria

Código 00-5979-14-14V1
Nombre CHERRY

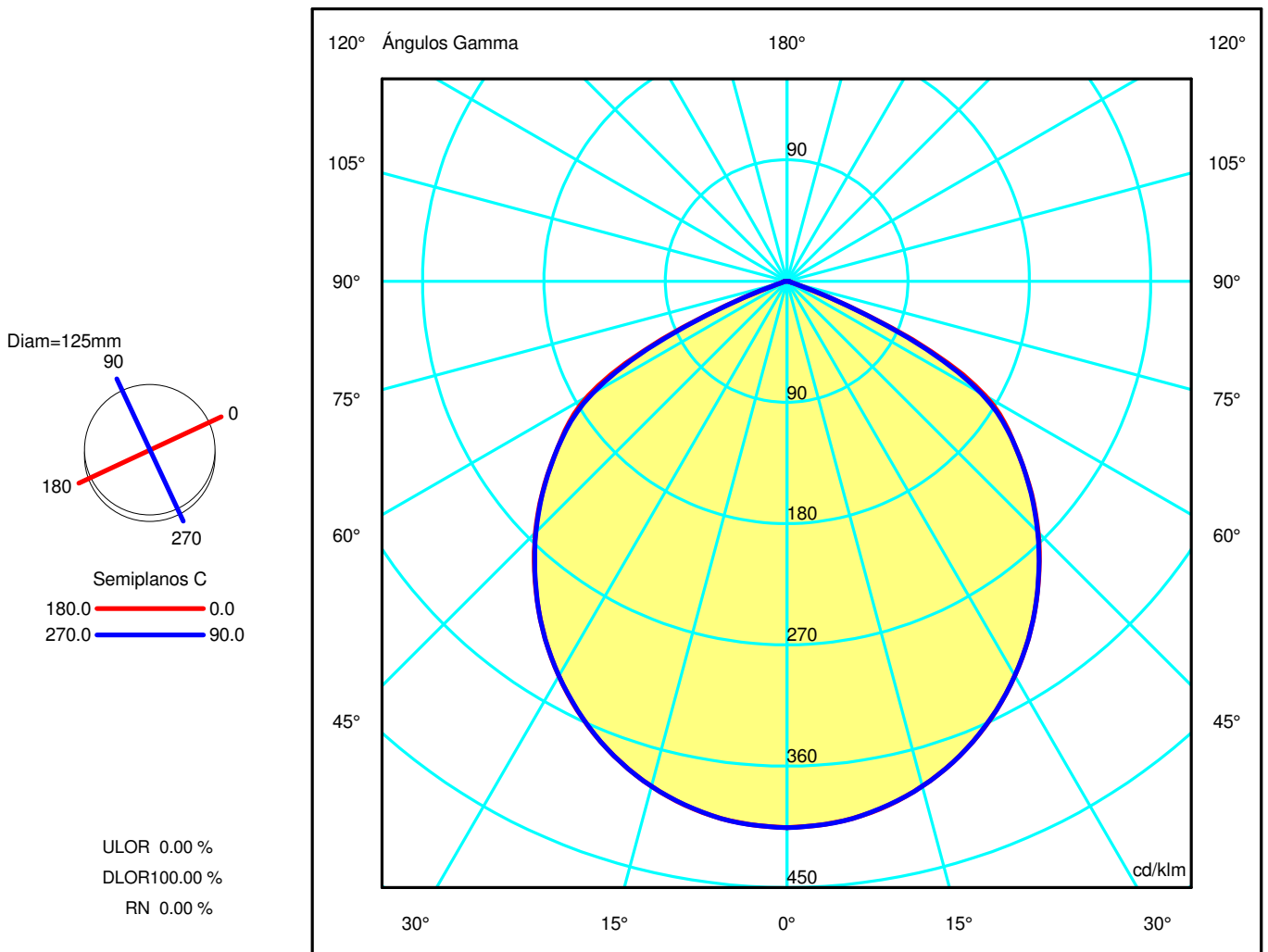
Ensayo

Código 00-5979-14-14V1
Nombre CHERRY

| | | | | | | | |
|---|-----------|---|-----------------|---|----------------|---|-------------|
| Flujo Luminaria | 858.71 lm | Potencia luminaria | 10.21 W | Eficacia | 84.10 lm/W | Eficiencia | 100.00% |
| Flujo de Lámpara | 858.71 lm | Valor Máximo | 405.53 cd/klm | Posición | C=0.00 G=0.00 | CG | Bisimétrico |
| Luminaria Redonda Área Luminosa Redonda | | Diam. Diam. | 125 mm 85 mm | Altura Altura | 175 mm 0 mm | | |
| Área Luminosa Horizontal Área Emisión sobre Pl. 0° Área Emisión sobre Pl. 90° | | 0.005675 m2 0.000000 m2 0.000000 m2 | | Área Emisión sobre Pl. 180° Área Emisión sobre Pl. 270° Área de deslumbramiento a 76° | | 0.000000 m2 0.000000 m2 0.001373 m2 | |
| Sist. de Coorden. Fecha Distancia de Ensayo | | CG 27-09-2017 0.00 | | Tipo de Simetría Máximo Ángulo Gamma Flujo de Ensayo | | Bisimétrico 90 858.71 lm | |
| Operador Temperatura Humedad Notas | | Asselum T2 25.00 °C 60.00 % | | Tensión de alimentación [V] Corriente de alimentación [A] Fotocélula | | | |

Lámparas de la Luminaria

| Familia | Código | Nombre | Flujo [lm] | Pot. [W] | Cant. |
|-----------------|-----------------------------|---------------------|--------------------------|----------|-------|
| | 00-5346-F5-F5V2 | 00-5346-F5-F5V2 | 858.71 | 10.21 | 1 |
| C.I.E. F UTE | 54 89 100 100 100 1.00 D | D DIN 5040 B NBN | A40 BZ 4 / 0.8 / BZ 3 | | |



Luminaria

Código 00-5979-14-14V1

Nombre CHERRY

Ensayo

Código 00-5979-14-14V1

Nombre CHERRY

| | | | | | | | |
|------------------|-----------|--------------------|---------------|----------|---------------|------------|-------------|
| Flujo Luminaria | 858.71 lm | Potencia luminaria | 10.21 W | Eficacia | 84.10 lm/W | Eficiencia | 100.00% |
| Flujo de Lámpara | 858.71 lm | Valor Máximo | 405.53 cd/klm | Posición | C=0.00 G=0.00 | CG | Bisimétrico |

Tabla de Intensidad Luminosa cd/klm Tabla 1/1

| | C 0.00 | C 15.00 | C 30.00 | C 45.00 | C 60.00 | C 75.00 | C 90.00 |
|--------|--------|---------|---------|---------|---------|---------|---------|
| G 0.0 | 405.53 | 405.53 | 405.53 | 405.53 | 405.53 | 405.53 | 405.53 |
| G 5.0 | 403.40 | 403.66 | 403.51 | 403.65 | 403.60 | 403.69 | 403.51 |
| G 10.0 | 397.72 | 398.00 | 397.71 | 397.73 | 397.73 | 397.68 | 397.59 |
| G 15.0 | 388.03 | 388.50 | 388.11 | 388.29 | 388.09 | 388.27 | 387.99 |
| G 20.0 | 374.81 | 375.26 | 374.81 | 374.89 | 374.75 | 374.87 | 374.80 |
| G 25.0 | 358.13 | 358.48 | 358.08 | 358.14 | 357.95 | 358.08 | 358.01 |
| G 30.0 | 338.23 | 338.91 | 338.24 | 338.31 | 338.22 | 338.12 | 338.02 |
| G 35.0 | 315.59 | 316.28 | 315.32 | 315.76 | 315.47 | 315.83 | 315.60 |
| G 40.0 | 290.49 | 291.48 | 290.63 | 290.54 | 290.35 | 290.64 | 290.08 |
| G 45.0 | 263.65 | 264.78 | 263.27 | 263.51 | 263.15 | 263.22 | 263.04 |
| G 50.0 | 234.45 | 234.75 | 234.06 | 234.22 | 234.20 | 234.32 | 233.98 |
| G 55.0 | 203.98 | 205.36 | 203.70 | 203.67 | 203.63 | 203.95 | 203.58 |
| G 60.0 | 170.11 | 169.42 | 166.89 | 168.63 | 166.23 | 169.60 | 166.36 |
| G 65.0 | 102.93 | 105.39 | 98.74 | 99.71 | 97.80 | 102.06 | 99.03 |
| G 70.0 | 21.86 | 21.32 | 19.99 | 17.53 | 20.43 | 19.38 | 21.19 |
| G 75.0 | 3.50 | 3.07 | 3.22 | 3.01 | 3.11 | 2.88 | 3.12 |
| G 80.0 | 2.30 | 2.38 | 2.32 | 2.35 | 2.32 | 2.32 | 2.31 |
| G 85.0 | 1.41 | 1.49 | 1.46 | 1.47 | 1.49 | 1.45 | 1.49 |
| G 90.0 | 0.75 | 0.75 | 0.74 | 0.74 | 0.74 | 0.75 | 0.76 |

LEDS C4[®]

Luminaria

Código 00-5979-14-14V1
Nombre CHERRY

Ensayo

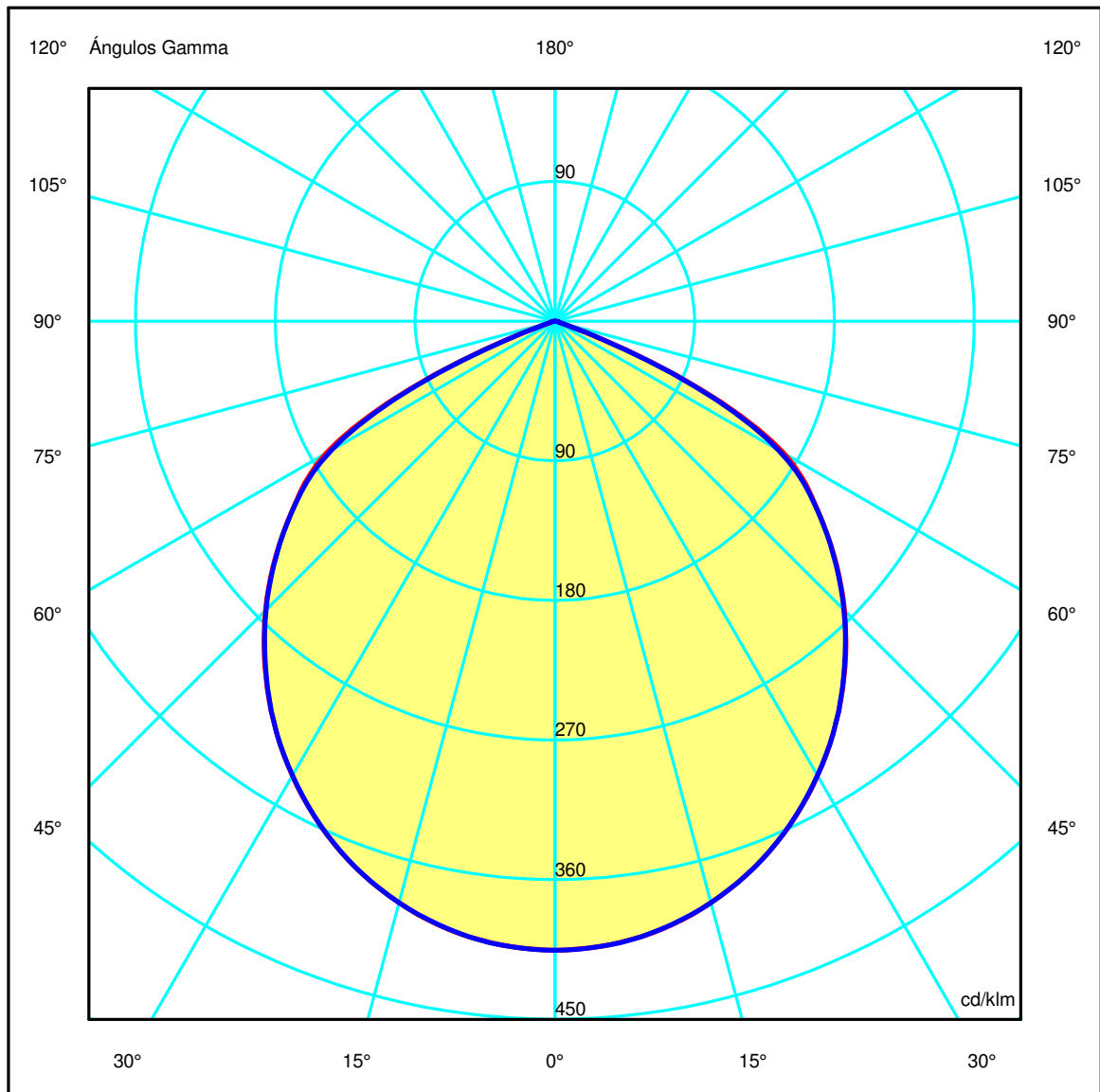
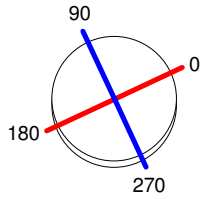
Código 00-5979-14-14V1
Nombre CHERRY

| | | | | | | | |
|------------------|-----------|--------------------|---------------|----------|---------------|------------|-------------|
| Flujo Luminaria | 858.71 lm | Potencia luminaria | 10.21 W | Eficacia | 84.10 lm/W | Eficiencia | 100.00% |
| Flujo de Lámpara | 858.71 lm | Valor Máximo | 405.53 cd/klm | Posición | C=0.00 G=0.00 | CG | Bisimétrico |

Diam=125mm

Semiplanos C

180.0 ——— 0.0
270.0 ——— 90.0



LEDS C4[®]

Luminaria

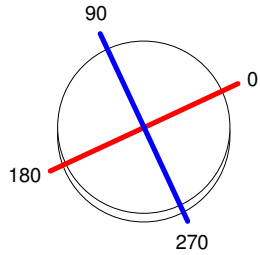
Código 00-5979-14-14V1
Nombre CHERRY

Ensayo

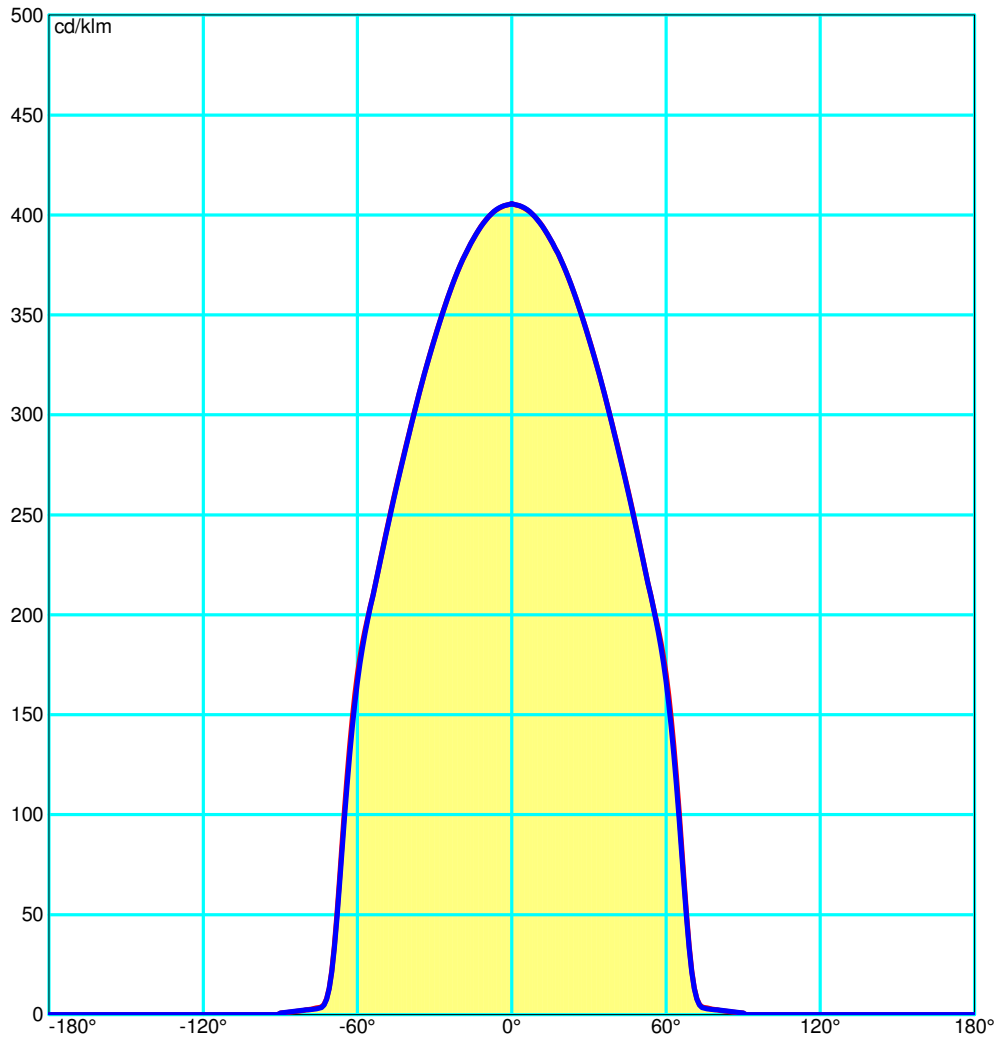
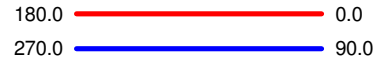
Código 00-5979-14-14V1
Nombre CHERRY

| | | | | | | | |
|------------------|-----------|--------------------|---------------|----------|---------------|------------|-------------|
| Flujo Luminaria | 858.71 lm | Potencia luminaria | 10.21 W | Eficacia | 84.10 lm/W | Eficiencia | 100.00% |
| Flujo de Lámpara | 858.71 lm | Valor Máximo | 405.53 cd/klm | Posición | C=0.00 G=0.00 | CG | Bisimétrico |

Diam=125mm



Semiplanos C



Luminaria

Código 00-5979-14-14V1

Nombre CHERRY

Ensayo

Código 00-5979-14-14V1

Nombre CHERRY

| | | | | | | | |
|------------------|-----------|--------------------|---------------|----------|---------------|------------|-------------|
| Flujo Luminaria | 858.71 lm | Potencia luminaria | 10.21 W | Eficacia | 84.10 lm/W | Eficiencia | 100.00% |
| Flujo de Lámpara | 858.71 lm | Valor Máximo | 405.53 cd/klm | Posición | C=0.00 G=0.00 | CG | Bisimétrico |

UGR
S = 0.250

| Reflectancias | | | | | | | | | | |
|----------------|------------------|------|------|------|------|----------------|------|------|------|------|
| Ceiling/Cavity | 0.7 | 0.7 | 0.5 | 0.5 | 0.3 | 0.7 | 0.7 | 0.5 | 0.5 | 0.3 |
| Walls | 0.5 | 0.3 | 0.5 | 0.3 | 0.3 | 0.5 | 0.3 | 0.5 | 0.3 | 0.3 |
| WorkingPlane | 0.2 | 0.2 | 0.2 | 0.2 | 0.2 | 0.2 | 0.2 | 0.2 | 0.2 | 0.2 |
| RoomDimensions | Viewed Crosswise | | | | | Viewed Endwise | | | | |
| x=2H y=2H | 26.6 | 27.8 | 26.9 | 28.0 | 28.2 | 26.5 | 27.8 | 26.8 | 28.0 | 28.2 |
| x=2H y=3H | 26.9 | 28.0 | 27.2 | 28.2 | 28.5 | 26.8 | 27.9 | 27.2 | 28.2 | 28.4 |
| x=2H y=4H | 26.8 | 27.8 | 27.2 | 28.1 | 28.4 | 26.8 | 27.8 | 27.1 | 28.1 | 28.3 |
| x=2H y=6H | 26.8 | 27.7 | 27.1 | 28.0 | 28.3 | 26.7 | 27.6 | 27.1 | 27.9 | 28.2 |
| x=2H y=8H | 26.7 | 27.6 | 27.1 | 27.9 | 28.3 | 26.7 | 27.6 | 27.0 | 27.9 | 28.2 |
| x=2H y=12H | 26.7 | 27.5 | 27.1 | 27.9 | 28.2 | 26.6 | 27.5 | 27.0 | 27.8 | 28.1 |
| x=4H y=2H | 27.0 | 28.0 | 27.4 | 28.3 | 28.6 | 27.0 | 28.0 | 27.3 | 28.3 | 28.6 |
| x=4H y=3H | 27.3 | 28.2 | 27.7 | 28.5 | 28.8 | 27.3 | 28.1 | 27.7 | 28.4 | 28.8 |
| x=4H y=4H | 27.3 | 28.0 | 27.7 | 28.4 | 28.7 | 27.2 | 28.0 | 27.6 | 28.3 | 28.7 |
| x=4H y=6H | 27.2 | 27.9 | 27.6 | 28.2 | 28.6 | 27.2 | 27.8 | 27.6 | 28.2 | 28.6 |
| x=4H y=8H | 27.2 | 27.8 | 27.6 | 28.2 | 28.6 | 27.1 | 27.7 | 27.6 | 28.1 | 28.5 |
| x=4H y=12H | 27.1 | 27.7 | 27.6 | 28.1 | 28.5 | 27.1 | 27.6 | 27.5 | 28.0 | 28.4 |
| x=8H y=4H | 27.2 | 27.8 | 27.6 | 28.2 | 28.6 | 27.1 | 27.7 | 27.6 | 28.1 | 28.5 |
| x=8H y=6H | 27.1 | 27.6 | 27.6 | 28.0 | 28.5 | 27.1 | 27.5 | 27.5 | 28.0 | 28.4 |
| x=8H y=8H | 27.1 | 27.5 | 27.6 | 27.9 | 28.4 | 27.0 | 27.5 | 27.5 | 27.9 | 28.4 |
| x=8H y=12H | 27.1 | 27.4 | 27.5 | 27.9 | 28.4 | 27.0 | 27.4 | 27.5 | 27.8 | 28.3 |
| x=12H y=4H | 27.2 | 27.7 | 27.6 | 28.1 | 28.5 | 27.1 | 27.6 | 27.5 | 28.0 | 28.5 |
| x=12H y=6H | 27.1 | 27.5 | 27.6 | 27.9 | 28.4 | 27.0 | 27.4 | 27.5 | 27.9 | 28.4 |
| x=12H y=8H | 27.0 | 27.4 | 27.5 | 27.9 | 28.4 | 27.0 | 27.4 | 27.5 | 27.8 | 28.3 |

Luminaria

Código 00-5979-14-14V1

Nombre CHERRY

Ensayo

Código 00-5979-14-14V1

Nombre CHERRY

| | | | | | | | |
|------------------|-----------|--------------------|---------------|----------|---------------|------------|-------------|
| Flujo Luminaria | 858.71 lm | Potencia luminaria | 10.21 W | Eficacia | 84.10 lm/W | Eficiencia | 100.00% |
| Flujo de Lámpara | 858.71 lm | Valor Máximo | 405.53 cd/klm | Posición | C=0.00 G=0.00 | CG | Bisimétrico |

Flujo Total=858.71 Flujo Luminaria=858.71

| | | | | | | | | | | | | |
|-----|------|------|------|------|------|------|------|------|------|------|-------|-------|
| RI | 0.60 | 0.80 | 1.00 | 1.25 | 1.50 | 2.00 | 2.50 | 3.00 | 4.00 | 5.00 | 10.00 | 20.00 |
| DRR | 0.34 | 0.44 | 0.52 | 0.60 | 0.66 | 0.74 | 0.80 | 0.83 | 0.87 | 0.90 | 0.94 | 0.97 |
| RC | 4 | 4 | 4 | 4 | 3 | 3 | 3 | 3 | 3 | 3 | 3 | 3 |

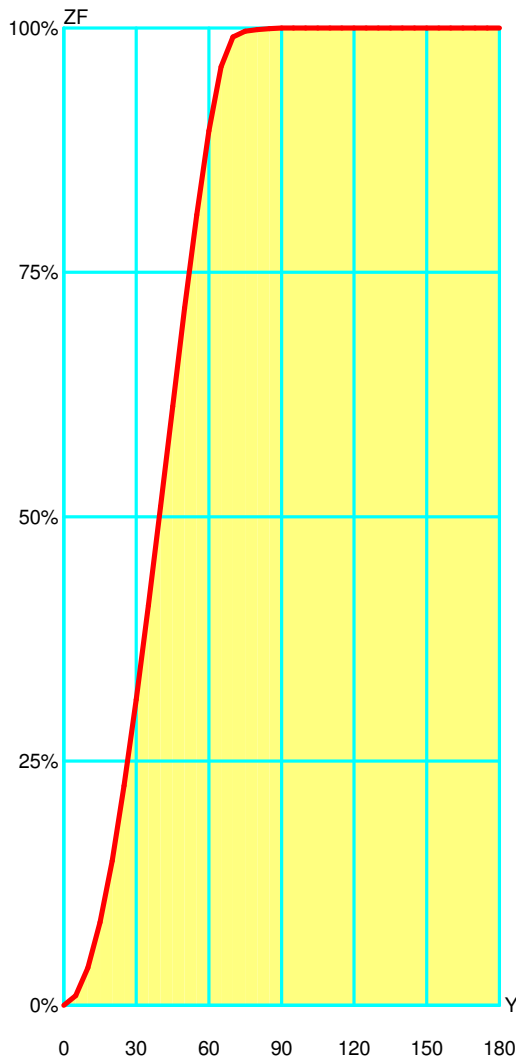
Flujo Zonal por 1000 Lúmenes

| | | | | | | | | | | | | | | | | | | |
|-------|----|-----|-----|-----|-----|-----|-----|-----|------|------|------|------|------|------|------|------|------|------|
| Y° | 10 | 20 | 30 | 40 | 50 | 60 | 70 | 80 | 90 | 100 | 110 | 120 | 130 | 140 | 150 | 160 | 170 | 180 |
| ZF(Y) | 38 | 148 | 313 | 510 | 714 | 895 | 991 | 998 | 1000 | 1000 | 1000 | 1000 | 1000 | 1000 | 1000 | 1000 | 1000 | 1000 |

Códigos de Flujo C.I.E.

54 89 100 100 100

| | | | |
|------------|-----------------------|------|-------------|
| C.I.E. | 4/4/4/4/3/3/3/3/3/3/3 | LOR | 100.00000 % |
| D DIN 5040 | A40 | ULOR | 0.00000 % |
| F UTE | 1.00 D | DLOR | 100.00000 % |
| B NBN | BZ 4 / 0.8 / BZ 3 | UFF | 0.00000 % |
| RN | 0.00000 % | DFF | 100.00000 % |
| BLF | 1.0 | FFR | 0.00000 % |



| Gamma ° | Flujo Zonal | | | |
|---------|-------------|---------|-----------|----------|
| | Flujo | Suma lm | Flujo [%] | Suma [%] |
| 0° | 0.00 | 0.00 | 0.00% | 0.00 % |
| 5° | 9.67 | 9.67 | 0.97 % | 0.97 % |
| 10° | 28.67 | 38.34 | 2.87 % | 3.83 % |
| 15° | 46.62 | 84.96 | 4.66 % | 8.50 % |
| 20° | 62.89 | 147.85 | 6.29 % | 14.79 % |
| 25° | 76.88 | 224.73 | 7.69 % | 22.47 % |
| 30° | 88.14 | 312.87 | 8.81 % | 31.29 % |
| 35° | 96.31 | 409.18 | 9.63 % | 40.92 % |
| 40° | 101.17 | 510.35 | 10.12 % | 51.03 % |
| 45° | 102.61 | 612.96 | 10.26 % | 61.30 % |
| 50° | 100.60 | 713.56 | 10.06 % | 71.36 % |
| 55° | 95.30 | 808.86 | 9.53 % | 80.89 % |
| 60° | 86.03 | 894.89 | 8.60 % | 89.49 % |
| 65° | 65.38 | 960.27 | 6.54 % | 96.03 % |
| 70° | 30.59 | 990.86 | 3.06 % | 99.09 % |
| 75° | 6.05 | 996.91 | 0.60 % | 99.69 % |
| 80° | 1.45 | 998.36 | 0.15 % | 99.84 % |
| 85° | 1.03 | 999.39 | 0.10 % | 99.94 % |
| 90° | 0.61 | 1000.00 | 0.06 % | 100.00 % |
| 95° | 0.00 | 1000.00 | 0.00 % | 100.00 % |
| 100° | 0.00 | 1000.00 | 0.00 % | 100.00 % |
| 105° | 0.00 | 1000.00 | 0.00 % | 100.00 % |
| 110° | 0.00 | 1000.00 | 0.00 % | 100.00 % |
| 115° | 0.00 | 1000.00 | 0.00 % | 100.00 % |
| 120° | 0.00 | 1000.00 | 0.00 % | 100.00 % |
| 125° | 0.00 | 1000.00 | 0.00 % | 100.00 % |
| 130° | 0.00 | 1000.00 | 0.00 % | 100.00 % |
| 135° | 0.00 | 1000.00 | 0.00 % | 100.00 % |
| 140° | 0.00 | 1000.00 | 0.00 % | 100.00 % |
| 145° | 0.00 | 1000.00 | 0.00 % | 100.00 % |
| 150° | 0.00 | 1000.00 | 0.00 % | 100.00 % |
| 155° | 0.00 | 1000.00 | 0.00 % | 100.00 % |
| 160° | 0.00 | 1000.00 | 0.00 % | 100.00 % |
| 165° | 0.00 | 1000.00 | 0.00 % | 100.00 % |
| 170° | 0.00 | 1000.00 | 0.00 % | 100.00 % |
| 175° | 0.00 | 1000.00 | 0.00 % | 100.00 % |
| 180° | 0.00 | 1000.00 | 0.00 % | 100.00 % |

Luminaria

Código 00-5979-14-14V1

Nombre CHERRY

Ensayo

Código 00-5979-14-14V1

Nombre CHERRY

| | | | | | | | |
|------------------|-----------|--------------------|---------------|----------|---------------|------------|-------------|
| Flujo Luminaria | 858.71 lm | Potencia luminaria | 10.21 W | Eficacia | 84.10 lm/W | Eficiencia | 100.00% |
| Flujo de Lámpara | 858.71 lm | Valor Máximo | 405.53 cd/klm | Posición | C=0.00 G=0.00 | CG | Bisimétrico |

Utilización CIE

| Montaje | Directo | | Normalización | | Normalizados | | Raz. de Susp. | | | 1/3 | | | CIE Estándar | | | | | | | | | | |
|---------|---------|------|---------------|------|--------------|------|---------------|------|------|------|------|------|--------------|------|------|------|------|------|------|------|------|------|---|
| Techo | | | | | | | | | | | | | | | | | | | | | | | |
| K | 8873 | 8773 | 8871 | 8771 | 7773 | 7771 | 7753 | 7751 | 7551 | 7731 | 7331 | 7711 | 7111 | 5551 | 5531 | 5331 | 5511 | 5111 | 3331 | 3311 | 1111 | 0000 | |
| 0.60 | 213 | 191 | 165 | 148 | 182 | 142 | 110 | 93 | 84 | 72 | 45 | 34 | 17 | 12 | 67 | 36 | 32 | 14 | 11 | 31 | 12 | 10 | 0 |
| 0.80 | 244 | 224 | 172 | 158 | 213 | 151 | 138 | 121 | 95 | 83 | 54 | 43 | 24 | 17 | 78 | 45 | 41 | 20 | 16 | 39 | 17 | 15 | 0 |
| 1.00 | 265 | 247 | 170 | 159 | 234 | 153 | 161 | 143 | 100 | 90 | 60 | 50 | 30 | 23 | 84 | 51 | 47 | 26 | 22 | 45 | 22 | 20 | 0 |
| 1.25 | 283 | 267 | 165 | 157 | 254 | 150 | 184 | 167 | 103 | 94 | 66 | 56 | 37 | 29 | 89 | 57 | 53 | 32 | 28 | 51 | 29 | 26 | 0 |
| 1.50 | 297 | 282 | 160 | 153 | 269 | 147 | 203 | 186 | 105 | 97 | 71 | 61 | 43 | 35 | 91 | 62 | 58 | 38 | 34 | 56 | 34 | 31 | 0 |
| 2.00 | 314 | 302 | 149 | 144 | 288 | 139 | 231 | 216 | 105 | 99 | 77 | 69 | 53 | 45 | 94 | 69 | 66 | 48 | 44 | 63 | 44 | 40 | 0 |
| 2.50 | 326 | 316 | 141 | 138 | 302 | 133 | 252 | 239 | 105 | 100 | 81 | 74 | 60 | 53 | 95 | 74 | 71 | 55 | 51 | 68 | 51 | 48 | 0 |
| 3.00 | 335 | 326 | 136 | 133 | 312 | 129 | 268 | 256 | 105 | 101 | 84 | 78 | 66 | 59 | 96 | 78 | 75 | 61 | 57 | 72 | 57 | 54 | 0 |
| 4.00 | 348 | 341 | 130 | 127 | 326 | 124 | 290 | 280 | 106 | 103 | 89 | 84 | 74 | 68 | 98 | 83 | 81 | 69 | 66 | 78 | 66 | 62 | 0 |
| 5.00 | 357 | 351 | 126 | 125 | 336 | 122 | 305 | 296 | 106 | 104 | 92 | 88 | 79 | 74 | 100 | 87 | 85 | 75 | 72 | 82 | 71 | 68 | 0 |
| 10.00 | 375 | 372 | 119 | 118 | 357 | 116 | 339 | 334 | 108 | 106 | 100 | 97 | 92 | 89 | 103 | 96 | 95 | 88 | 86 | 92 | 85 | 82 | 0 |
| 20.00 | 385 | 384 | 115 | 114 | 369 | 113 | 359 | 356 | 108 | 107 | 104 | 102 | 99 | 97 | 105 | 100 | 100 | 96 | 95 | 97 | 93 | 91 | 0 |

Pared

| | | | | | | | | | | | | | | | | | | | | | | | |
|-------|------|------|------|------|------|------|------|------|------|------|------|------|------|------|------|------|------|------|------|------|------|------|------|
| K | 8873 | 8773 | 8871 | 8771 | 7773 | 7771 | 7753 | 7553 | 7751 | 7551 | 7731 | 7331 | 7711 | 7111 | 5551 | 5531 | 5331 | 5511 | 5111 | 3331 | 3311 | 1111 | 0000 |
| 0.60 | 452 | 441 | 391 | 383 | 434 | 379 | 342 | 335 | 306 | 301 | 256 | 252 | 221 | 219 | 298 | 253 | 251 | 219 | 219 | 250 | 219 | 218 | 198 |
| 0.80 | 498 | 486 | 415 | 408 | 477 | 402 | 388 | 379 | 336 | 330 | 288 | 283 | 252 | 249 | 326 | 283 | 281 | 250 | 249 | 279 | 249 | 248 | 224 |
| 1.00 | 525 | 513 | 423 | 416 | 502 | 410 | 419 | 409 | 351 | 345 | 306 | 301 | 272 | 268 | 340 | 300 | 298 | 269 | 267 | 296 | 267 | 266 | 238 |
| 1.25 | 546 | 535 | 424 | 419 | 521 | 412 | 445 | 434 | 360 | 355 | 320 | 314 | 287 | 283 | 348 | 313 | 311 | 284 | 282 | 308 | 281 | 279 | 249 |
| 1.50 | 560 | 550 | 423 | 418 | 534 | 411 | 464 | 453 | 365 | 361 | 329 | 323 | 299 | 294 | 354 | 321 | 319 | 295 | 292 | 316 | 291 | 289 | 255 |
| 2.00 | 568 | 559 | 408 | 404 | 541 | 398 | 481 | 471 | 361 | 357 | 331 | 326 | 305 | 301 | 349 | 323 | 321 | 300 | 298 | 316 | 296 | 292 | 255 |
| 2.50 | 573 | 565 | 397 | 394 | 544 | 387 | 493 | 483 | 357 | 354 | 331 | 327 | 309 | 304 | 345 | 323 | 321 | 303 | 301 | 315 | 298 | 293 | 254 |
| 3.00 | 574 | 567 | 387 | 384 | 545 | 377 | 500 | 490 | 352 | 349 | 330 | 325 | 310 | 305 | 340 | 320 | 319 | 303 | 301 | 313 | 297 | 292 | 250 |
| 4.00 | 584 | 578 | 381 | 380 | 554 | 373 | 517 | 508 | 353 | 350 | 335 | 331 | 319 | 314 | 340 | 325 | 323 | 311 | 308 | 316 | 304 | 298 | 253 |
| 5.00 | 594 | 588 | 382 | 380 | 563 | 374 | 532 | 524 | 357 | 355 | 342 | 338 | 328 | 324 | 345 | 331 | 330 | 319 | 317 | 322 | 311 | 304 | 258 |
| 10.00 | 629 | 626 | 396 | 395 | 597 | 389 | 578 | 573 | 379 | 378 | 370 | 368 | 361 | 358 | 367 | 358 | 358 | 351 | 349 | 348 | 341 | 333 | 282 |
| 20.00 | 661 | 659 | 417 | 416 | 629 | 410 | 618 | 615 | 404 | 404 | 399 | 398 | 394 | 392 | 392 | 387 | 386 | 382 | 381 | 376 | 372 | 362 | 309 |

P.Trab.

| | | | | | | | | | | | | | | | | | | | | | | | |
|-------|------|------|------|------|------|------|------|------|------|------|------|------|------|------|------|------|------|------|------|------|------|------|------|
| K | 8873 | 8773 | 8871 | 8771 | 7773 | 7771 | 7753 | 7553 | 7751 | 7551 | 7731 | 7331 | 7711 | 7111 | 5551 | 5531 | 5331 | 5511 | 5111 | 3331 | 3311 | 1111 | 0000 |
| 0.60 | 620 | 608 | 579 | 570 | 600 | 564 | 488 | 480 | 470 | 464 | 406 | 402 | 360 | 358 | 460 | 402 | 400 | 359 | 358 | 399 | 358 | 357 | 341 |
| 0.80 | 738 | 724 | 679 | 670 | 712 | 663 | 602 | 592 | 574 | 568 | 511 | 505 | 463 | 460 | 562 | 505 | 503 | 461 | 460 | 500 | 459 | 458 | 441 |
| 1.00 | 827 | 812 | 753 | 745 | 797 | 736 | 693 | 681 | 655 | 648 | 595 | 588 | 548 | 544 | 640 | 587 | 584 | 545 | 543 | 581 | 542 | 540 | 524 |
| 1.25 | 908 | 894 | 819 | 811 | 875 | 801 | 779 | 766 | 729 | 723 | 674 | 667 | 629 | 624 | 713 | 664 | 661 | 625 | 622 | 657 | 621 | 618 | 602 |
| 1.50 | 967 | 953 | 864 | 857 | 932 | 846 | 842 | 829 | 782 | 776 | 731 | 724 | 689 | 683 | 765 | 720 | 717 | 683 | 680 | 711 | 678 | 674 | 659 |
| 2.00 | 1000 | 1000 | 925 | 920 | 1000 | 909 | 936 | 922 | 858 | 852 | 815 | 808 | 779 | 773 | 839 | 802 | 800 | 771 | 768 | 792 | 764 | 758 | 745 |
| 2.50 | 1000 | 1000 | 961 | 957 | 1000 | 946 | 995 | 982 | 903 | 898 | 867 | 860 | 836 | 829 | 884 | 853 | 850 | 826 | 822 | 841 | 817 | 810 | 797 |
| 3.00 | 1000 | 1000 | 985 | 982 | 1000 | 970 | 1000 | 1000 | 934 | 930 | 903 | 896 | 875 | 868 | 914 | 887 | 885 | 864 | 860 | 874 | 854 | 845 | 833 |
| 4.00 | 1000 | 1000 | 1000 | 1000 | 1000 | 997 | 1000 | 1000 | 969 | 965 | 944 | 938 | 921 | 914 | 948 | 927 | 925 | 907 | 904 | 912 | 895 | 885 | 874 |
| 5.00 | 1000 | 1000 | 1000 | 1000 | 1000 | 1000 | 1000 | 1000 | 989 | 986 | 968 | 963 | 948 | 942 | 968 | 950 | 948 | 933 | 930 | 934 | 920 | 908 | 897 |
| 10.00 | 1000 | 1000 | 1000 | 1000 | 1000 | 1000 | 1000 | 1000 | 1000 | 1000 | 1000 | 1000 | 1000 | 1000 | 1000 | 997 | 996 | 987 | 985 | 978 | 970 | 954 | 944 |
| 20.00 | 1000 | 1000 | 1000 | 1000 | 1000 | 1000 | 1000 | 1000 | 1000 | 1000 | 1000 | 1000 | 1000 | 1000 | 1000 | 1000 | 1000 | 1000 | 1000 | 1000 | 998 | 979 | 969 |

LM53 SHR C0-C180: 1.238 SHR C90-C270: 1.238 SHR Superficial: 1.358

LEDS C4⁺

Luminaria

Código 00-5979-14-14V1
Nombre CHERRY

Ensayo

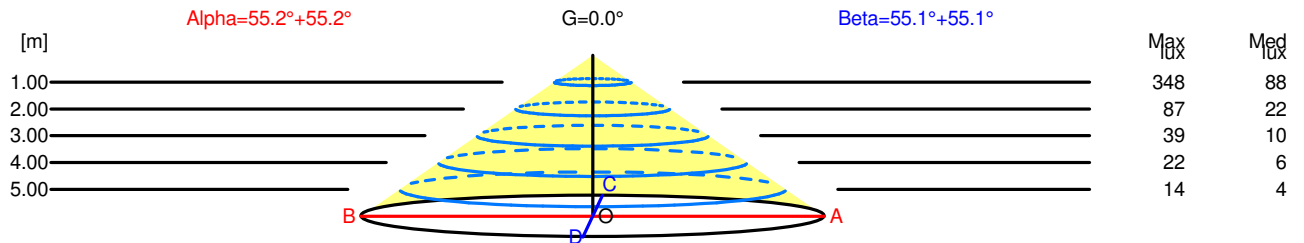
Código 00-5979-14-14V1
Nombre CHERRY

| | | | | | | | |
|------------------|-----------|--------------------|---------------|----------|---------------|------------|-------------|
| Flujo Luminaria | 858.71 lm | Potencia luminaria | 10.21 W | Eficacia | 84.10 lm/W | Eficiencia | 100.00% |
| Flujo de Lámpara | 858.71 lm | Valor Máximo | 405.53 cd/klm | Posición | C=0.00 G=0.00 | CG | Bisimétrico |

Apertura a 50.00 % de Max Intensidad

| | | | | | | | | | | | |
|------|------|------|------|------|------|------|------|------|------|------|------|
| H[m] | 1.00 | 2.00 | 3.00 | 4.00 | 5.00 | H[m] | 1.00 | 2.00 | 3.00 | 4.00 | 5.00 |
| OA | 1.44 | 2.88 | 4.32 | 5.76 | 7.20 | OC | 1.44 | 2.87 | 4.31 | 5.74 | 7.18 |
| OB | 1.44 | 2.88 | 4.32 | 5.76 | 7.20 | OD | 1.44 | 2.87 | 4.31 | 5.74 | 7.18 |

| | Intensidades Luminosas [cd/klm] | | | | | | | | | |
|----|----------------------------------|--------|--------|--------|--------|--------|--------|-------|------|------|
| | 0 | 5 | 15 | 25 | 35 | 45 | 55 | 65 | 75 | 85 |
| OA | 348.23 | 346.40 | 333.20 | 307.53 | 271.00 | 226.39 | 175.16 | 88.39 | 3.01 | 1.21 |
| OB | 348.23 | 346.40 | 333.20 | 307.53 | 271.00 | 226.39 | 175.16 | 88.39 | 3.01 | 1.21 |
| OC | 348.23 | 346.50 | 333.17 | 307.42 | 271.01 | 225.87 | 174.82 | 85.04 | 2.68 | 1.28 |
| OD | 348.23 | 346.50 | 333.17 | 307.42 | 271.01 | 225.87 | 174.82 | 85.04 | 2.68 | 1.28 |



| H[m] | D[m] | Max lux | Med lux | Alpha=55.2°+55.2° | G=0.0 |
|------|-------|---------|---------|-------------------|-------|
| 1.00 | 2.88 | 348 | 88 | | |
| 2.00 | 5.76 | 87 | 22 | | |
| 3.00 | 8.64 | 39 | 10 | | |
| 4.00 | 11.52 | 22 | 6 | | |
| 5.00 | 14.39 | 14 | 4 | | |

| H[m] | D[m] | Max lux | Med lux | Beta=55.1°+55.1° | G=0.0 |
|------|-------|---------|---------|------------------|-------|
| 1.00 | 2.87 | 348 | 88 | | |
| 2.00 | 5.74 | 87 | 22 | | |
| 3.00 | 8.61 | 39 | 10 | | |
| 4.00 | 11.48 | 22 | 6 | | |
| 5.00 | 14.35 | 14 | 4 | | |

LEDS C4⁺

Luminaria

Código 00-5979-14-14V1

Nombre CHERRY

Ensayo

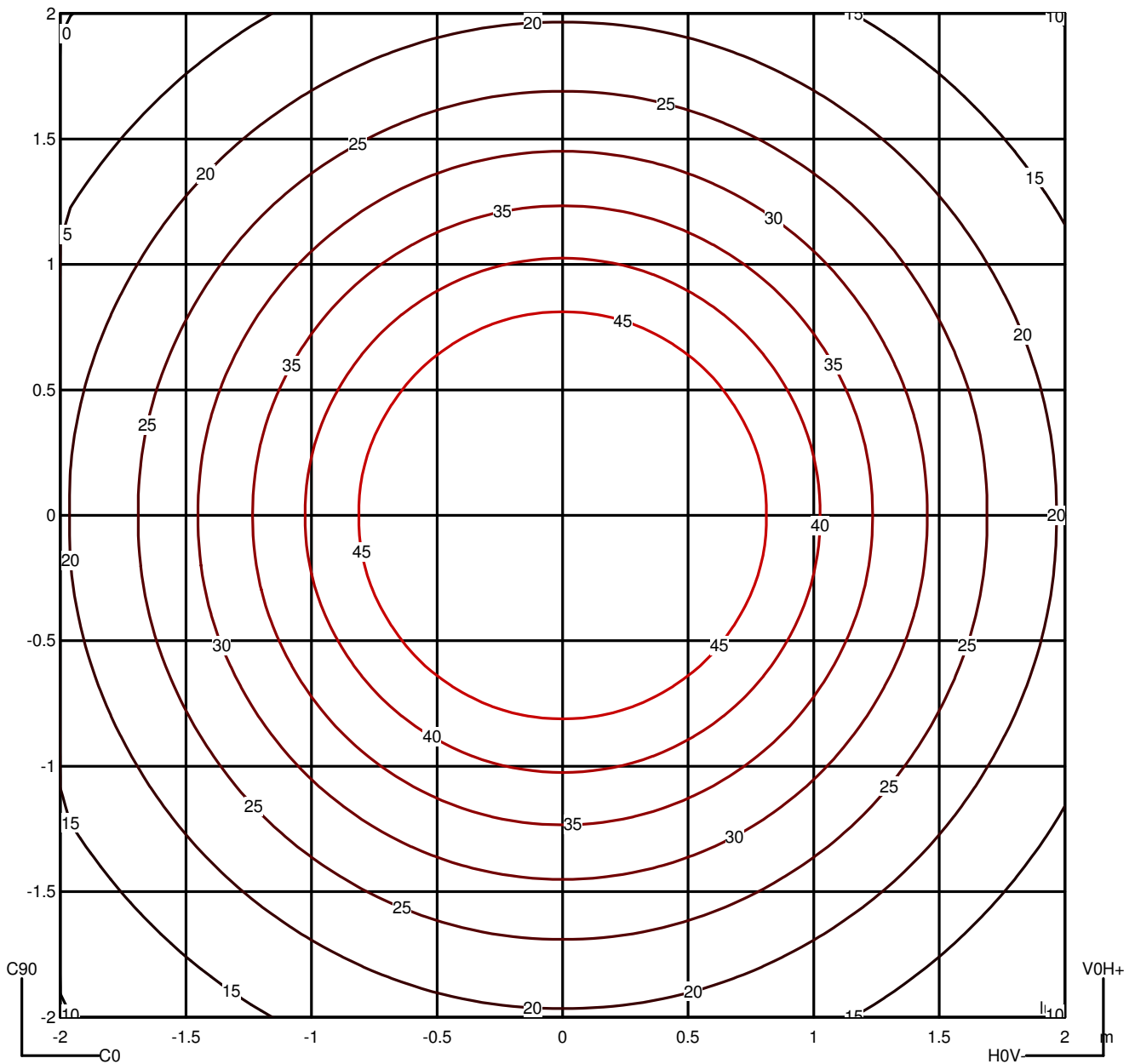
Código 00-5979-14-14V1

Nombre CHERRY

| | | | | | | | |
|------------------|-----------|--------------------|---------------|----------|---------------|------------|-------------|
| Flujo Luminaria | 858.71 lm | Potencia luminaria | 10.21 W | Eficacia | 84.10 lm/W | Eficiencia | 100.00% |
| Flujo de Lámpara | 858.71 lm | Valor Máximo | 405.53 cd/klm | Posición | C=0.00 G=0.00 | CG | Bisimétrico |

Isolux (Suelo)

Posición Luminaria X=0.00m Y=0.00m Z=2.50m



LEDS C4[®]

Luminaria

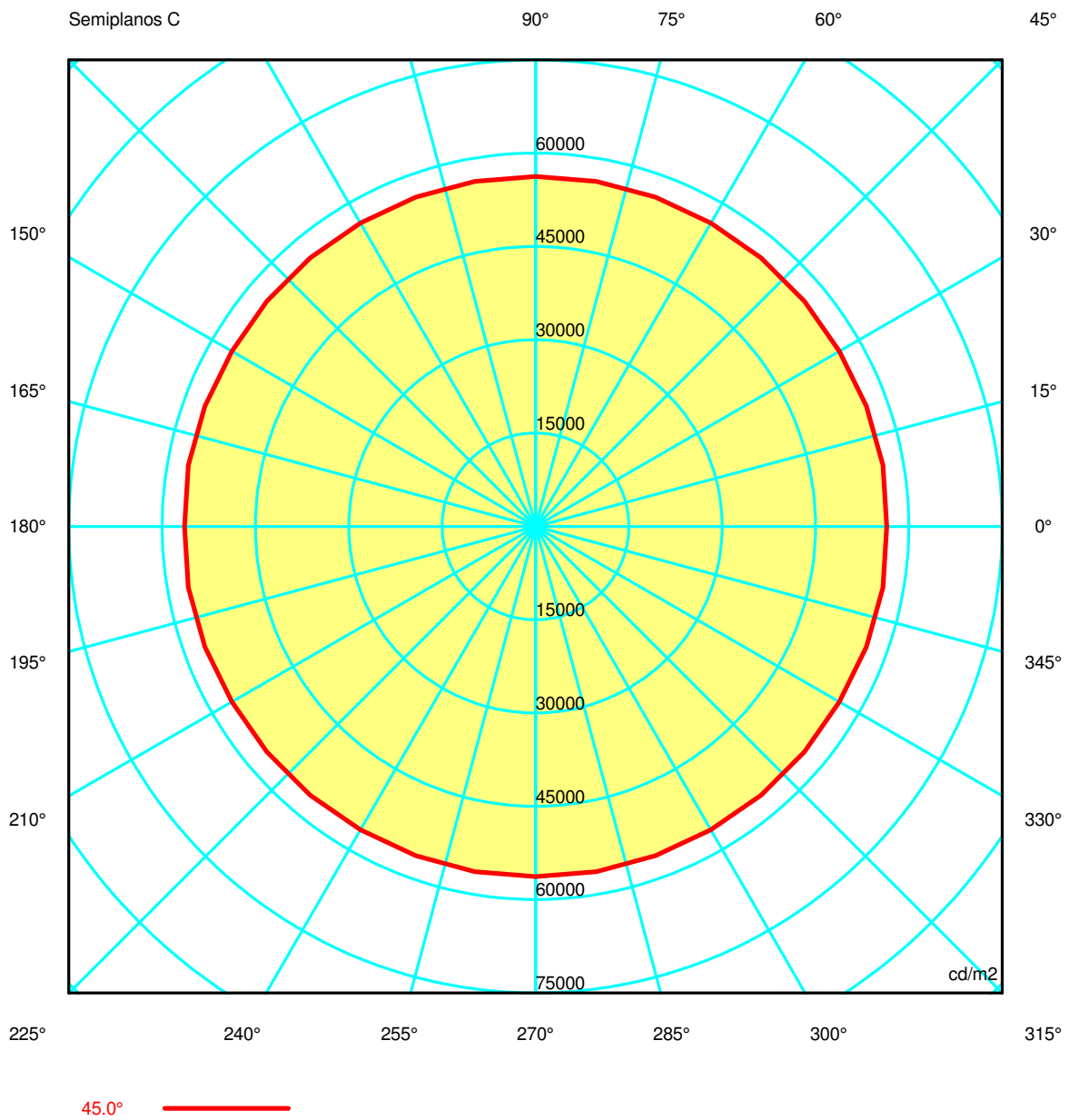
Código 00-5979-14-14V1
Nombre CHERRY

Ensayo

Código 00-5979-14-14V1
Nombre CHERRY

| | | | | | | | |
|------------------|-----------|--------------------|---------------|----------|---------------|------------|-------------|
| Flujo Luminaria | 858.71 lm | Potencia luminaria | 10.21 W | Eficacia | 84.10 lm/W | Eficiencia | 100.00% |
| Flujo de Lámpara | 858.71 lm | Valor Máximo | 405.53 cd/klm | Posición | C=0.00 G=0.00 | CG | Bisimétrico |

Luminancia



Luminaria

Código 00-5979-14-14V1

Nombre CHERRY

Ensayo

Código 00-5979-14-14V1

Nombre CHERRY

| | | | | | | | |
|------------------|-----------|--------------------|---------------|----------|---------------|------------|-------------|
| Flujo Luminaria | 858.71 lm | Potencia luminaria | 10.21 W | Eficacia | 84.10 lm/W | Eficiencia | 100.00% |
| Flujo de Lámpara | 858.71 lm | Valor Máximo | 405.53 cd/klm | Posición | C=0.00 G=0.00 | CG | Bisimétrico |

Luminance cd/m2 Tabla 1/3

| | C 0.00 | C 10.00 | C 20.00 | C 30.00 | C 40.00 | C 50.00 | C 60.00 | C 70.00 | C 80.00 | C 90.00 | C 100.00 | C 110.00 | C 120.00 |
|--------|----------|----------|----------|----------|----------|----------|----------|----------|----------|----------|----------|----------|----------|
| G 0.0 | 61368.07 | 61368.07 | 61368.07 | 61368.07 | 61368.07 | 61368.07 | 61368.07 | 61368.07 | 61368.07 | 61368.07 | 61368.07 | 61368.07 | 61368.07 |
| G 5.0 | 61278.78 | 61312.80 | 61312.70 | 61296.12 | 61310.04 | 61316.50 | 61309.13 | 61319.50 | 61318.78 | 61295.71 | 61318.78 | 61319.50 | 61309.13 |
| G 10.0 | 61114.85 | 61153.85 | 61147.04 | 61112.59 | 61114.58 | 61117.79 | 61115.87 | 61111.95 | 61104.77 | 61094.18 | 61104.77 | 61111.95 | 61115.87 |
| G 15.0 | 60790.69 | 60856.59 | 60848.72 | 60803.92 | 60822.38 | 60825.19 | 60801.22 | 60820.19 | 60823.15 | 60784.41 | 60823.15 | 60820.19 | 60801.22 |
| G 20.0 | 60358.54 | 60424.62 | 60413.47 | 60359.70 | 60365.88 | 60367.90 | 60348.91 | 60360.55 | 60369.31 | 60357.42 | 60369.31 | 60360.55 | 60348.91 |
| G 25.0 | 59797.36 | 59850.87 | 59837.55 | 59789.00 | 59794.85 | 59791.56 | 59768.20 | 59781.28 | 59791.14 | 59777.13 | 59791.14 | 59781.28 | 59768.20 |
| G 30.0 | 59102.02 | 59208.52 | 59192.35 | 59103.52 | 59111.40 | 59116.69 | 59099.57 | 59087.12 | 59077.17 | 59064.68 | 59077.17 | 59087.12 | 59099.57 |
| G 35.0 | 58301.38 | 58423.89 | 58375.02 | 58251.67 | 58301.50 | 58325.63 | 58279.71 | 58321.55 | 58346.62 | 58302.38 | 58346.62 | 58321.55 | 58279.71 |
| G 40.0 | 57385.43 | 57555.78 | 57542.92 | 57412.35 | 57400.85 | 57381.97 | 57357.45 | 57401.38 | 57396.68 | 57302.82 | 57396.68 | 57401.38 | 57357.45 |
| G 45.0 | 56422.65 | 56652.56 | 56578.64 | 56342.93 | 56376.23 | 56383.98 | 56317.43 | 56327.02 | 56328.41 | 56293.01 | 56328.41 | 56327.02 | 56317.43 |
| G 50.0 | 55194.12 | 55271.47 | 55217.43 | 55102.69 | 55128.26 | 55139.26 | 55135.69 | 55158.79 | 55149.51 | 55084.88 | 55149.51 | 55158.79 | 55135.69 |
| G 55.0 | 53815.18 | 54150.02 | 54071.10 | 53742.31 | 53737.17 | 53737.43 | 53723.53 | 53785.17 | 53796.99 | 53711.58 | 53796.99 | 53785.17 | 53723.53 |
| G 60.0 | 51484.00 | 51344.81 | 50958.99 | 50510.12 | 50935.88 | 50805.33 | 50311.62 | 51020.00 | 51261.10 | 50349.93 | 51261.10 | 51020.00 | 50311.62 |
| G 65.0 | 36856.06 | 37852.45 | 37010.38 | 35356.87 | 35538.54 | 35480.07 | 35019.77 | 36079.25 | 36514.94 | 35461.49 | 36514.94 | 36079.25 | 35019.77 |
| G 70.0 | 9671.70 | 9513.14 | 9338.74 | 8843.57 | 7895.78 | 8092.81 | 9041.34 | 8772.33 | 8651.38 | 9376.73 | 8651.38 | 8772.33 | 9041.34 |
| G 75.0 | 2046.34 | 1839.64 | 1814.47 | 1880.65 | 1796.25 | 1772.95 | 1817.07 | 1720.62 | 1694.95 | 1823.89 | 1694.95 | 1720.62 | 1817.07 |
| G 80.0 | 2005.36 | 2067.52 | 2061.72 | 2020.69 | 2036.62 | 2044.86 | 2023.23 | 2020.35 | 2017.31 | 2014.10 | 2017.31 | 2020.35 | 2023.23 |
| G 85.0 | 2446.05 | 2556.16 | 2577.16 | 2532.64 | 2530.56 | 2569.02 | 2586.28 | 2531.93 | 2520.64 | 2590.58 | 2520.64 | 2531.93 | 2586.28 |
| G 90.0 | 0.00 | 0.00 | 0.00 | 0.00 | 0.00 | 0.00 | 0.00 | 0.00 | 0.00 | 0.00 | 0.00 | 0.00 | 0.00 |

Luminaria

Código 00-5979-14-14V1

Nombre CHERRY

Ensayo

Código 00-5979-14-14V1

Nombre CHERRY

| | | | | | | | |
|------------------|-----------|--------------------|---------------|----------|---------------|------------|-------------|
| Flujo Luminaria | 858.71 lm | Potencia luminaria | 10.21 W | Eficacia | 84.10 lm/W | Eficiencia | 100.00% |
| Flujo de Lámpara | 858.71 lm | Valor Máximo | 405.53 cd/klm | Posición | C=0.00 G=0.00 | CG | Bisimétrico |

Luminance cd/m2 Tabla 2/3

| | C 130.00 | C 140.00 | C 150.00 | C 160.00 | C 170.00 | C 180.00 | C 190.00 | C 200.00 | C 210.00 | C 220.00 | C 230.00 | C 240.00 | C 250.00 |
|--------|----------|----------|----------|----------|----------|----------|----------|----------|----------|----------|----------|----------|----------|
| G 0.0 | 61368.07 | 61368.07 | 61368.07 | 61368.07 | 61368.07 | 61368.07 | 61368.07 | 61368.07 | 61368.07 | 61368.07 | 61368.07 | 61368.07 | 61368.07 |
| G 5.0 | 61316.50 | 61310.04 | 61296.12 | 61312.70 | 61312.80 | 61278.78 | 61312.80 | 61312.70 | 61296.12 | 61310.04 | 61316.50 | 61309.13 | 61319.50 |
| G 10.0 | 61117.79 | 61114.58 | 61112.59 | 61147.04 | 61153.85 | 61114.85 | 61153.85 | 61147.04 | 61112.59 | 61114.58 | 61117.79 | 61115.87 | 61111.95 |
| G 15.0 | 60825.19 | 60822.38 | 60803.92 | 60848.72 | 60856.59 | 60790.69 | 60856.59 | 60848.72 | 60803.92 | 60822.38 | 60825.19 | 60801.22 | 60820.19 |
| G 20.0 | 60367.90 | 60365.88 | 60359.70 | 60413.47 | 60424.62 | 60358.54 | 60424.62 | 60413.47 | 60359.70 | 60365.88 | 60367.90 | 60348.91 | 60360.55 |
| G 25.0 | 59791.56 | 59794.85 | 59789.00 | 59837.55 | 59850.87 | 59797.36 | 59850.87 | 59837.55 | 59789.00 | 59794.85 | 59791.56 | 59768.20 | 59781.28 |
| G 30.0 | 59116.69 | 59111.40 | 59103.52 | 59192.35 | 59208.52 | 59102.02 | 59208.52 | 59192.35 | 59103.52 | 59111.40 | 59116.69 | 59099.57 | 59087.12 |
| G 35.0 | 58325.63 | 58301.50 | 58251.67 | 58375.02 | 58423.89 | 58301.38 | 58423.89 | 58375.02 | 58251.67 | 58301.50 | 58325.63 | 58279.71 | 58321.55 |
| G 40.0 | 57381.97 | 57400.85 | 57412.35 | 57542.92 | 57555.78 | 57385.43 | 57555.78 | 57542.92 | 57412.35 | 57400.85 | 57381.97 | 57357.45 | 57401.38 |
| G 45.0 | 56383.98 | 56376.23 | 56342.93 | 56578.64 | 56652.56 | 56422.65 | 56652.56 | 56578.64 | 56342.93 | 56376.23 | 56383.98 | 56317.43 | 56327.02 |
| G 50.0 | 55139.26 | 55128.26 | 55102.69 | 55217.43 | 55271.47 | 55194.12 | 55271.47 | 55217.43 | 55102.69 | 55128.26 | 55139.26 | 55135.69 | 55158.79 |
| G 55.0 | 53737.43 | 53737.17 | 53742.31 | 54071.10 | 54150.02 | 53815.18 | 54150.02 | 54071.10 | 53742.31 | 53737.17 | 53737.43 | 53723.53 | 53785.17 |
| G 60.0 | 50805.33 | 50935.88 | 50510.12 | 50958.99 | 51344.81 | 51484.00 | 51344.81 | 50958.99 | 50510.12 | 50935.88 | 50805.33 | 50311.62 | 51020.00 |
| G 65.0 | 35480.07 | 35538.54 | 35356.87 | 37010.38 | 37852.45 | 36856.06 | 37852.45 | 37010.38 | 35356.87 | 35538.54 | 35480.07 | 35019.77 | 36079.25 |
| G 70.0 | 8092.81 | 7895.78 | 8843.57 | 9338.74 | 9513.14 | 9671.70 | 9513.14 | 9338.74 | 8843.57 | 7895.78 | 8092.81 | 9041.34 | 8772.33 |
| G 75.0 | 1772.95 | 1796.25 | 1880.65 | 1814.47 | 1839.64 | 2046.34 | 1839.64 | 1814.47 | 1880.65 | 1796.25 | 1772.95 | 1817.07 | 1720.62 |
| G 80.0 | 2044.86 | 2036.62 | 2020.69 | 2061.72 | 2067.52 | 2005.36 | 2067.52 | 2061.72 | 2020.69 | 2036.62 | 2044.86 | 2023.23 | 2020.35 |
| G 85.0 | 2569.02 | 2530.56 | 2532.64 | 2577.16 | 2556.16 | 2446.05 | 2556.16 | 2577.16 | 2532.64 | 2530.56 | 2569.02 | 2586.28 | 2531.93 |
| G 90.0 | 0.00 | 0.00 | 0.00 | 0.00 | 0.00 | 0.00 | 0.00 | 0.00 | 0.00 | 0.00 | 0.00 | 0.00 | 0.00 |

Luminaria

Código 00-5979-14-14V1

Nombre CHERRY

Ensayo

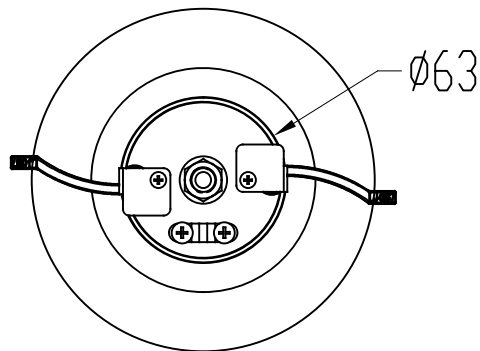
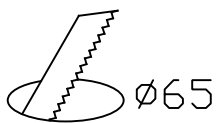
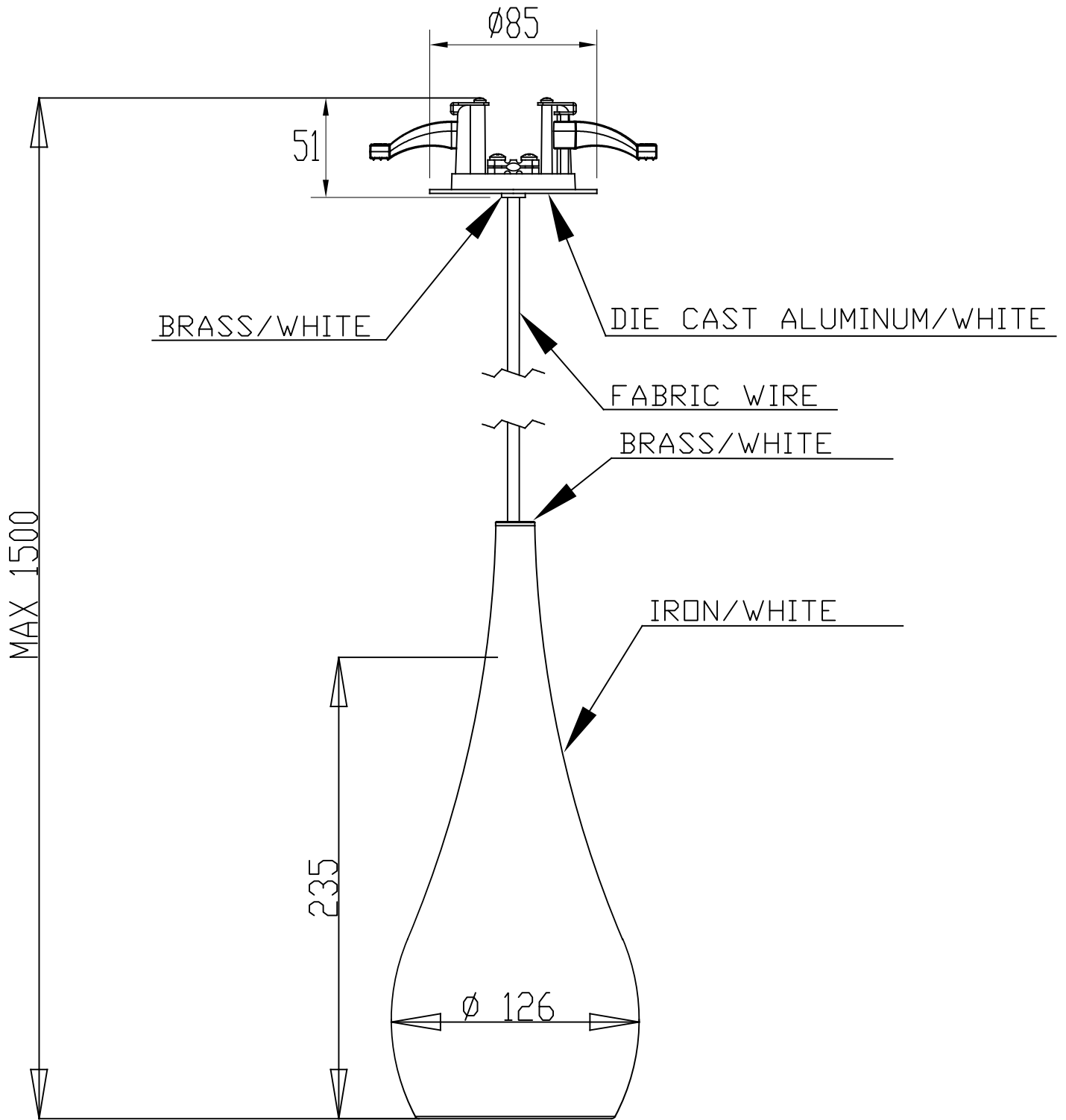
Código 00-5979-14-14V1

Nombre CHERRY

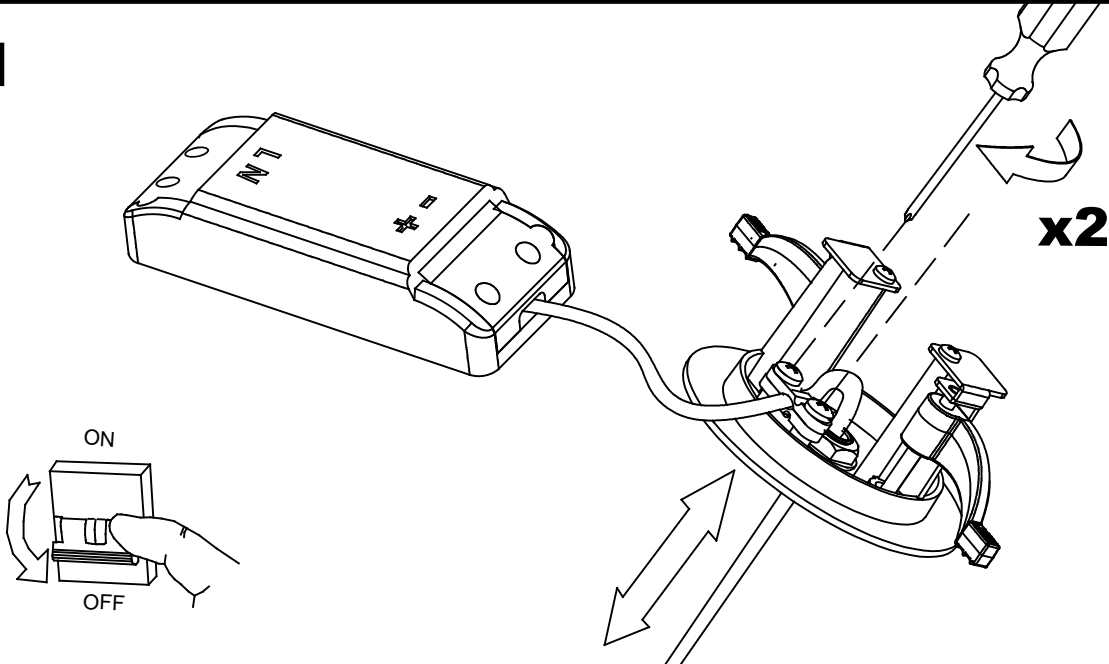
| | | | | | | | |
|------------------|-----------|--------------------|---------------|----------|---------------|------------|-------------|
| Flujo Luminaria | 858.71 lm | Potencia luminaria | 10.21 W | Eficacia | 84.10 lm/W | Eficiencia | 100.00% |
| Flujo de Lámpara | 858.71 lm | Valor Máximo | 405.53 cd/klm | Posición | C=0.00 G=0.00 | CG | Bisimétrico |

Luminance cd/m2 Tabla 3/3

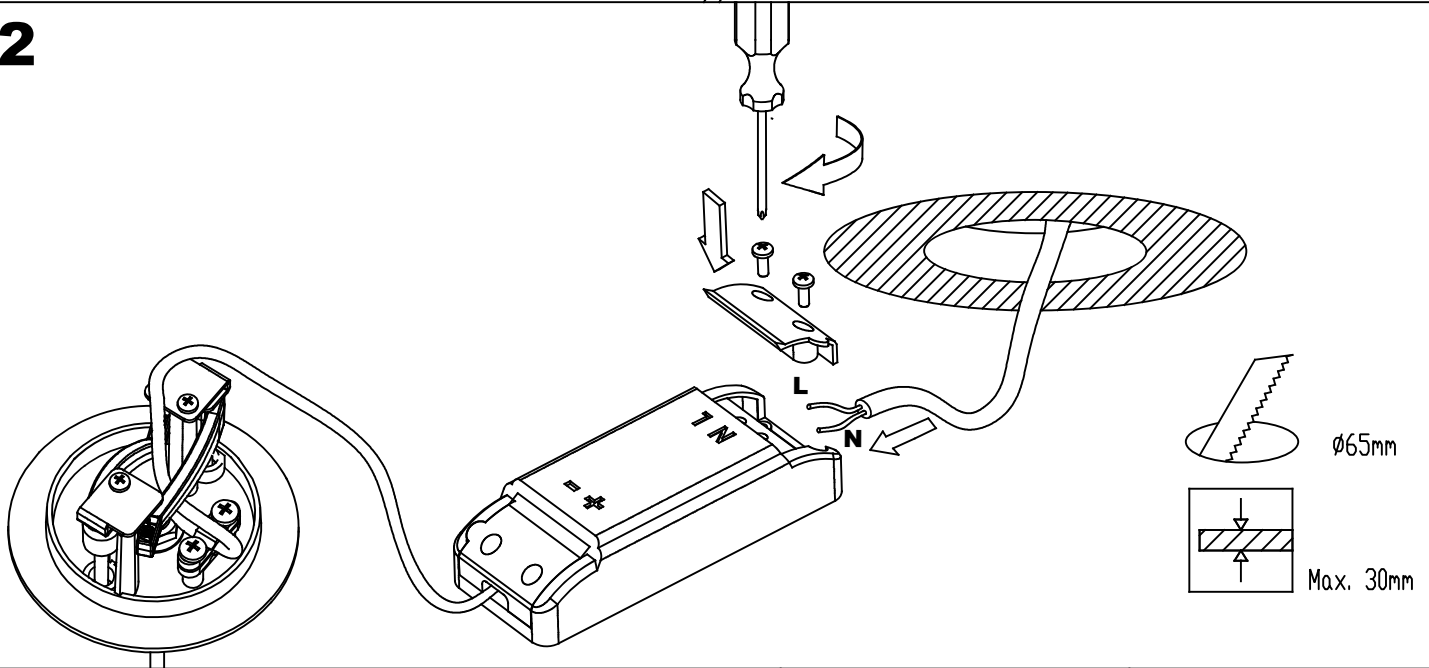
| | C 260.00 | C 270.00 | C 280.00 | C 290.00 | C 300.00 | C 310.00 | C 320.00 | C 330.00 | C 340.00 | C 350.00 |
|--------|----------|----------|----------|----------|----------|----------|----------|----------|----------|----------|
| G 0.0 | 61368.07 | 61368.07 | 61368.07 | 61368.07 | 61368.07 | 61368.07 | 61368.07 | 61368.07 | 61368.07 | 61368.07 |
| G 5.0 | 61318.78 | 61295.71 | 61318.78 | 61319.50 | 61309.13 | 61316.50 | 61310.04 | 61296.12 | 61312.70 | 61312.80 |
| G 10.0 | 61104.77 | 61094.18 | 61104.77 | 61111.95 | 61115.87 | 61117.79 | 61114.58 | 61112.59 | 61147.04 | 61153.85 |
| G 15.0 | 60823.15 | 60784.41 | 60823.15 | 60820.19 | 60801.22 | 60825.19 | 60822.38 | 60803.92 | 60848.72 | 60856.59 |
| G 20.0 | 60369.31 | 60357.42 | 60369.31 | 60360.55 | 60348.91 | 60367.90 | 60365.88 | 60359.70 | 60413.47 | 60424.62 |
| G 25.0 | 59791.14 | 59777.13 | 59791.14 | 59781.28 | 59768.20 | 59791.56 | 59794.85 | 59789.00 | 59837.55 | 59850.87 |
| G 30.0 | 59077.17 | 59064.68 | 59077.17 | 59087.12 | 59099.57 | 59116.69 | 59111.40 | 59103.52 | 59192.35 | 59208.52 |
| G 35.0 | 58346.62 | 58302.38 | 58346.62 | 58321.55 | 58279.71 | 58325.63 | 58301.50 | 58251.67 | 58375.02 | 58423.89 |
| G 40.0 | 57396.68 | 57302.82 | 57396.68 | 57401.38 | 57357.45 | 57381.97 | 57400.85 | 57412.35 | 57542.92 | 57555.78 |
| G 45.0 | 56328.41 | 56293.01 | 56328.41 | 56327.02 | 56317.43 | 56383.98 | 56376.23 | 56342.93 | 56578.64 | 56652.56 |
| G 50.0 | 55149.51 | 55084.88 | 55149.51 | 55158.79 | 55135.69 | 55139.26 | 55128.26 | 55102.69 | 55217.43 | 55271.47 |
| G 55.0 | 53796.99 | 53711.58 | 53796.99 | 53785.17 | 53723.53 | 53737.43 | 53737.17 | 53742.31 | 54071.10 | 54150.02 |
| G 60.0 | 51261.10 | 50349.93 | 51261.10 | 51020.00 | 50311.62 | 50805.33 | 50935.88 | 50510.12 | 50958.99 | 51344.81 |
| G 65.0 | 36514.94 | 35461.49 | 36514.94 | 36079.25 | 35019.77 | 35480.07 | 35538.54 | 35356.87 | 37010.38 | 37852.45 |
| G 70.0 | 8651.38 | 9376.73 | 8651.38 | 8772.33 | 9041.34 | 8092.81 | 7895.78 | 8843.57 | 9338.74 | 9513.14 |
| G 75.0 | 1694.95 | 1823.89 | 1694.95 | 1720.62 | 1817.07 | 1772.95 | 1796.25 | 1880.65 | 1814.47 | 1839.64 |
| G 80.0 | 2017.31 | 2014.10 | 2017.31 | 2020.35 | 2023.23 | 2044.86 | 2036.62 | 2020.69 | 2061.72 | 2067.52 |
| G 85.0 | 2520.64 | 2590.58 | 2520.64 | 2531.93 | 2586.28 | 2569.02 | 2530.56 | 2532.64 | 2577.16 | 2556.16 |
| G 90.0 | 0.00 | 0.00 | 0.00 | 0.00 | 0.00 | 0.00 | 0.00 | 0.00 | 0.00 | 0.00 |



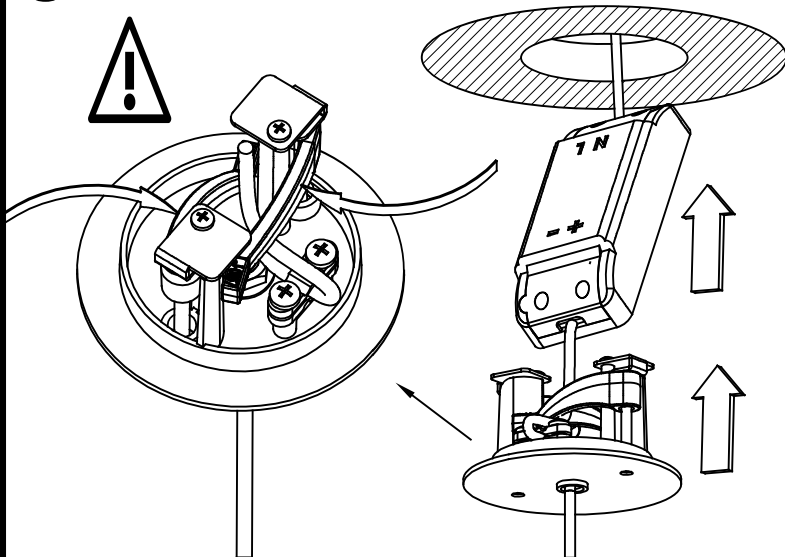
1



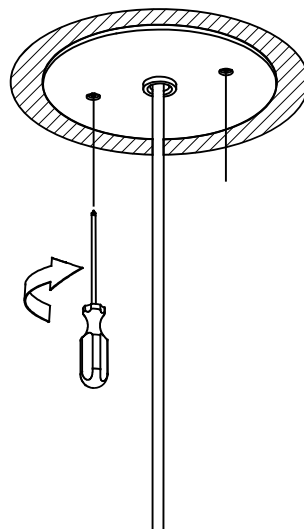
2



3



4



5

