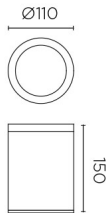


15-9362-Z5-37

V0

Cosmos E27 Ceiling fixture

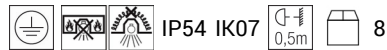
Designer: LEDS C4



Description

Ceiling fixture IP54 Cosmos E27 E27/PAR-30 75W Urban grey

	Finish	Material
Structure	Urban grey	Aluminium
Diffuser	Transparent	Glass



TECHNICAL CHARACTERISTICS

Light source

Lampholder: 1 x E27/PAR-30
 Light source power (W): 75W
 Luminaire total power (W): 75W
 Lamp maximum dimension: 90/97 mm
 Quantity: 1
 Recommended lamp: E27/PAR-30

GEAR

Voltage / Frequency:
 100-240V/50-60Hz

Luminaire

Double cable exit: No
 Drainage: No
 Seaside: Yes
 Uv Protection: Yes
 Warranty: 5 Years

Logistics

Energy Efficiency: NO BULB
 EAN Code: 8435111067390
 Net Weight (Kg): 0.63
 Weight in Kg (packaged): 0.76
 Packing: 120 x 120 x 150
 Masterbox: 8

Smart Compatible

71-8219-00-00: LightForLife
 RGBW E27 Light Bulb

The photograph may not match the reference exactly. Please read the product description to identify the finish.

Luminaire

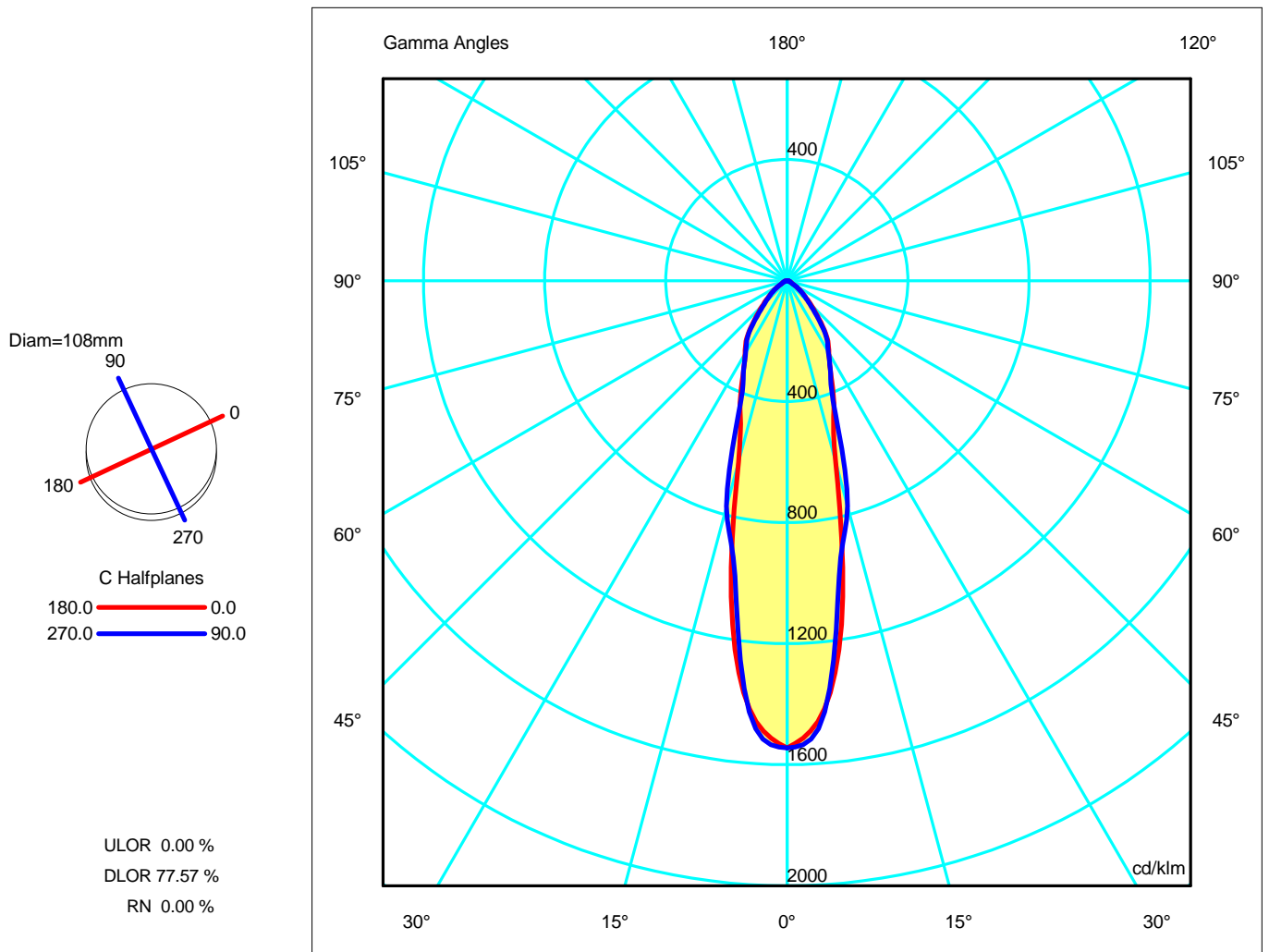
Code 15-9362-Z5-37
 Name Downlight COSMOS 50W PAR30 E27

Measur.

Code 15-9362-Z5-37
 Name Downlight COSMOS 50W PAR30 E27

Luminaire Flux	822.29 lm	Luminaire Power	75.00 W	Efficacy	10.96 lm/W	Efficiency	77.57%
Lamps Flux	1060.00 lm	Maximum value	1544.54 cd/klm	Position	C=0.00 G=0.00	CG Double Symmetrical	
Round Luminaire Round Luminous Area		Diam. Diam.	108 mm 83 mm	Height Height	140 mm 0 mm		
Horizontal Luminous Area Emitting area on Plane 0° Emitting area on Plane 90°		0.005411 m2 0.000000 m2 0.000000 m2		Emitting area on Plane 180° Emitting area on Plane 270° Glare area at 76°		0.000000 m2 0.000000 m2 0.001309 m2	
Coordinate system Date Measurement Distance		CG 15-03-2017 0.00		Symmetry Type Maximum Gamma Angle Measurement Flux		Double Symmetrical 90 1060.00 lm	
Operator Temperature Humidity Notes		Asselum T3 25.00 °C 60.00 %		Source Voltage [V] Source current [A] Photocell			

Luminaire Lamps						
Line	Code	Name	Flux [lm]	Pow. [W]	Q.ty	
	0021231	0021231	1060.00	75.00	1	
C.I.E. F UTE	83 97 99 100 78 0.78 B					D DIN 5040 B NBN A60 BZ 1



Luminaire

Code 15-9362-Z5-37
Name Downlight COSMOS 50W PAR30 E27

Measurment.

Code 15-9362-Z5-37
Name Downlight COSMOS 50W PAR30 E27

Luminaire Flux	822.29 lm	Luminaire Power	75.00 W	Efficacy	10.96 lm/W	Efficiency	77.57%
Lamps Flux	1060.00 lm	Maximum value	1544.54 cd/klm	Position	C=0.00 G=0.00	CG	Double Symmetrical

Luminous Intensity Table cd/klm Table 1/1

	C 0.00	C 15.00	C 30.00	C 45.00	C 60.00	C 75.00	C 90.00
G 0.0	1544.54	1544.54	1544.54	1544.54	1544.54	1544.54	1544.54
G 5.0	1421.11	1422.51	1423.99	1423.49	1438.72	1440.02	1430.87
G 10.0	1060.93	1044.68	1036.81	1018.44	1002.65	997.38	991.46
G 15.0	619.61	644.01	670.70	699.07	720.29	760.67	771.67
G 20.0	453.36	463.93	457.65	469.10	466.56	469.24	466.58
G 25.0	343.68	350.56	343.39	342.71	346.81	347.26	340.83
G 30.0	276.90	287.71	283.29	274.97	284.34	278.94	272.86
G 35.0	231.16	240.09	224.99	222.00	235.15	227.94	226.35
G 40.0	163.78	163.36	159.45	155.40	156.32	155.20	153.73
G 45.0	110.78	115.58	108.17	108.44	106.35	97.75	100.13
G 50.0	73.28	74.14	70.96	70.95	71.19	67.13	69.48
G 55.0	47.35	48.11	46.59	47.68	46.25	43.98	45.14
G 60.0	23.63	23.85	21.78	22.24	21.78	22.56	22.31
G 65.0	14.66	14.82	14.52	14.22	13.76	13.55	13.72
G 70.0	11.06	10.98	10.80	10.79	10.52	10.39	10.37
G 75.0	6.97	6.96	6.97	7.10	7.10	7.15	7.11
G 80.0	3.00	2.93	2.94	2.95	2.96	2.92	2.93
G 85.0	0.97	0.97	0.98	0.99	1.01	1.07	1.08
G 90.0	0.85	0.84	0.84	0.86	0.90	0.95	0.98

Luminaire

Code 15-9362-Z5-37
 Name Downlight COSMOS 50W PAR30 E27

Measurment.

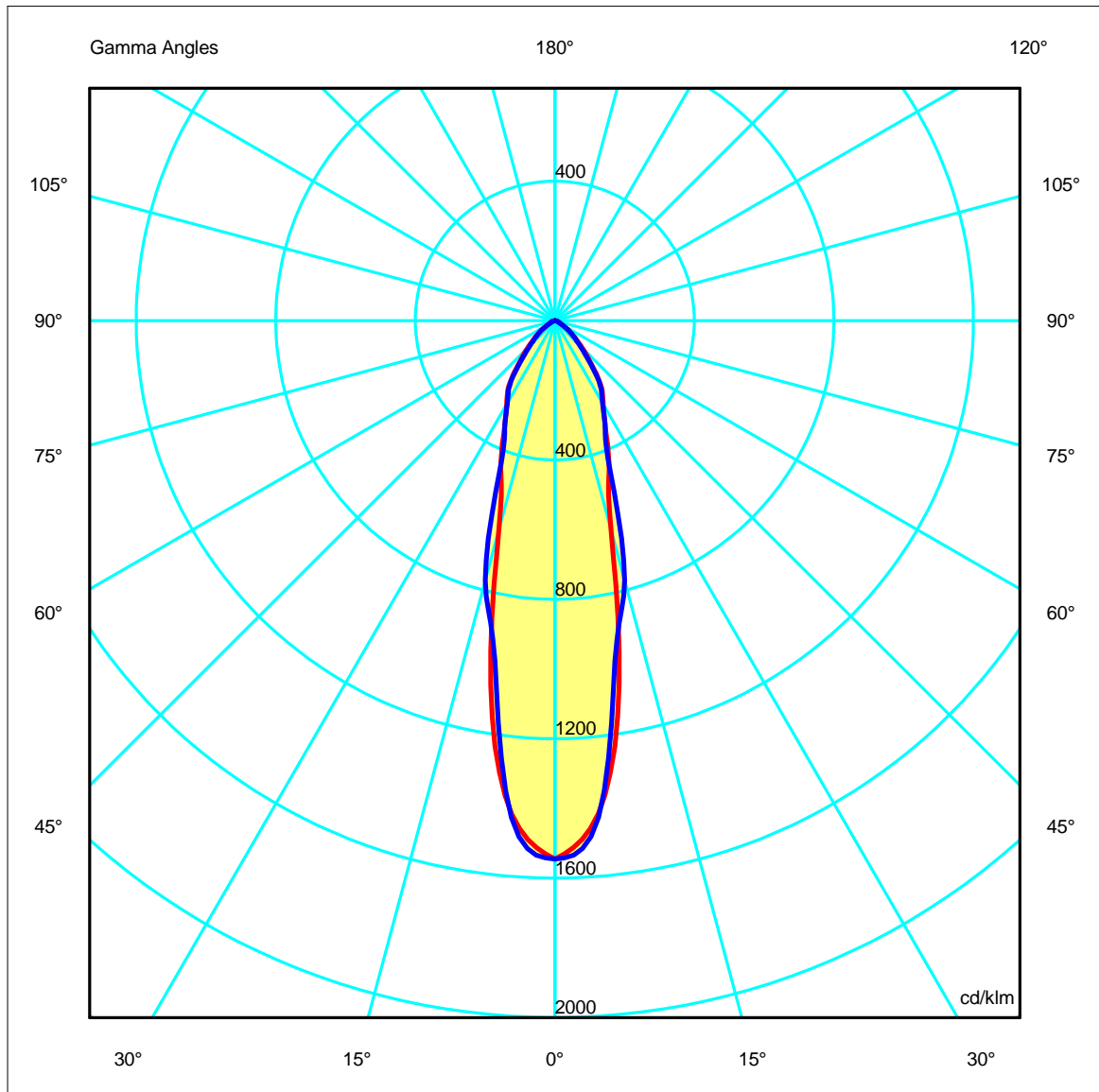
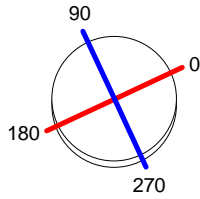
Code 15-9362-Z5-37
 Name Downlight COSMOS 50W PAR30 E27

Luminaire Flux	822.29 lm	Luminaire Power	75.00 W	Efficacy	10.96 lm/W	Efficiency	77.57%
Lamps Flux	1060.00 lm	Maximum value	1544.54 cd/klm	Position	C=0.00 G=0.00	CG	Double Symmetrical

Diam=108mm

C Halfplanes

180.0 ——— 0.0
 270.0 ——— 90.0



Luminaire

 Code 15-9362-Z5-37
 Name Downlight COSMOS 50W PAR30 E27

Measurment.

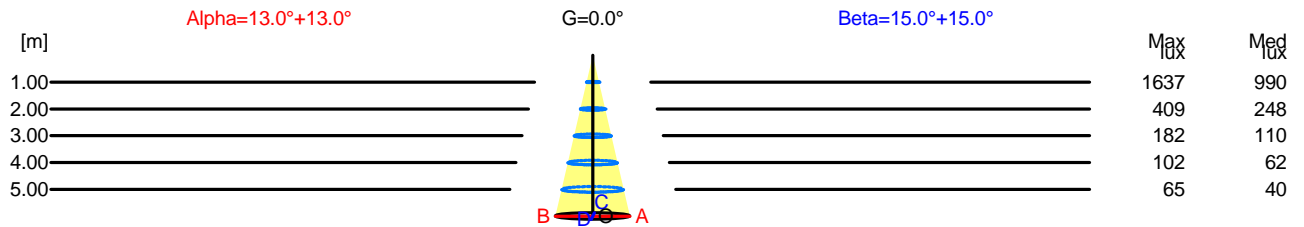
 Code 15-9362-Z5-37
 Name Downlight COSMOS 50W PAR30 E27

Luminaire Flux	822.29 lm	Luminaire Power	75.00 W	Efficacy	10.96 lm/W	Efficiency	77.57%
Lamps Flux	1060.00 lm	Maximum value	1544.54 cd/klm	Position	C=0.00 G=0.00	CG	Double Symmetrical

Width at 50.00 % of Max Intensity

H[m]	1.00	2.00	3.00	4.00	5.00	H[m]	1.00	2.00	3.00	4.00	5.00
OA	0.23	0.46	0.69	0.93	1.16	OC	0.27	0.54	0.80	1.07	1.34
OB	0.23	0.46	0.69	0.93	1.16	OD	0.27	0.54	0.80	1.07	1.34

	Luminous Intensities [cd/klm]									
	0	5	15	25	35	45	55	65	75	85
OA	1637.22	1506.38	656.78	364.30	245.03	117.43	50.19	15.54	7.38	1.03
OB	1637.22	1506.38	656.78	364.30	245.03	117.43	50.19	15.54	7.38	1.03
OC	1637.22	1516.73	817.97	361.28	239.94	106.13	47.85	14.54	7.54	1.14
OD	1637.22	1516.73	817.97	361.28	239.94	106.13	47.85	14.54	7.54	1.14



H[m]	D[m]	Max lux	Med lux	Alpha=13.0°+13.0°	G=0.0
1.00	0.46	1637	990		
2.00	0.93	409	248		
3.00	1.39	182	110		
4.00	1.85	102	62		
5.00	2.32	65	40		

H[m]	D[m]	Max lux	Med lux	Beta=15.0°+15.0°	G=0.0
1.00	0.54	1637	990		
2.00	1.07	409	248		
3.00	1.61	182	110		
4.00	2.14	102	62		
5.00	2.68	65	40		

Luminaire

Code 15-9362-Z5-37
Name Downlight COSMOS 50W PAR30 E27

Measurement

Code 15-9362-Z5-37
Name Downlight COSMOS 50W PAR30 E27

Luminaire Flux	822.29 lm	Luminaire Power	75.00 W	Efficacy	10.96 lm/W	Efficiency	77.57%
Lamps Flux	1060.00 lm	Maximum value	1544.54 cd/klm	Position	C=0.00 G=0.00	CG	Double Symmetrical

UGR
S = 0.250

Reflectancies										
Ceiling/Cavity	0.7	0.7	0.5	0.5	0.3	0.7	0.7	0.5	0.5	0.3
Walls	0.5	0.3	0.5	0.3	0.3	0.5	0.3	0.5	0.3	0.3
WorkingPlane	0.2	0.2	0.2	0.2	0.2	0.2	0.2	0.2	0.2	0.2
RoomDimensions	ViewedCrosswise					ViewedEndwise				
x=2H y=2H	20.0	20.8	20.2	21.0	20.9	19.7	20.5	19.9	20.7	20.9
x=2H y=3H	20.1	20.9	20.4	21.1	21.0	19.8	20.6	20.1	20.8	21.0
x=2H y=4H	20.2	20.9	20.5	21.2	21.1	19.9	20.6	20.2	20.9	21.1
x=2H y=6H	20.2	20.9	20.5	21.1	21.1	19.9	20.6	20.2	20.8	21.1
x=2H y=8H	20.2	20.8	20.5	21.1	21.1	19.9	20.5	20.2	20.8	21.1
x=2H y=12H	20.1	20.7	20.5	21.0	21.1	19.8	20.4	20.2	20.8	21.1
x=4H y=2H	20.0	20.7	20.3	21.0	20.9	19.7	20.4	20.0	20.7	20.9
x=4H y=3H	20.2	20.8	20.6	21.1	21.2	19.9	20.5	20.3	20.8	21.2
x=4H y=4H	20.4	20.9	20.7	21.2	21.3	20.1	20.6	20.5	20.9	21.3
x=4H y=6H	20.4	20.8	20.8	21.2	21.3	20.1	20.6	20.5	20.9	21.3
x=4H y=8H	20.4	20.8	20.8	21.2	21.3	20.1	20.5	20.5	20.9	21.3
x=4H y=12H	20.4	20.7	20.8	21.1	21.3	20.1	20.5	20.5	20.9	21.3
x=8H y=4H	20.4	20.7	20.8	21.1	21.3	20.1	20.5	20.5	20.9	21.3
x=8H y=6H	20.4	20.7	20.9	21.2	21.3	20.2	20.5	20.6	20.9	21.3
x=8H y=8H	20.4	20.7	20.9	21.1	21.4	20.2	20.4	20.6	20.9	21.4
x=8H y=12H	20.4	20.6	20.9	21.1	21.3	20.2	20.4	20.6	20.8	21.3
x=12H y=4H	20.3	20.7	20.8	21.1	21.2	20.1	20.4	20.5	20.8	21.2
x=12H y=6H	20.4	20.7	20.9	21.1	21.3	20.2	20.4	20.6	20.9	21.3
x=12H y=8H	20.4	20.6	20.9	21.1	21.3	20.2	20.4	20.6	20.8	21.3

Luminaire

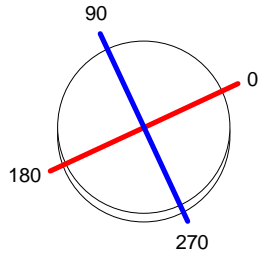
Code 15-9362-Z5-37
 Name Downlight COSMOS 50W PAR30 E27

Measur.

Code 15-9362-Z5-37
 Name Downlight COSMOS 50W PAR30 E27

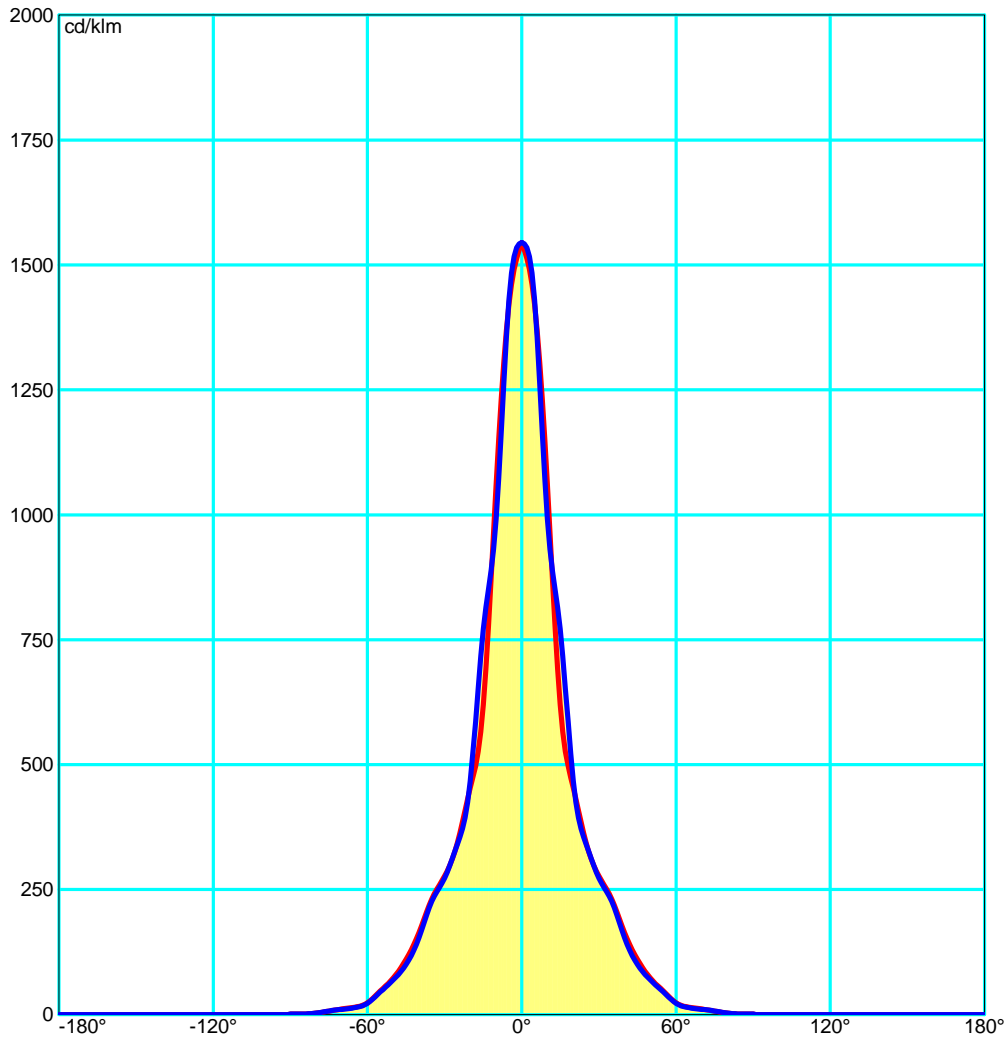
Luminaire Flux	822.29 lm	Luminaire Power	75.00 W	Efficacy	10.96 lm/W	Efficiency	77.57%
Lamps Flux	1060.00 lm	Maximum value	1544.54 cd/klm	Position	C=0.00 G=0.00	CG	Double Symmetrical

Diam=108mm



C Halfplanes

180.0 ———— 0.0
 270.0 ———— 90.0



Luminaire

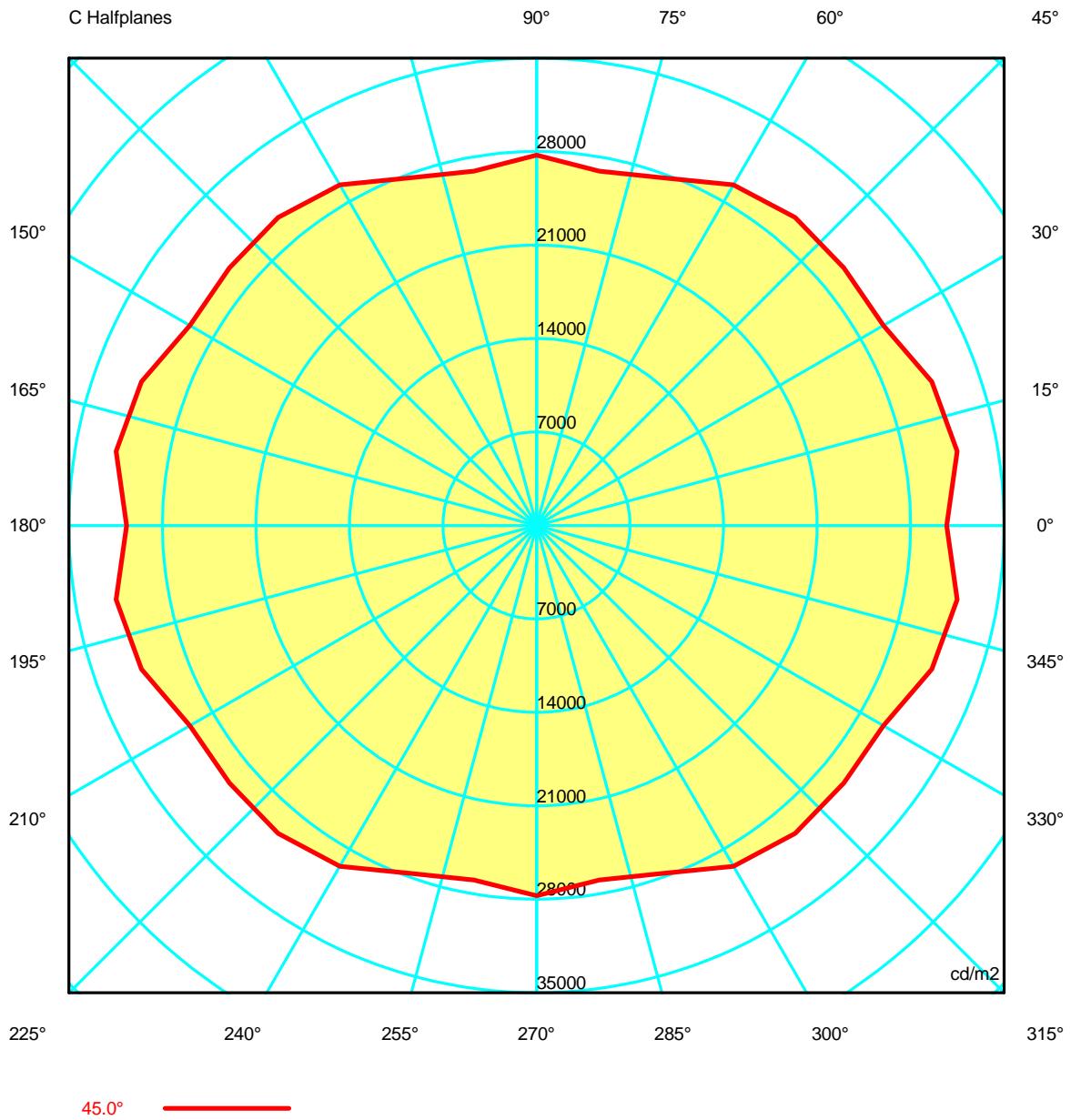
Code 15-9362-Z5-37
 Name Downlight COSMOS 50W PAR30 E27

Measur.

Code 15-9362-Z5-37
 Name Downlight COSMOS 50W PAR30 E27

Luminaire Flux	822.29 lm	Luminaire Power	75.00 W	Efficacy	10.96 lm/W	Efficiency	77.57%
Lamps Flux	1060.00 lm	Maximum value	1544.54 cd/klm	Position	C=0.00 G=0.00	CG	Double Symmetrical

Luminance



Luminaire

Code 15-9362-Z5-37
Name Downlight COSMOS 50W PAR30 E27

Measurerm.

Code 15-9362-Z5-37
Name Downlight COSMOS 50W PAR30 E27

Luminaire Flux	822.29 lm	Luminaire Power	75.00 W	Efficacy	10.96 lm/W	Efficiency	77.57%
Lamps Flux	1060.00 lm	Maximum value	1544.54 cd/klm	Position	C=0.00 G=0.00	CG	Double Symmetrical

Luminance cd/m2 Table 1/3

	C 0.00	C 10.00	C 20.00	C 30.00	C 40.00	C 50.00	C 60.00	C 70.00	C 80.00	C 90.00	C 100.00	C 110.00	C 120.00
G 0.0	302572.07	302572.07	302572.07	302572.07	302572.07	302572.07	302572.07	302572.07	302572.07	302572.07	302572.07	302572.07	302572.07
G 5.0	279455.59	279600.35	279906.10	280020.80	279956.12	280779.40	282918.56	283459.17	282682.29	281374.76	282682.29	283459.17	282918.56
G 10.0	211040.31	208663.53	207276.01	206241.29	203950.91	201320.01	199446.59	198654.59	198066.09	197219.54	198066.09	198654.59	199446.59
G 15.0	125660.82	128944.35	132314.03	136024.08	140088.95	143033.95	146080.33	151753.58	155718.57	156499.81	155718.57	151753.58	146080.33
G 20.0	94512.53	96450.71	96284.64	95405.97	97013.86	97615.97	97262.94	97593.75	97806.15	97268.55	97806.15	97593.75	97262.94
G 25.0	74285.71	75607.67	75429.22	74223.95	73907.73	74357.21	74961.83	75196.36	74720.00	73669.73	74720.00	75196.36	74961.83
G 30.0	62635.35	64550.23	65145.06	64080.99	62416.88	62755.57	64318.73	63774.49	62536.06	61720.67	62536.06	63774.49	64318.73
G 35.0	55280.17	57314.37	56574.46	53806.64	52642.30	54205.96	56236.45	55308.24	54384.32	54131.96	54384.32	55308.24	56236.45
G 40.0	41883.14	41811.92	41536.26	40775.34	39957.36	39744.70	39974.64	39840.92	39550.66	39313.79	39550.66	39840.92	39974.64
G 45.0	30690.99	31968.50	31475.51	29967.92	30016.69	30114.88	29463.29	27721.26	26961.28	27739.24	26961.28	27721.26	29463.29
G 50.0	22331.56	22652.51	22321.22	21625.40	21623.09	21646.70	21696.24	20792.22	20471.24	21174.53	20471.24	20792.22	21696.24
G 55.0	16171.13	16450.51	16255.61	15912.33	16159.29	16251.92	15795.89	15187.16	15038.10	15417.15	15038.10	15187.16	15795.89
G 60.0	9259.75	9433.61	9077.37	8534.98	8628.86	8677.37	8532.72	8728.20	8863.59	8742.71	8863.59	8728.20	8532.72
G 65.0	6797.17	6868.77	6838.72	6728.46	6641.19	6524.34	6379.68	6291.27	6291.82	6358.13	6291.82	6291.27	6379.68
G 70.0	6333.90	6314.43	6251.67	6186.34	6183.56	6142.08	6027.19	5965.04	5945.41	5939.35	5945.41	5965.04	6027.19
G 75.0	5272.65	5269.58	5262.22	5277.66	5344.37	5371.06	5371.72	5400.64	5412.36	5384.39	5412.36	5400.64	5371.72
G 80.0	3385.32	3319.97	3299.14	3315.92	3325.48	3333.90	3334.73	3309.58	3293.85	3300.91	3293.85	3309.58	3334.73
G 85.0	2191.34	2182.07	2186.57	2203.55	2219.83	2235.35	2278.42	2373.01	2415.69	2422.31	2415.69	2373.01	2278.42
G 90.0	0.00	0.00	0.00	0.00	0.00	0.00	0.00	0.00	0.00	0.00	0.00	0.00	0.00

Luminaire

Code 15-9362-Z5-37
Name Downlight COSMOS 50W PAR30 E27

Measuram.

Code 15-9362-Z5-37
Name Downlight COSMOS 50W PAR30 E27

Luminaire Flux	822.29 lm	Luminaire Power	75.00 W	Efficacy	10.96 lm/W	Efficiency	77.57%
Lamps Flux	1060.00 lm	Maximum value	1544.54 cd/klm	Position	C=0.00 G=0.00	CG	Double Symmetrical

Luminance cd/m2 Table 2/3

	C 130.00	C 140.00	C 150.00	C 160.00	C 170.00	C 180.00	C 190.00	C 200.00	C 210.00	C 220.00	C 230.00	C 240.00	C 250.00
G 0.0	302572.07	302572.07	302572.07	302572.07	302572.07	302572.07	302572.07	302572.07	302572.07	302572.07	302572.07	302572.07	302572.07
G 5.0	280779.40	279956.12	280020.80	279906.10	279600.35	279455.59	279600.35	279906.10	280020.80	279956.12	280779.40	282918.56	283459.17
G 10.0	201320.01	203950.91	206241.29	207276.01	208663.53	211040.31	208663.53	207276.01	206241.29	203950.91	201320.01	199446.59	198654.59
G 15.0	143033.95	140088.95	136024.08	132314.03	128944.35	125660.82	128944.35	132314.03	136024.08	140088.95	143033.95	146080.33	151753.58
G 20.0	97615.97	97013.86	95405.97	96284.64	96450.71	94512.53	96450.71	96284.64	95405.97	97013.86	97615.97	97262.94	97593.75
G 25.0	74357.21	73907.73	74223.95	75429.22	75607.67	74285.71	75607.67	75429.22	74223.95	73907.73	74357.21	74961.83	75196.36
G 30.0	62755.57	62416.88	64080.99	65145.06	64550.23	62635.35	64550.23	65145.06	64080.99	62416.88	62755.57	64318.73	63774.49
G 35.0	54205.96	52642.30	53806.64	56574.46	57314.37	55280.17	57314.37	56574.46	53806.64	52642.30	54205.96	56236.45	55308.24
G 40.0	39744.70	39957.36	40775.34	41536.26	41811.92	41883.14	41811.92	41536.26	40775.34	39957.36	39744.70	39974.64	39840.92
G 45.0	30114.88	30016.69	29967.92	31475.51	31968.50	30690.99	31968.50	31475.51	29967.92	30016.69	30114.88	29463.29	27721.26
G 50.0	21646.70	21623.09	21625.40	22321.22	22652.51	22331.56	22652.51	22321.22	21625.40	21623.09	21646.70	21696.24	20792.22
G 55.0	16251.92	16159.29	15912.33	16255.61	16450.51	16171.13	16450.51	16255.61	15912.33	16159.29	16251.92	15795.89	15187.16
G 60.0	8677.37	8628.86	8534.98	9077.37	9433.61	9259.75	9433.61	9077.37	8534.98	8628.86	8677.37	8532.72	8728.20
G 65.0	6524.34	6641.19	6728.46	6838.72	6868.77	6797.17	6868.77	6838.72	6728.46	6641.19	6524.34	6379.68	6291.27
G 70.0	6142.08	6183.56	6186.34	6251.67	6314.43	6333.90	6314.43	6251.67	6186.34	6183.56	6142.08	6027.19	5965.04
G 75.0	5371.06	5344.37	5277.66	5262.22	5269.58	5272.65	5269.58	5262.22	5277.66	5344.37	5371.06	5371.72	5400.64
G 80.0	3333.90	3325.48	3315.92	3299.14	3319.97	3385.32	3319.97	3299.14	3315.92	3325.48	3333.90	3334.73	3309.58
G 85.0	2235.35	2219.83	2203.55	2186.57	2182.07	2191.34	2182.07	2186.57	2203.55	2219.83	2235.35	2278.42	2373.01
G 90.0	0.00	0.00	0.00	0.00	0.00	0.00	0.00	0.00	0.00	0.00	0.00	0.00	0.00

Luminaire

Code 15-9362-Z5-37
Name Downlight COSMOS 50W PAR30 E27

Measur.

Code 15-9362-Z5-37
Name Downlight COSMOS 50W PAR30 E27

Luminaire Flux	822.29 lm	Luminaire Power	75.00 W	Efficacy	10.96 lm/W	Efficiency	77.57%
Lamps Flux	1060.00 lm	Maximum value	1544.54 cd/klm	Position	C=0.00 G=0.00	CG	Double Symmetrical

Luminance cd/m2 Table 3/3

	C 260.00	C 270.00	C 280.00	C 290.00	C 300.00	C 310.00	C 320.00	C 330.00	C 340.00	C 350.00
G 0.0	302572.07	302572.07	302572.07	302572.07	302572.07	302572.07	302572.07	302572.07	302572.07	302572.07
G 5.0	282682.29	281374.76	282682.29	283459.17	282918.56	280779.40	279956.12	280020.80	279906.10	279600.35
G 10.0	198066.09	197219.54	198066.09	198654.59	199446.59	201320.01	203950.91	206241.29	207276.01	208663.53
G 15.0	155718.57	156499.81	155718.57	151753.58	146080.33	143033.95	140088.95	136024.08	132314.03	128944.35
G 20.0	97806.15	97268.55	97806.15	97593.75	97262.94	97615.97	97013.86	95405.97	96284.64	96450.71
G 25.0	74720.00	73669.73	74720.00	75196.36	74961.83	74357.21	73907.73	74223.95	75429.22	75607.67
G 30.0	62536.06	61720.67	62536.06	63774.49	64318.73	62755.57	62416.88	64080.99	65145.06	64550.23
G 35.0	54384.32	54131.96	54384.32	55308.24	56236.45	54205.96	52642.30	53806.64	56574.46	57314.37
G 40.0	39550.66	39313.79	39550.66	39840.92	39974.64	39744.70	39957.36	40775.34	41536.26	41811.92
G 45.0	26961.28	27739.24	26961.28	27721.26	29463.29	30114.88	30016.69	29967.92	31475.51	31968.50
G 50.0	20471.24	21174.53	20471.24	20792.22	21696.24	21646.70	21623.09	21625.40	22321.22	22652.51
G 55.0	15038.10	15417.15	15038.10	15187.16	15795.89	16251.92	16159.29	15912.33	16255.61	16450.51
G 60.0	8863.59	8742.71	8863.59	8728.20	8532.72	8677.37	8628.86	8534.98	9077.37	9433.61
G 65.0	6291.82	6358.13	6291.82	6291.27	6379.68	6524.34	6641.19	6728.46	6838.72	6868.77
G 70.0	5945.41	5939.35	5945.41	5965.04	6027.19	6142.08	6183.56	6186.34	6251.67	6314.43
G 75.0	5412.36	5384.39	5412.36	5400.64	5371.72	5371.06	5344.37	5277.66	5262.22	5269.58
G 80.0	3293.85	3300.91	3293.85	3309.58	3334.73	3333.90	3325.48	3315.92	3299.14	3319.97
G 85.0	2415.69	2422.31	2415.69	2373.01	2278.42	2235.35	2219.83	2203.55	2186.57	2182.07
G 90.0	0.00	0.00	0.00	0.00	0.00	0.00	0.00	0.00	0.00	0.00

Luminaire

Code 15-9362-Z5-37
 Name Downlight COSMOS 50W PAR30 E27

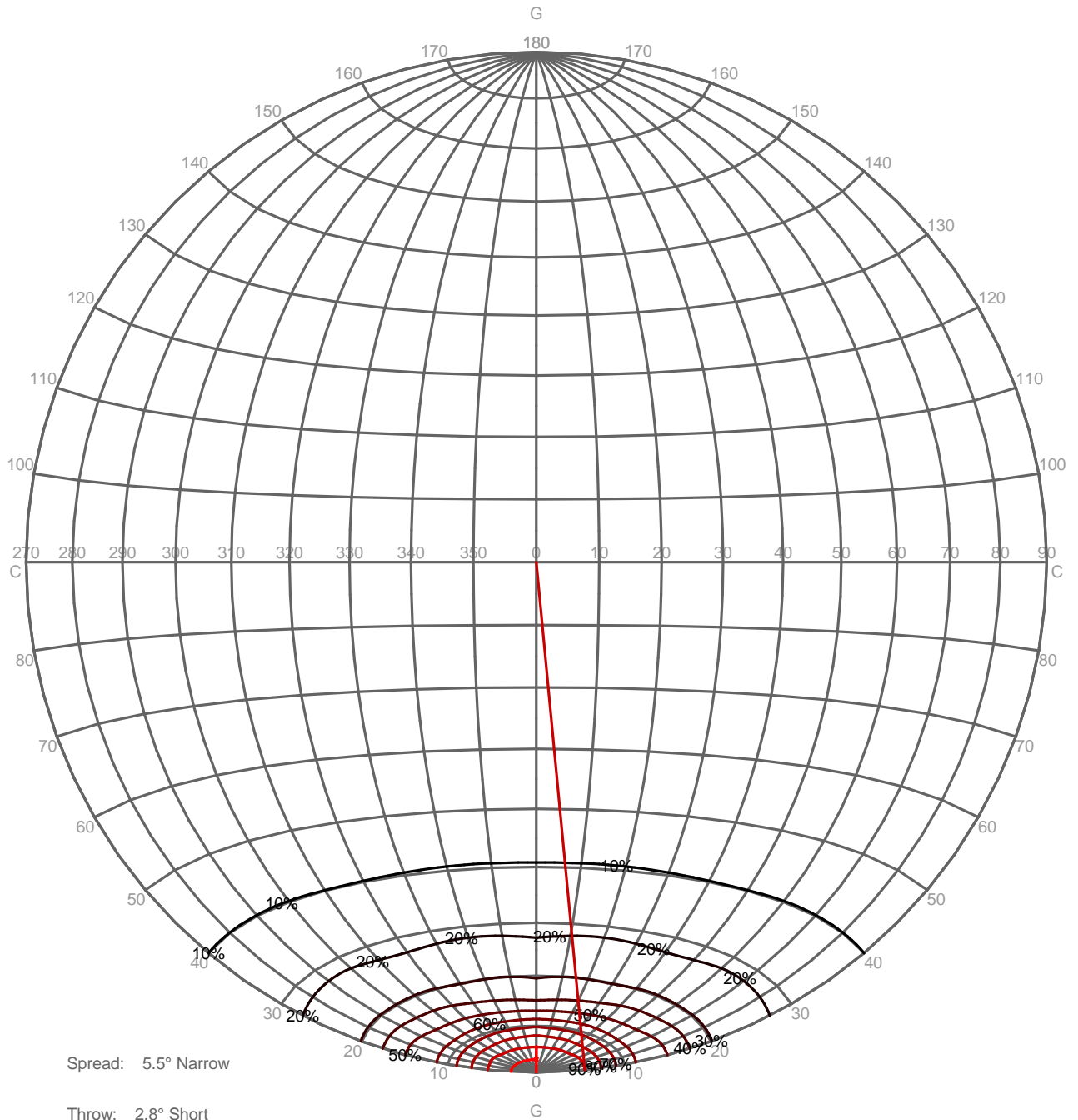
Measurment.

Code 15-9362-Z5-37
 Name Downlight COSMOS 50W PAR30 E27

Luminaire Flux	822.29 lm	Luminaire Power	75.00 W	Efficacy	10.96 lm/W	Efficiency	77.57%
Lamps Flux	1060.00 lm	Maximum value	1544.54 cd/klm	Position	C=0.00 G=0.00	CG	Double Symmetrical

PERCENTAGE ISOCANDLES

Projection: Equal Area SLI 9.4 Tight Tilting Angle:0°



Luminaire

Code 15-9362-Z5-37
 Name Downlight COSMOS 50W PAR30 E27

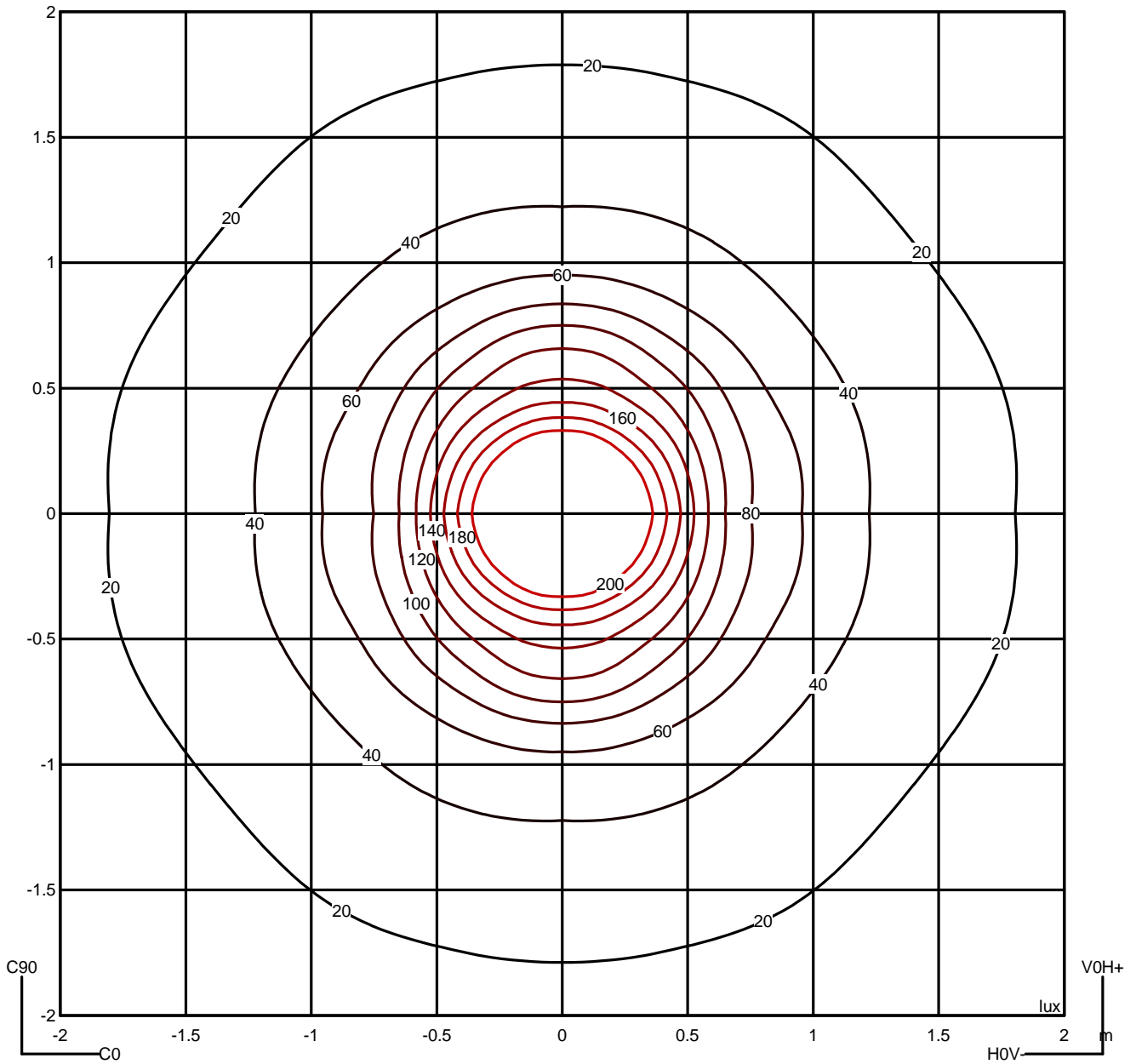
Measurerm.

Code 15-9362-Z5-37
 Name Downlight COSMOS 50W PAR30 E27

Luminaire Flux	822.29 lm	Luminaire Power	75.00 W	Efficacy	10.96 lm/W	Efficiency	77.57%
Lamps Flux	1060.00 lm	Maximum value	1544.54 cd/klm	Position	C=0.00 G=0.00	CG	Double Symmetrical

Isolux (Floor)

Luminaire position X=0.00m Y=0.00m Z=2.50m



Luminaire

Code 15-9362-Z5-37
 Name Downlight COSMOS 50W PAR30 E27

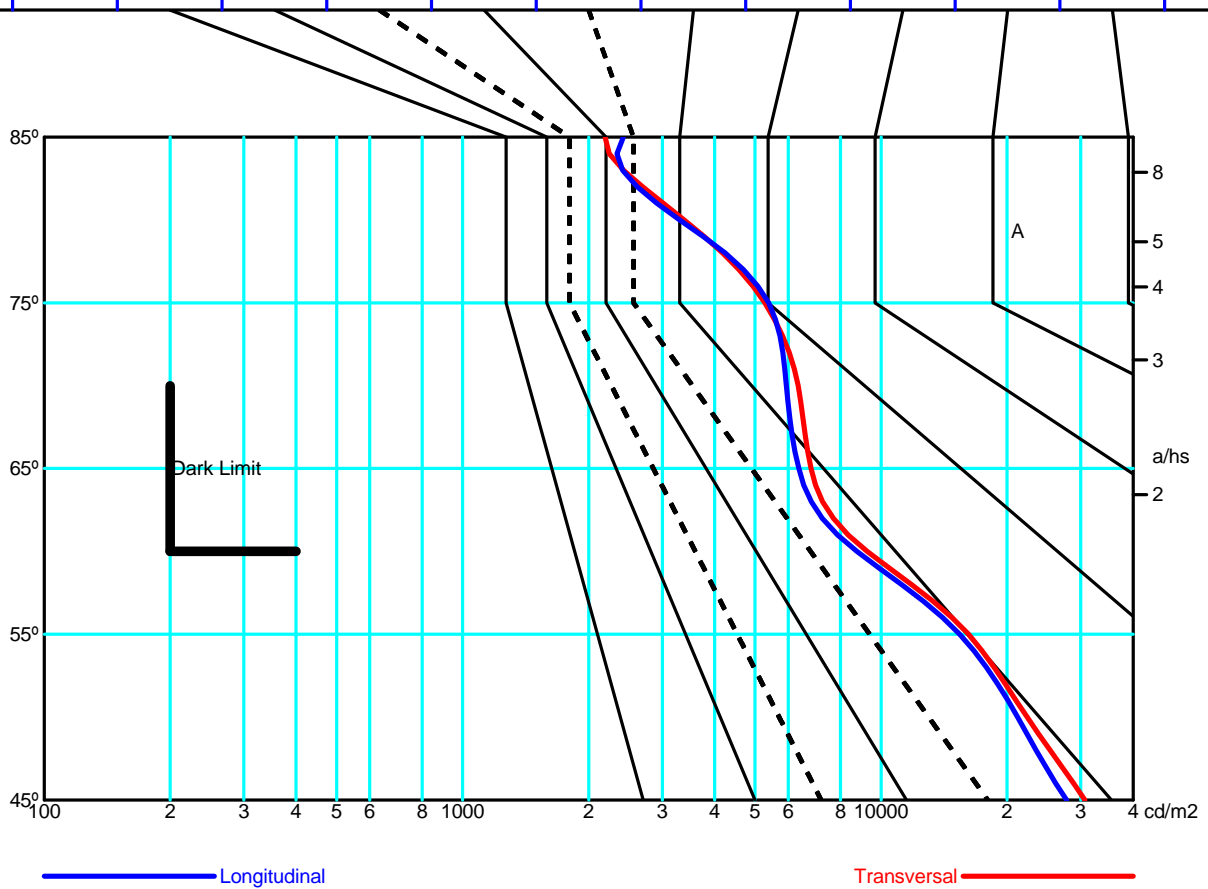
Measurment.

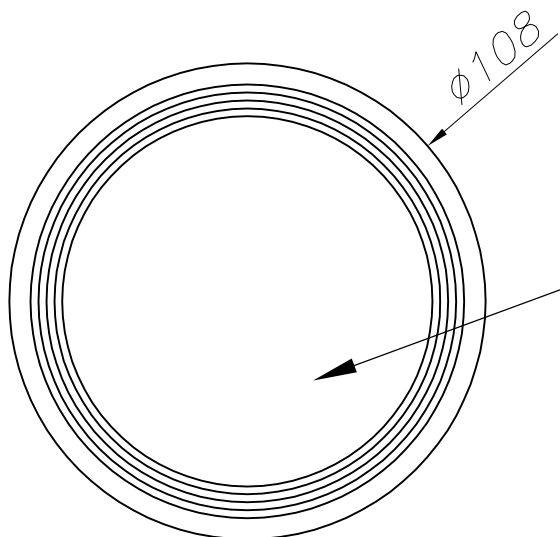
Code 15-9362-Z5-37
 Name Downlight COSMOS 50W PAR30 E27

Luminaire Flux	822.29 lm	Luminaire Power	75.00 W	Efficacy	10.96 lm/W	Efficiency	77.57%
Lamps Flux	1060.00 lm	Maximum value	1544.54 cd/klm	Position	C=0.00 G=0.00	CG	Double Symmetrical

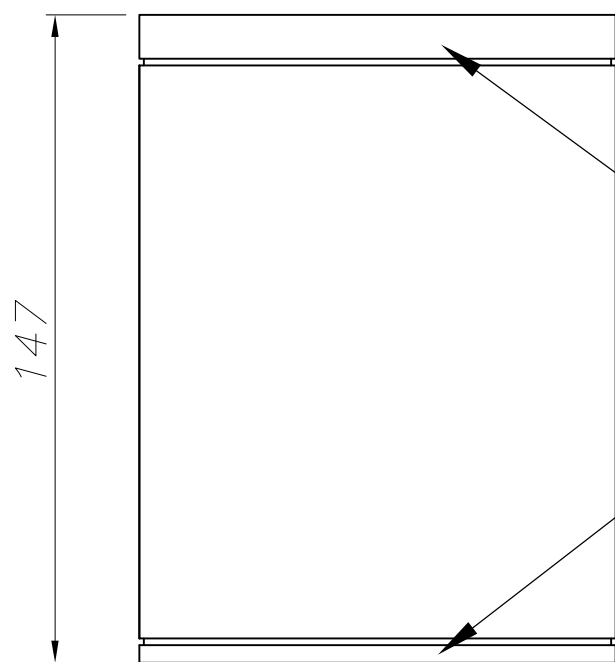
Average Luminance [cd/m ²]										
	45°	50°	55°	60°	65°	70°	75°	80°	85°	
0.0°	30691	22332	16171	9260	6797	6334	5273	3385	2191	---
90.0°	27739	21175	15417	8743	6358	5939	5384	3301	2422	---

Flush mounted or longitudinal view												
		Illumination(Ix)										
A	A	2000	1000	750	500		<300					1.15
B	1		2000	1500	1000	750	500	<300				1.5
C					2000		1000	500	<300			1.85
D	2						2000	1000	500	<300		2.2
E	3							2000	1000	500	<300	2.55



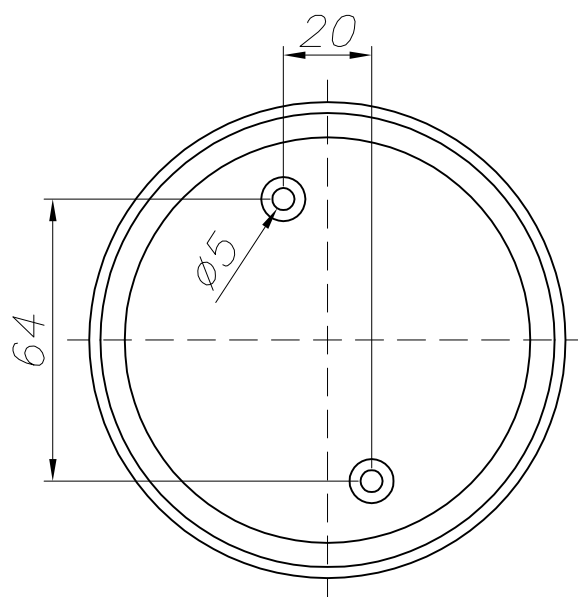


CRISTAL TRANSPARENTE
TRANSPARENT GLASS



ALUMINIO EXTRUIDO
EXTRUDED ALUMINIUM

ALUMINIO INYECTADO
INJECTED ALUMINIUM



PLANTILLA DE INSTALACIÓN
INSTALLATION TEMPLATE

