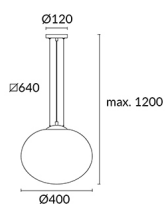


## Nimes Pendant

**Description**

Pendant Nimes E27 100W Satin nickel

	Finish	Material
<b>Structure</b>	Satin nickel	Steel
<b>Diffuser</b>	Opal	Glass

**TECHNICAL CHARACTERISTICS****Light source**

Lampholder: 1 x E27  
 Light source power (W): MAX 100W  
 Luminaire total power (W): 100W  
 Lamp maximum dimension: 230/90 mm  
 Quantity: 1  
 Life Time: 50.000h L80B20  
 Recommended lamp: E27

**GEAR**

Voltage / Frequency:  
 100-240V/50-60Hz

**Luminaire**

Warranty: 5 Years

**Logistics**

Energy Efficiency: NO BULB  
 EAN Code: 8435111099155  
 Net Weight (Kg): 2.4  
 Weight in Kg (packaged): 3.87  
 Packing: 480 x 410 x 545  
 Masterbox: 1

**Smart Compatible**

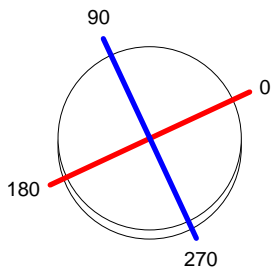
71-8219-00-00: LightForLife  
 RGBW E27 Light Bulb

The photograph may not match the reference exactly. Please read the product description to identify the finish.

<b>Luminaire</b>		<b>Measur.</b>		<b>Lamp</b>	
Code	00-1640-81-F9	Code	00-1640-81-F9	Code	TC-DSE 23W
Name	NIMES	Name	NIMES	Number	1
Line	Eulumdat	Date	17-11-2008	Position	
Efficiency	72.06%	Coordinate system	CG	Total Flux	1500.00 lm
Maximum value	101.77 cd	Position	C=90.00 G=75.00	Double Symmetrical	
Round Luminaire	Diam.	400 mm	Height	400 mm	
Round Luminous Area	Diam.	350 mm	Height	400 mm	
Horizontal Luminous Area	0.096211 m2	Emitting area on Plane 180°	0.140000 m2		
Emitting area on Plane 0°	0.140000 m2	Emitting area on Plane 270°	0.140000 m2		
Emitting area on Plane 90°	0.140000 m2	Glare area at 76°	0.159117 m2		
Symmetry Type	Double Symmetrical	Maximum Gamma Angle	180		
Measurement Distance	0.00	Measurement Flux	1500.00 lm		
Operator	OxyTech	Source voltage			
Temperature	25.00 °C	Source current			
Humidity	60.00 %	Photocell			
Notes					

Luminaire Lamps					
Line	Code	Name	Flux [lm]	Pow. [W]	Q.ty
Eulumdat	TC-DSE 23W	TC-DSE 23W - 23.00 W	1500.00	23.00	1
C.I.E.	22 47 74 55 72	D DIN 5040	C11		
F UTE	0.40 J + 0.32 T	B NBN	BZ 9 / 0.8 / BZ 8 / 1 / BZ 9 / 2.5 / BZ 8		

Diam=400mm



**C Halfplanes**

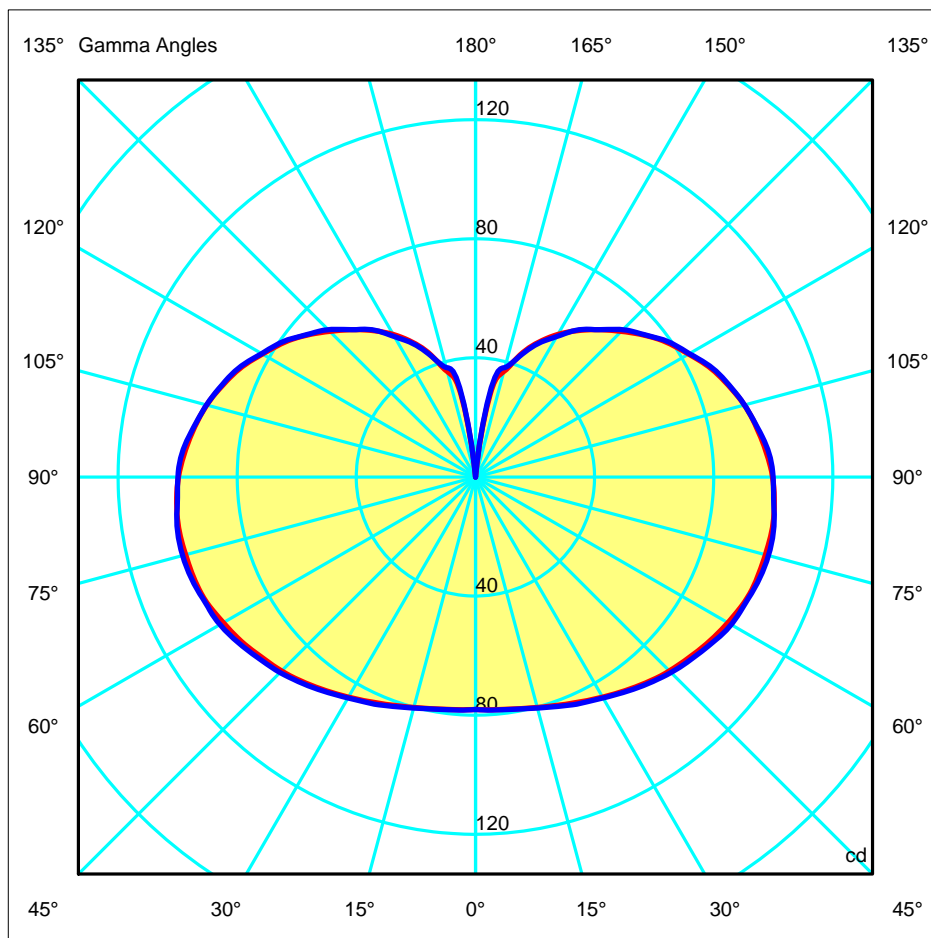
180.0 — 0.0

270.0 — 90.0

ULOR 32.27 %

DLOR 39.79 %

RN 44.78 %

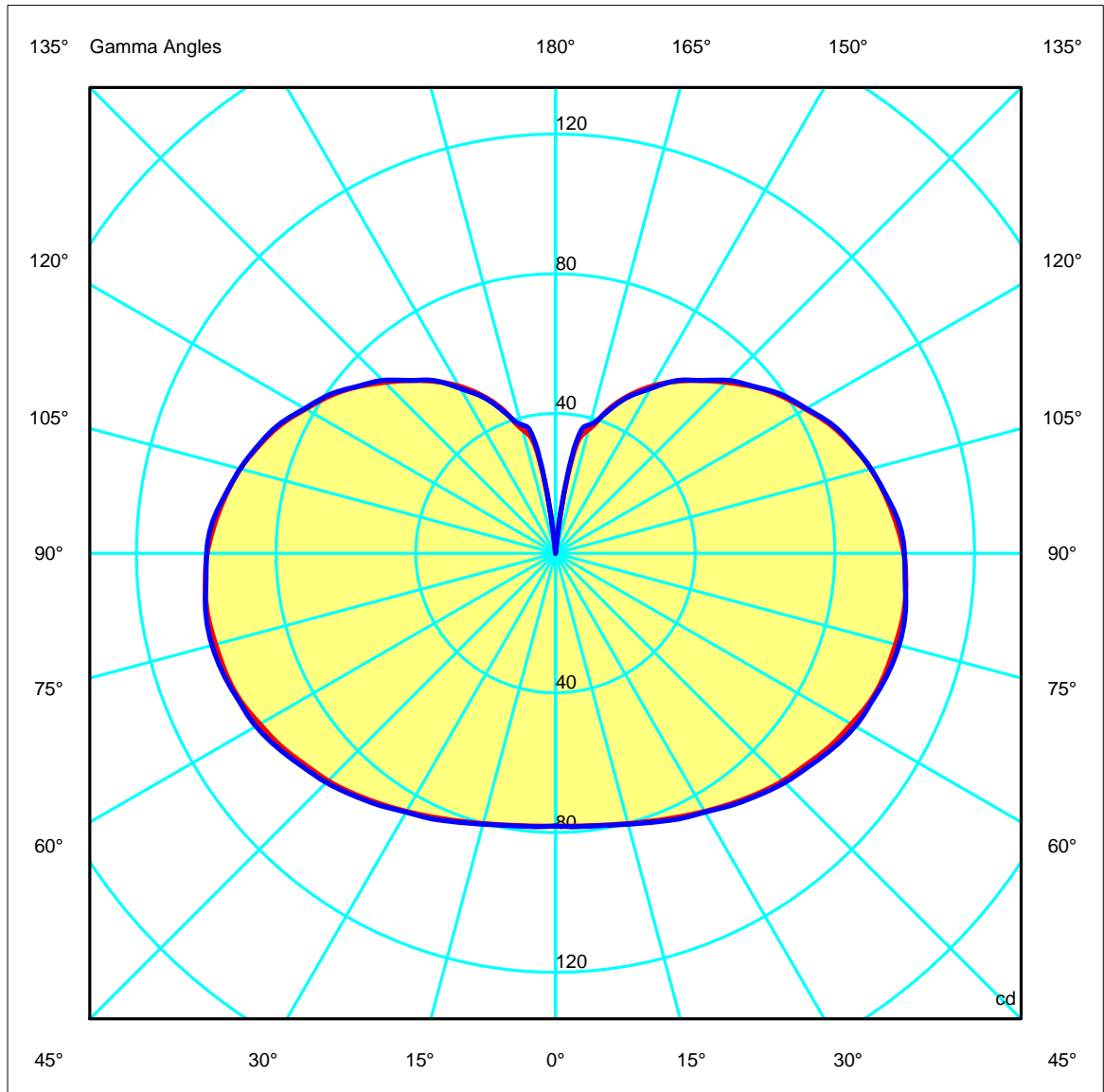
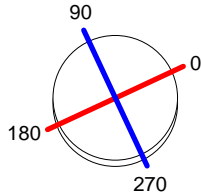


<b>Luminaire</b>		<b>Measur.</b>		<b>Lamp</b>	
Code	00-1640-81-F9	Code	00-1640-81-F9	Code	TC-DSE 23W
Name	NIMES	Name	NIMES	Number	1
Line	Eulumdat	Date	17-11-2008	Position	
Efficiency	72.06%	Coordinate system	CG	Total Flux	1500.00 lm

Diam=400mm

C Halfplanes

180.0 ——— 0.0  
 270.0 ——— 90.0



---

<b>Luminaire</b>		<b>Measurem.</b>		<b>Lamp</b>	
Code	00-1640-81-F9	Code	00-1640-81-F9	Code	TC-DSE 23W
Name	NIMES	Name	NIMES	Number	1
Line	Eulumdat	Date	17-11-2008	Position	

---

Efficiency	72.06%	Coordinate system	CG	Total Flux	1500.00 lm
------------	--------	-------------------	----	------------	------------

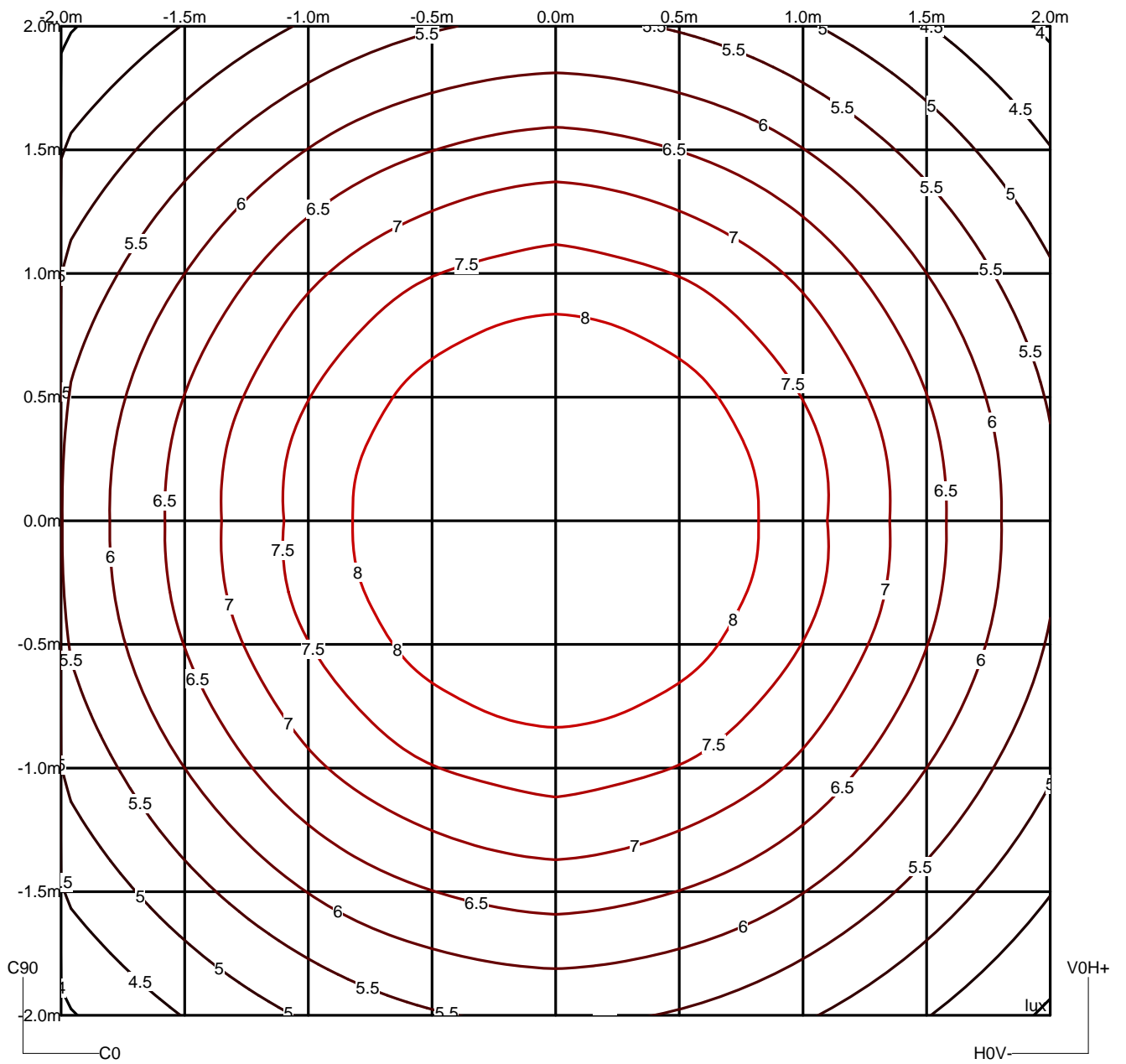
---

Right beam angle not found, gamma = 80

<b>Luminaire</b>		<b>Measur.</b>		<b>Lamp</b>	
Code	00-1640-81-F9	Code	00-1640-81-F9	Code	TC-DSE 23W
Name	NIMES	Name	NIMES	Number	1
Line	Eulumdat	Date	17-11-2008	Position	
Efficiency	72.06%	Coordinate system	CG	Total Flux	1500.00 lm

Isolux (Floor)

Luminaire position X=0.00m Y=0.00m Z=3.00m



**Luminaire**  
 Code 00-1640-81-F9  
 Name NIMES  
 Line Eulumdat

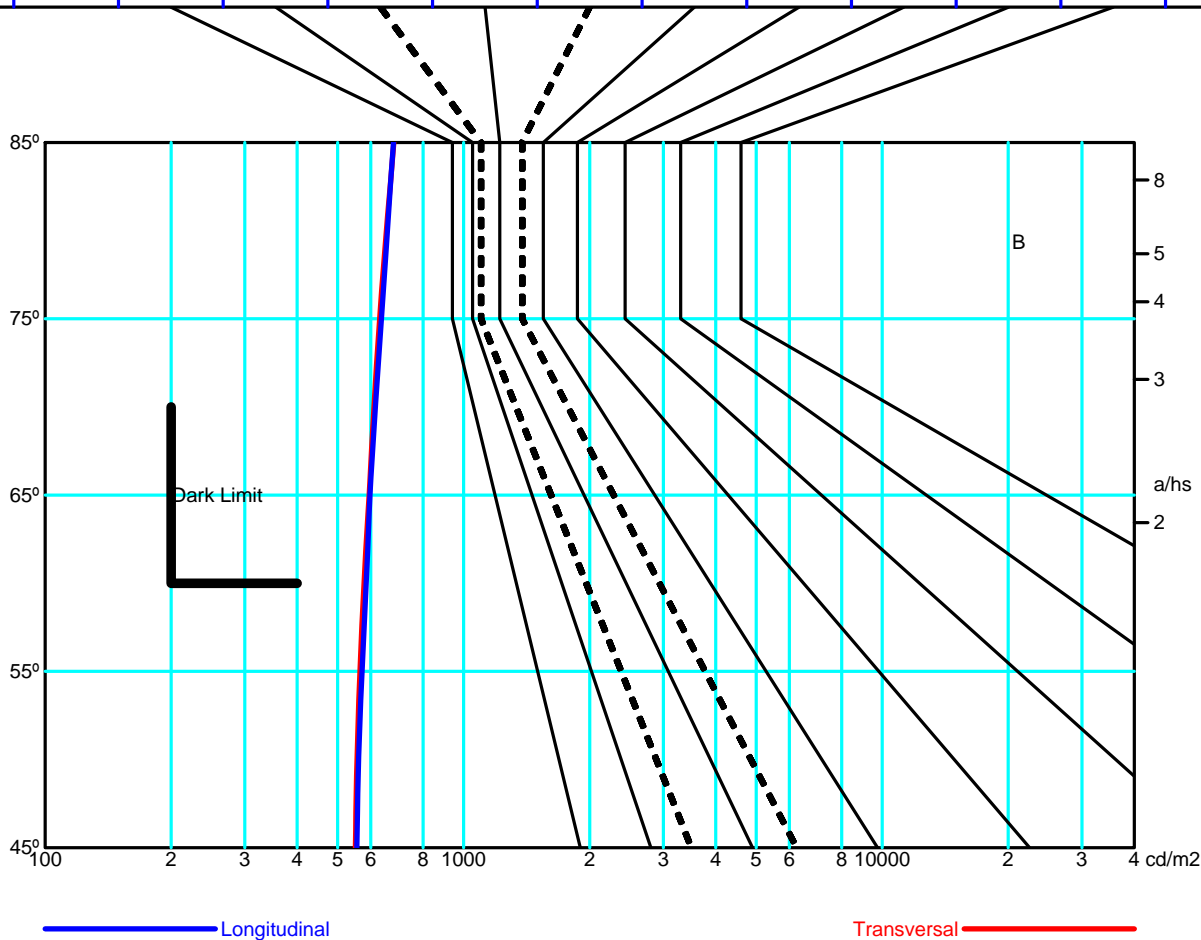
**Measur.**  
 Code 00-1640-81-F9  
 Name NIMES  
 Date 17-11-2008

**Lamp**  
 Code TC-DSE 23W  
 Number 1  
 Position

Efficiency 72.06%      Coordinate system CG      Total Flux 1500.00 lm

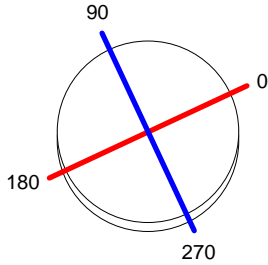
Average Luminance [cd/m <sup>2</sup> ]										
0.0°	45°	50°	55°	60°	65°	70°	75°	80°	85°	
0.0°	551	556	566	577	595	611	629	654	681	---
90.0°	556	561	571	585	597	616	636	658	680	---

Flush mounted or transversal view												
		Illumination(lx)										
A	A	2000	1000	750	500		<300					1.15
B	1		2000	1500	1000	750	500	<300				1.5
C					2000		1000	500	<300			1.85
D	2						2000	1000	500	<300		2.2
E	3							2000	1000	500	<300	2.55



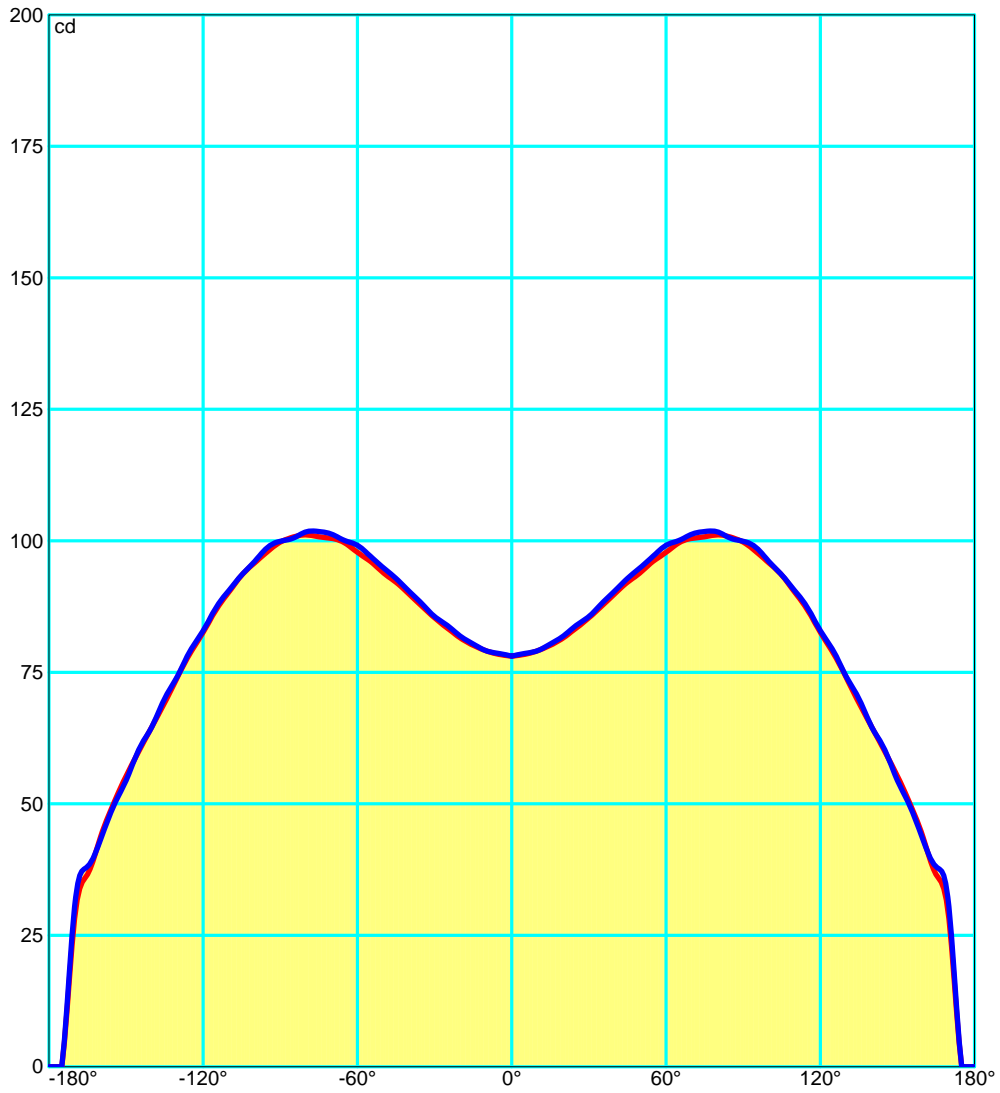
<b>Luminaire</b>		<b>Measur.</b>		<b>Lamp</b>	
Code	00-1640-81-F9	Code	00-1640-81-F9	Code	TC-DSE 23W
Name	NIMES	Name	NIMES	Number	1
Line	Eulumdat	Date	17-11-2008	Position	
Efficiency	72.06%	Coordinate system	CG	Total Flux	1500.00 lm

Diam=400mm



C Halfplanes

180.0 ———— 0.0  
 270.0 ———— 90.0



<b>Luminaire</b>	<b>Measur.</b>	<b>Lamp</b>
Code 00-1640-81-F9	Code 00-1640-81-F9	Code TC-DSE 23W
Name NIMES	Name NIMES	Number 1
Line Eulumdat	Date 17-11-2008	Position
Efficiency 72.06%	Coordinate system CG	Total Flux 1500.00 lm

**UGR**  
S = 0.250

Reflectancies										
Ceiling/Cavity	0.7	0.7	0.5	0.5	0.3	0.7	0.7	0.5	0.5	0.3
Walls	0.5	0.3	0.5	0.3	0.3	0.5	0.3	0.5	0.3	0.3
WorkingPlane	0.2	0.2	0.2	0.2	0.2	0.2	0.2	0.2	0.2	0.2
RoomDimensions	ViewedCrosswise					ViewedEndwise				
x=2H y=2H	7.4	8.4	8.2	9.2	10.3	7.4	8.4	8.2	9.2	10.3
x=2H y=3H	10.0	11.0	10.9	11.8	13.0	10.1	11.0	10.9	11.9	13.0
x=2H y=4H	11.4	12.3	12.3	13.2	14.4	11.5	12.3	12.3	13.2	14.4
x=2H y=6H	12.8	13.6	13.7	14.5	15.7	12.8	13.6	13.7	14.6	15.7
x=2H y=8H	13.5	14.2	14.4	15.2	16.4	13.5	14.3	14.4	15.2	16.4
x=2H y=12H	14.1	14.9	15.0	15.8	17.0	14.2	14.9	15.1	15.8	17.0
x=4H y=2H	8.3	9.2	9.2	10.1	11.3	8.4	9.2	9.2	10.1	11.3
x=4H y=3H	11.2	11.9	12.1	12.8	14.0	11.2	11.9	12.1	12.9	14.0
x=4H y=4H	12.6	13.3	13.6	14.3	15.5	12.7	13.3	13.6	14.3	15.5
x=4H y=6H	14.2	14.8	15.1	15.7	17.0	14.2	14.8	15.1	15.8	17.0
x=4H y=8H	14.9	15.5	15.9	16.5	17.7	14.9	15.5	15.9	16.5	17.7
x=4H y=12H	15.7	16.2	16.6	17.2	18.4	15.7	16.2	16.6	17.2	18.4
x=8H y=4H	13.3	13.8	14.2	14.8	16.0	13.3	13.8	14.2	14.8	16.0
x=8H y=6H	15.0	15.5	16.0	16.5	17.8	15.0	15.5	16.0	16.5	17.8
x=8H y=8H	15.9	16.3	16.9	17.3	18.6	15.9	16.4	16.9	17.4	18.6
x=8H y=12H	16.8	17.2	17.8	18.2	19.5	16.8	17.2	17.8	18.2	19.5
x=12H y=4H	13.4	13.9	14.3	14.9	16.1	13.4	13.9	14.4	14.9	16.1
x=12H y=6H	15.2	15.7	16.2	16.6	17.9	15.2	15.7	16.2	16.7	17.9
x=12H y=8H	16.2	16.6	17.2	17.6	18.9	16.2	16.6	17.2	17.6	18.9



<b>Luminaire</b>	<b>Measur.</b>	<b>Lamp</b>
Code 00-1640-81-F9	Code 00-1640-81-F9	Code TC-DSE 23W
Name NIMES	Name NIMES	Number 1
Line Eulumdat	Date 17-11-2008	Position

Efficiency	72.06%	Coordinate system	CG	Total Flux	1500.00 lm
------------	--------	-------------------	----	------------	------------

Total Flux=1500.00 Luminaire Flux=1080.83

RI	0.60	0.80	1.00	1.25	1.50	2.00	2.50	3.00	4.00	5.00	10.00	20.00
DRR	0.14	0.20	0.25	0.31	0.36	0.44	0.50	0.55	0.62	0.67	0.79	0.87
RC	9	9	9	9	9	9	9	9	9	9	9	9

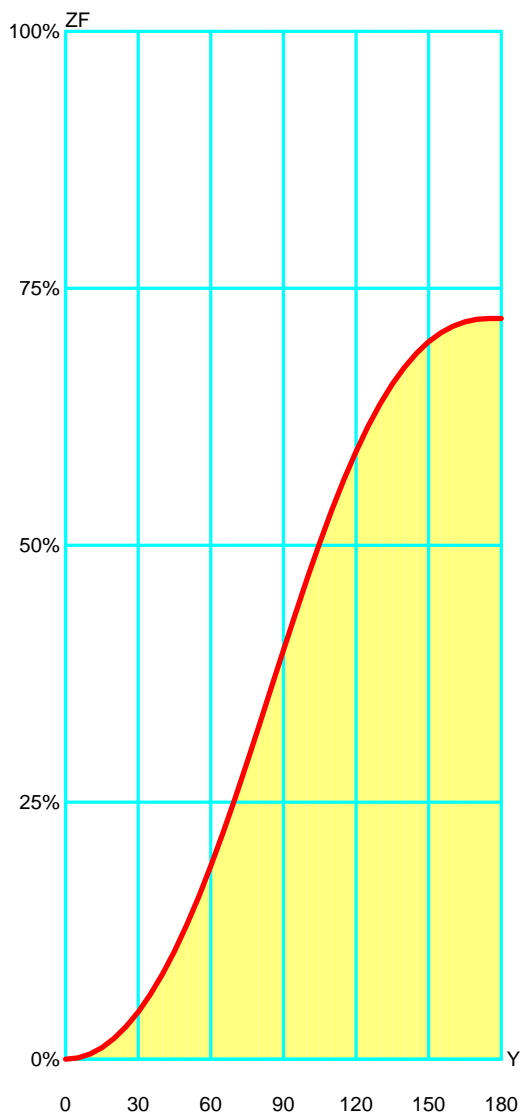
Zonal Flux per 1000 Lumen

Y°	10	20	30	40	50	60	70	80	90	100	110	120	130	140	150	160	170	180
ZF(Y)	5	20	46	83	130	188	254	325	398	469	534	591	638	673	698	713	720	721

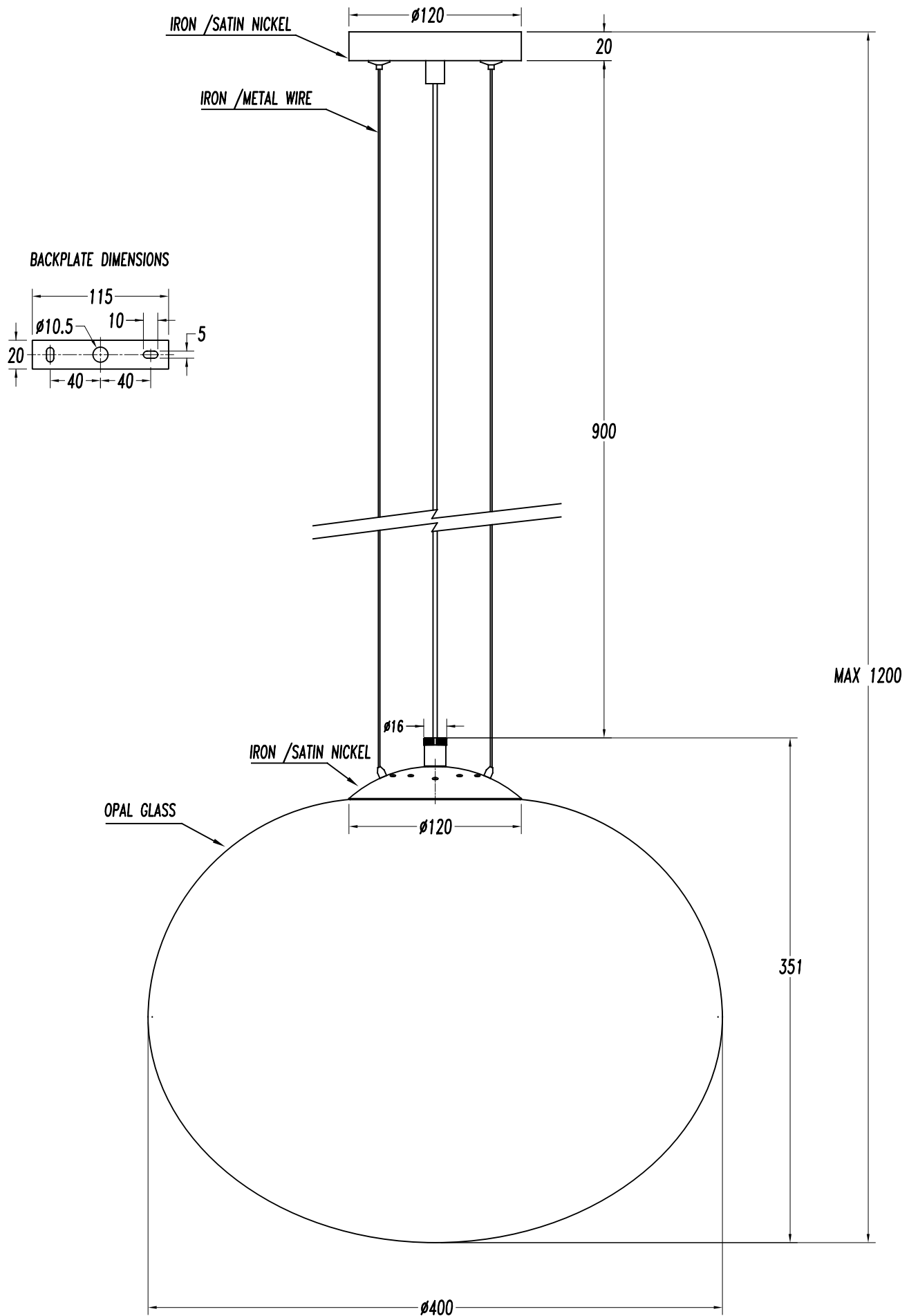
CIE Flux Codes

22 47 74 55 72

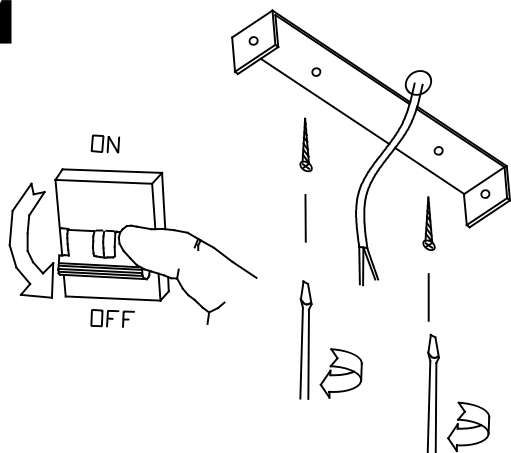
C.I.E.	9	LOR	72.05544 %
D DIN 5040	C11	ULOR	32.26685 %
F UTE	0.40 J + 0.32 T	DLOR	39.78859 %
B NBN	BZ 9 / 0.8 / BZ 8 / 1 / BZ 9 / 2.5 / BZ 8	UFF	44.78059 %
RN	44.78059 %	DFF	55.21941 %
BLF	1.0	FFR	81.09573 %



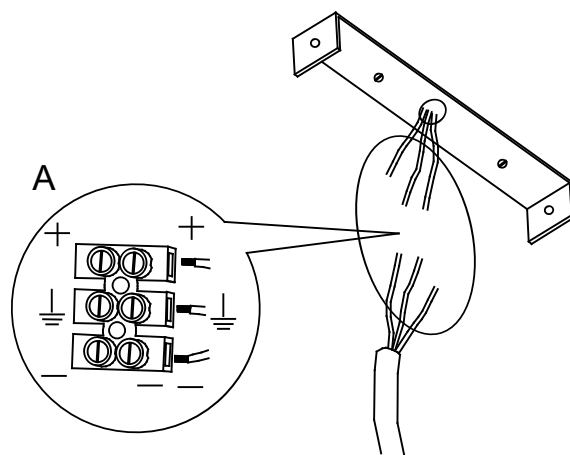
Zonal Flux				
Gamma °	Flux	Sum lm	Flux [%]	Sum [%]
0°	0.00	0.00	0.00%	0.00%
5°	1.25	1.25	0.17%	0.17%
10°	3.75	5.00	0.52%	0.69%
15°	6.30	11.30	0.87%	1.57%
20°	8.89	20.19	1.23%	2.80%
25°	11.55	31.74	1.60%	4.41%
30°	14.25	46.00	1.98%	6.38%
35°	17.00	63.00	2.36%	8.74%
40°	19.76	82.76	2.74%	11.49%
45°	22.49	105.25	3.12%	14.61%
50°	25.13	130.38	3.49%	18.09%
55°	27.64	158.03	3.84%	21.93%
60°	29.97	188.00	4.16%	26.09%
65°	32.02	220.02	4.44%	30.53%
70°	33.78	253.80	4.69%	35.22%
75°	35.12	288.92	4.87%	40.10%
80°	36.04	324.95	5.00%	45.10%
85°	36.48	361.43	5.06%	50.16%
90°	36.45	397.89	5.06%	55.22%
95°	35.97	433.86	4.99%	60.21%
100°	35.01	468.86	4.86%	65.07%
105°	33.62	502.48	4.67%	69.74%
110°	31.81	534.30	4.41%	74.15%
115°	29.68	563.97	4.12%	78.27%
120°	27.24	591.21	3.78%	82.05%
125°	24.62	615.83	3.42%	85.47%
130°	21.87	637.70	3.03%	88.50%
135°	19.09	656.79	2.65%	91.15%
140°	16.35	673.14	2.27%	93.42%
145°	13.70	686.84	1.90%	95.32%
150°	11.15	697.98	1.55%	96.87%
155°	8.69	706.68	1.21%	98.07%
160°	6.37	713.05	0.88%	98.96%
165°	4.29	717.34	0.60%	99.55%
170°	2.54	719.88	0.35%	99.91%
175°	0.68	720.55	0.09%	100.00%
180°	0.00	720.55	0.00%	100.00%



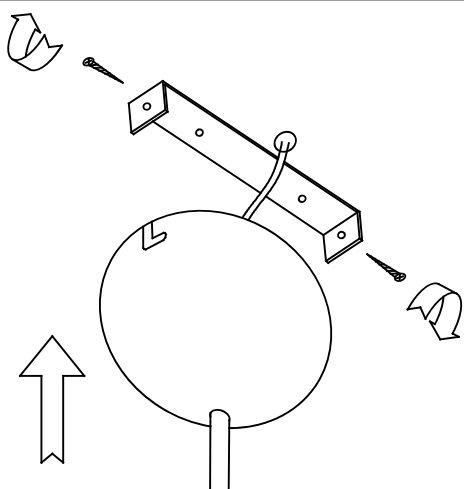
**1**



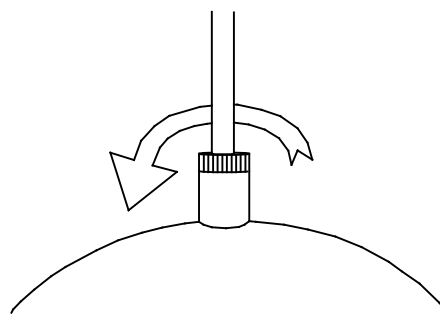
**2**



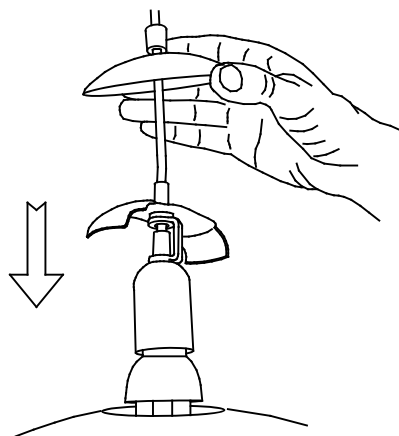
**3**



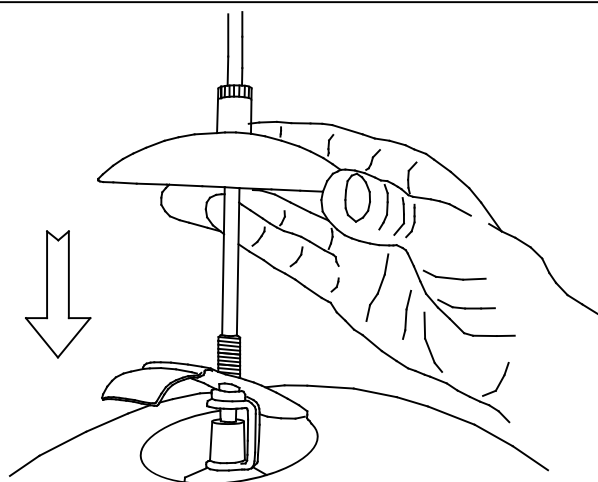
**4**



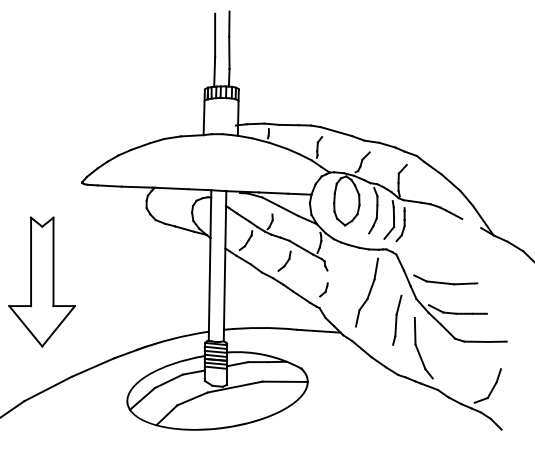
**5**



**6**



**7**



**8**

