

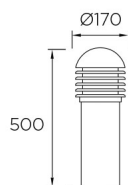
Balizas Grid 500mm Bollard

Designer: LEDS C4

**Description**

Bollard IP44 Balizas Grid 500mm E27 100W Urban grey

	Finish	Material
Structure	Urban grey	Aluminium
Diffuser	Matt	Polycarbonate

**TECHNICAL CHARACTERISTICS****Light source**

Lampholder: 1 x E27
 Light source power (W): MAX 100W
 Luminaire total power (W): 100W
 Lamp maximum dimension: 170/70 mm
 Quantity: 1
 Recommended lamp: E27

GEAR

Voltage / Frequency:
 100-240V/50-60Hz

Luminaire

Double cable exit: No
 Drainage: No
 Seaside: No
 Uv Protection: Yes
 Warranty: 5 Years

Logistics

Energy Efficiency: NO BULB
 EAN Code: 8435111075913
 Net Weight (Kg): 1.92
 Weight in Kg (packaged): 2.58
 Packing: 180 x 180 x 520
 Masterbox: 4

The photograph may not match the reference exactly. Please read the product description to identify the finish.

OPTIONAL ACCESSORIES



71-9955-48-48

Floor mounting bolts

Structure material: Steel, Stainless steel AISI304

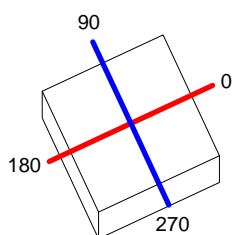
Dimensions: NA x NA x NA

Net Weight (Kg): 0.27

Luminaire		Measur.		Lamp	
Code	55-9319-34-Z5	Code	LEDS021	Code	TC-DSE 23W
Name	BALIZAS	Name	BALIZAS	Number	1
Line	Eulumdat	Date	29-04-1994	Position	
Efficiency	15.00%	Coordinate system	CG	Total Flux	1500.00 lm
Maximum value	54.60 cd	Position	C=40.00 G=75.00	Asymmetrical	
Rectangular Luminaire	Length	170 mm	Width	170 mm	Height
Rectangular Luminous Area	Length	125 mm	Width	125 mm	Height
Horizontal Luminous Area	0.015625 m2	Emitting area on Plane 180°		0.000000 m2	
Emitting area on Plane 0°	0.000000 m2	Emitting area on Plane 270°		0.000000 m2	
Emitting area on Plane 90°	0.000000 m2	Glare area at 76°		0.003780 m2	
Symmetry Type	Asymmetrical	Maximum Gamma Angle		180	
Measurement Distance	0.00	Measurement Flux		1500.00 lm	
Operator		Source voltage			
Temperature	25.00 °C	Source current			
Humidity	60.00 %	Photocell			
Notes					

Luminaire Lamps						
Line	Code	Name	Flux [lm]	Pow. [W]	Q.ty	
Eulumdat	TC-DSE 23W	TC-DSE 23W - 20.00 W	1500.00	20.00	1	
C.I.E.	0 3 46 65 15	D DIN 5040				
F UTE	--	B NBN				B11 BZ 10

170mm x 170mm



C Halfplanes

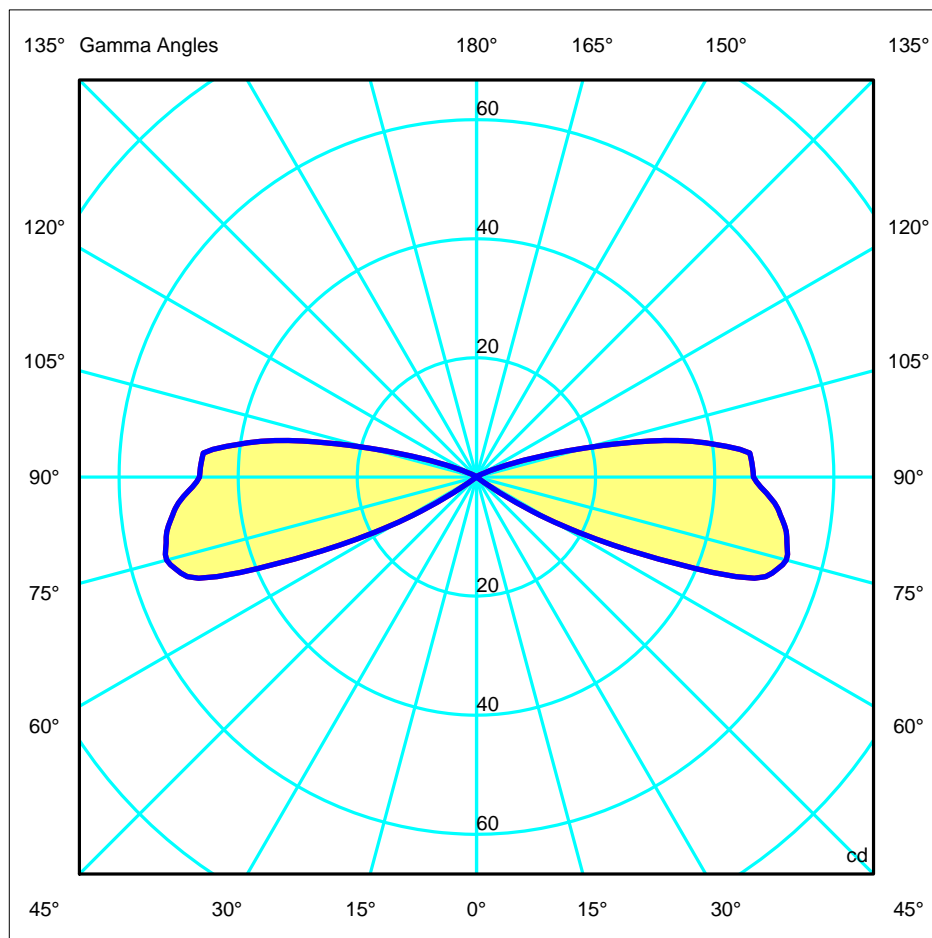
180.0 — 0.0

270.0 — 90.0

ULOR 5.19 %

DLOR 9.81 %

RN 34.61 %

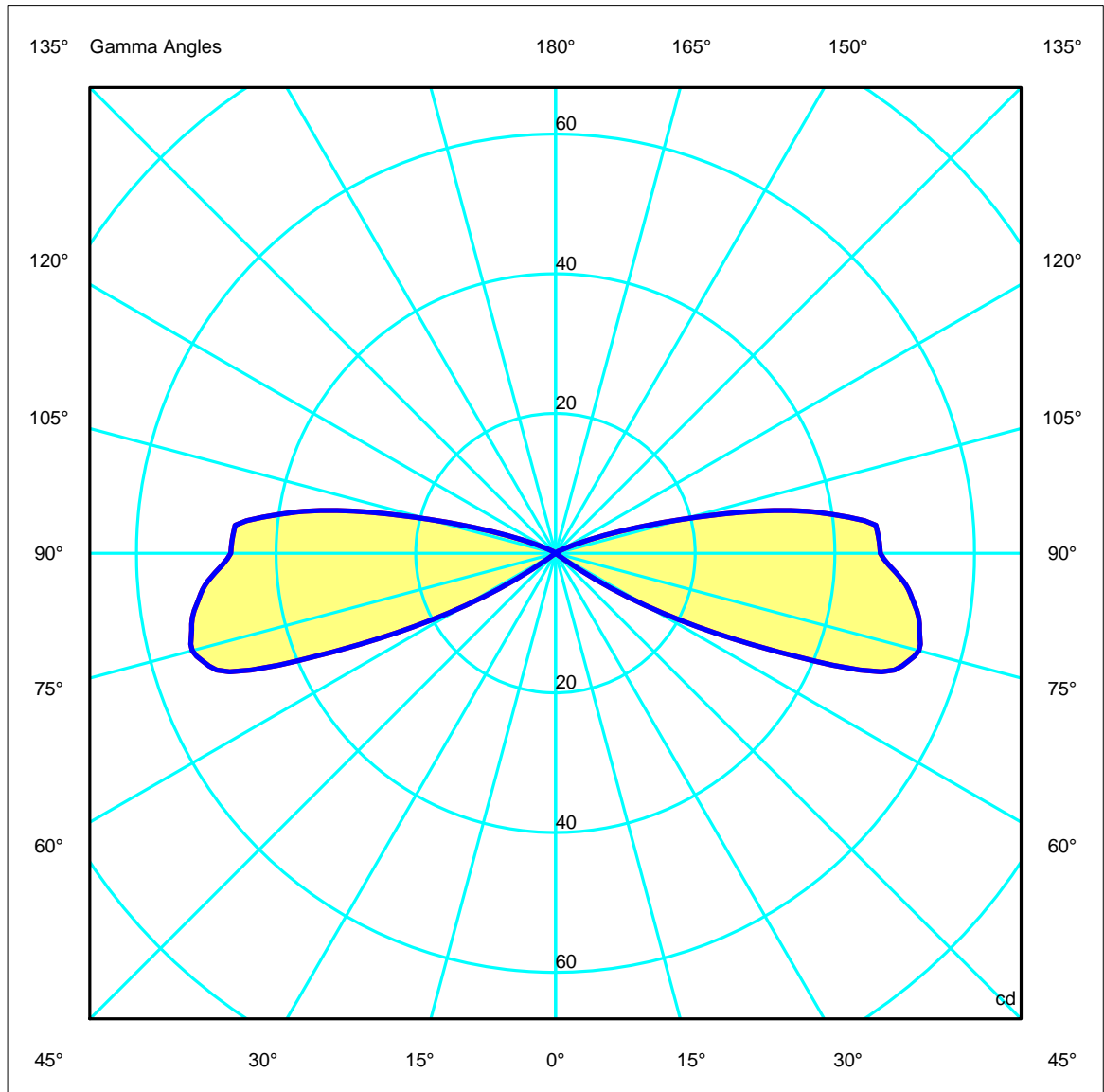
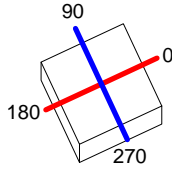


Luminaire		Measur.		Lamp	
Code	55-9319-34-Z5	Code	LEDS021	Code	TC-DSE 23W
Name	BALIZAS	Name	BALIZAS	Number	1
Line	Eulumdat	Date	29-04-1994	Position	
Efficiency	15.00%	Coordinate system	CG	Total Flux	1500.00 lm

170mm x 170mm

C Halfplanes

180.0 ——— 0.0
 270.0 ——— 90.0



Luminaire		Measur.		Lamp	
Code	55-9319-34-Z5	Code	LEDS021	Code	TC-DSE 23W
Name	BALIZAS	Name	BALIZAS	Number	1
Line	Eulmdat	Date	29-04-1994	Position	

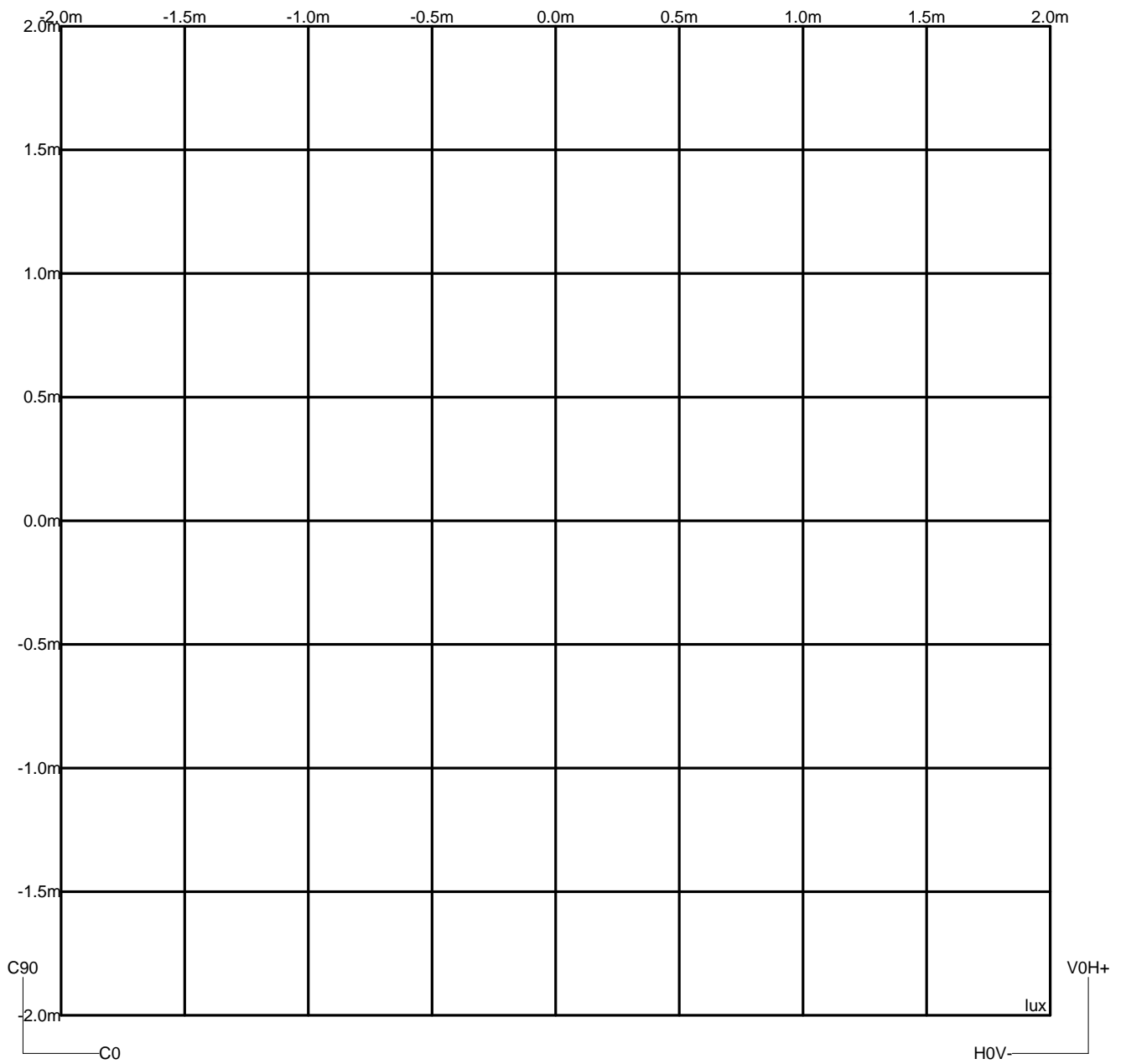
Efficiency	15.00%	Coordinate system	CG	Total Flux	1500.00 lm
------------	--------	-------------------	----	------------	------------

Left beam angle not found, gamma = -75

Luminaire		Measur.		Lamp	
Code	55-9319-34-Z5	Code	LEDS021	Code	TC-DSE 23W
Name	BALIZAS	Name	BALIZAS	Number	1
Line	Eulumdat	Date	29-04-1994	Position	
Efficiency	15.00%	Coordinate system	CG	Total Flux	1500.00 lm

Isolux (Floor)

Luminaire position X=0.00m Y=0.00m Z=3.00m



Luminaire
 Code 55-9319-34-Z5
 Name BALIZAS
 Line Eulumdat

Measur.
 Code LE DS021
 Name BALIZAS
 Date 29-04-1994

Lamp
 Code TC-DSE 23W
 Number 1
 Position

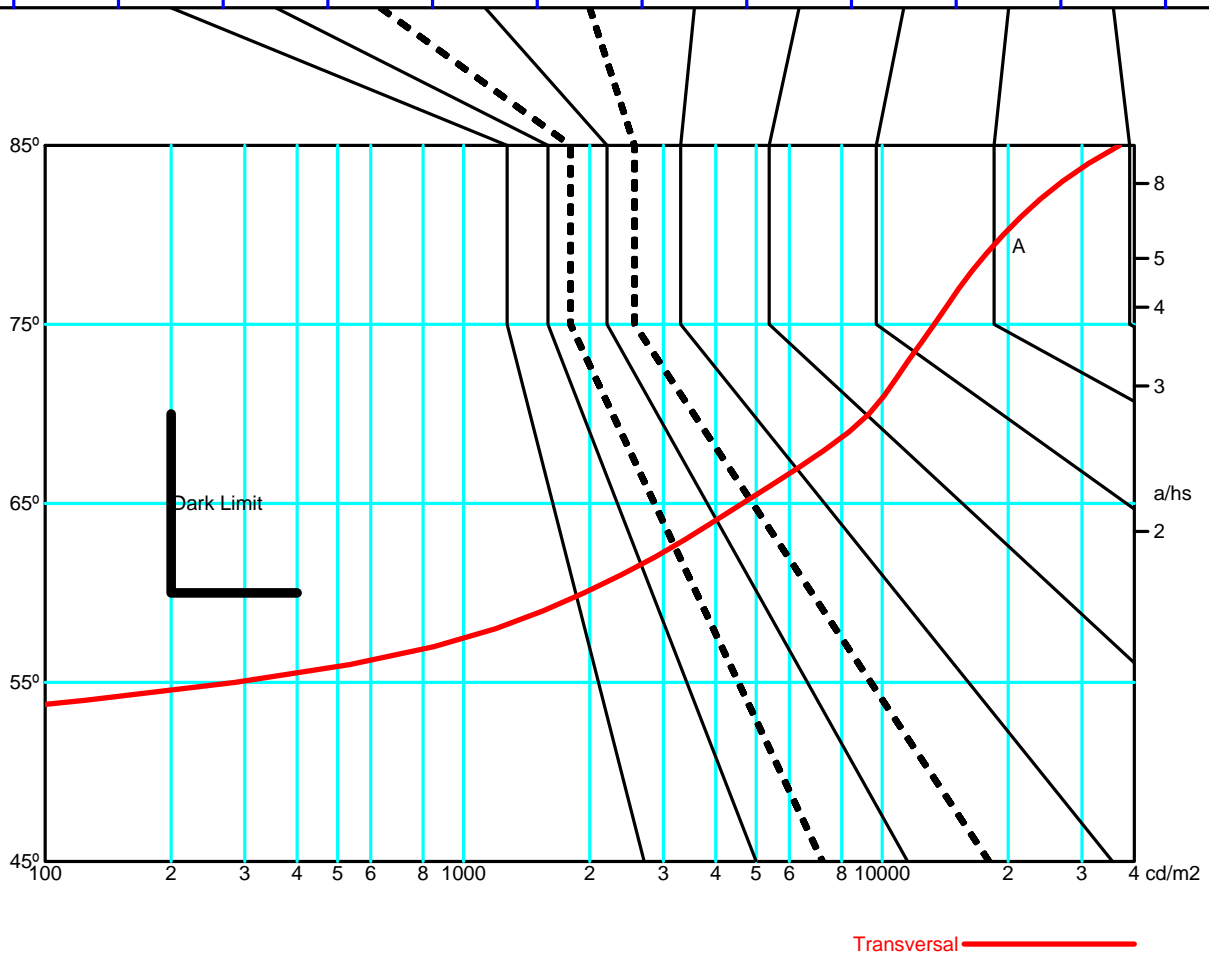
Efficiency 15.00%

Coordinate system CG

Total Flux 1500.00 lm

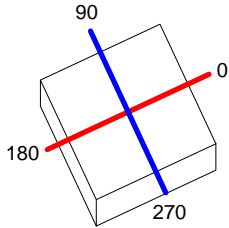
Average Luminance [cd/m ²]										
0.0°	45°	50°	55°	60°	65°	70°	75°	80°	85°	---
	0	0	285	1939	4634	9291	13316	19460	36899	

Flush mounted or longitudinal view												
		Illumination(lx)										
A	A	2000	1000	750	500		<300					1.15
B	1		2000	1500	1000	750	500	<300				1.5
C					2000		1000	500	<300			1.85
D	2						2000	1000	500	<300		2.2
E	3							2000	1000	500	<300	2.55

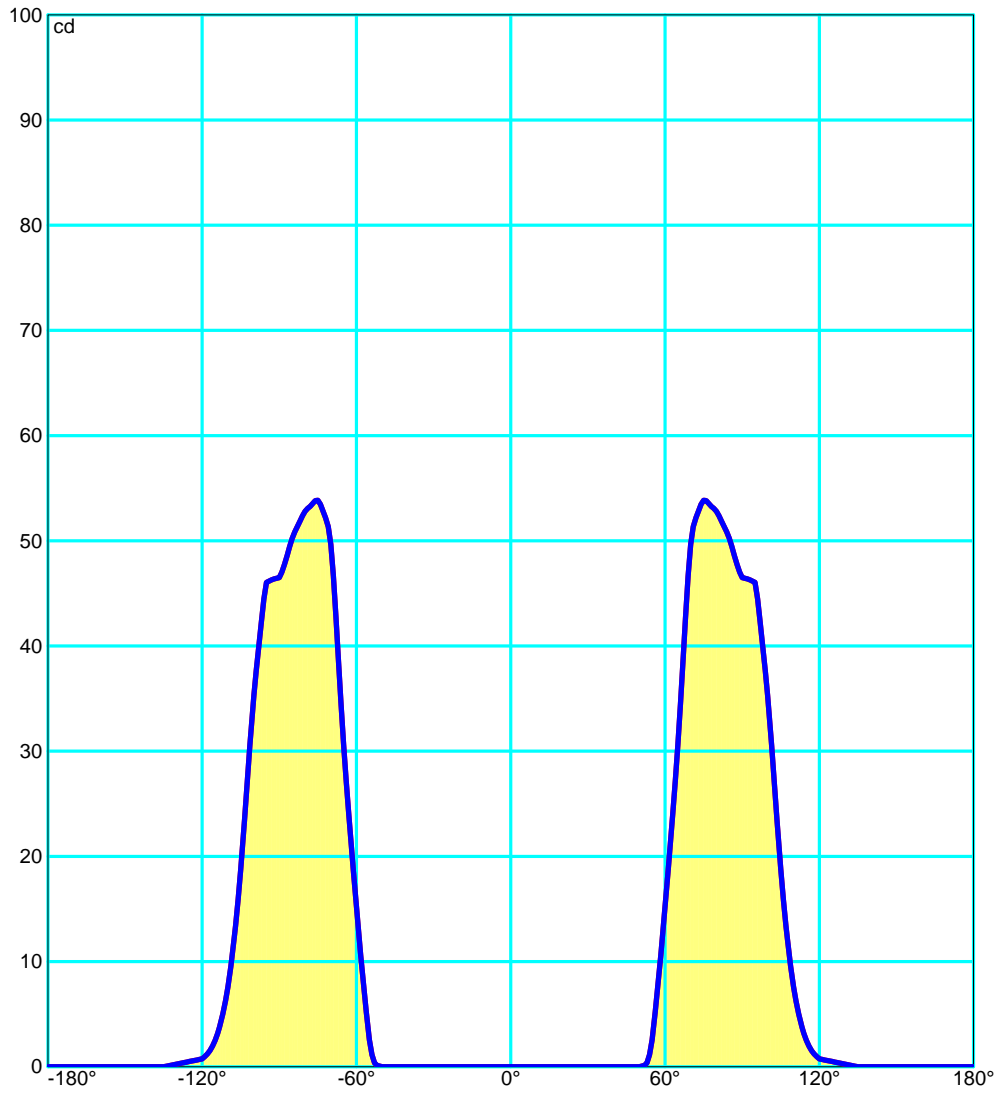


Luminaire		Measur.		Lamp	
Code	55-9319-34-Z5	Code	LEDS021	Code	TC-DSE 23W
Name	BALIZAS	Name	BALIZAS	Number	1
Line	Eulumdat	Date	29-04-1994	Position	
Efficiency	15.00%	Coordinate system	CG	Total Flux	1500.00 lm

170mm x 170mm



C Halfplanes



Luminaire		Measur.		Lamp	
Code	55-9319-34-Z5	Code	LEDS021	Code	TC-DSE 23W
Name	BALIZAS	Name	BALIZAS	Number	1
Line	Eulumdat	Date	29-04-1994	Position	
Efficiency	15.00%	Coordinate system	CG	Total Flux	1500.00 lm

UGR
S = 0.250

Reflectancies										
Ceiling/Cavity	0.7	0.7	0.5	0.5	0.3	0.7	0.7	0.5	0.5	0.3
Walls	0.5	0.3	0.5	0.3	0.3	0.5	0.3	0.5	0.3	0.3
WorkingPlane	0.2	0.2	0.2	0.2	0.2	0.2	0.2	0.2	0.2	0.2
RoomDimensions	ViewedCrosswise					ViewedEndwise				
x=2H y=2H	10.9	12.3	11.6	13.1	14.1	10.9	12.3	11.6	13.1	14.1
x=2H y=3H	20.1	21.4	20.9	22.2	23.3	20.1	21.3	20.9	22.2	23.3
x=2H y=4H	23.2	24.5	24.1	25.3	26.3	23.2	24.5	24.1	25.3	26.3
x=2H y=6H	25.9	27.1	26.7	28.0	29.0	25.9	27.1	26.7	28.0	29.0
x=2H y=8H	27.2	28.3	28.0	29.2	30.3	27.2	28.3	28.0	29.2	30.3
x=2H y=12H	28.6	29.8	29.5	30.6	31.7	28.6	29.8	29.5	30.6	31.7
x=4H y=2H	14.6	15.9	15.5	16.7	17.7	14.6	15.9	15.5	16.7	17.7
x=4H y=3H	21.9	23.1	22.8	23.9	25.0	21.9	23.1	22.8	23.9	25.0
x=4H y=4H	24.9	26.0	25.8	26.9	28.0	24.9	26.0	25.8	26.8	28.0
x=4H y=6H	27.6	28.6	28.4	29.4	30.6	27.6	28.6	28.4	29.4	30.6
x=4H y=8H	29.0	29.8	29.8	30.7	31.8	29.0	29.8	29.8	30.7	31.8
x=4H y=12H	30.4	31.2	31.3	32.2	33.2	30.4	31.2	31.3	32.2	33.2
x=8H y=4H	26.0	26.9	26.9	27.8	28.9	26.0	26.9	26.9	27.8	28.9
x=8H y=6H	28.9	29.6	29.7	30.5	31.7	28.9	29.6	29.7	30.5	31.7
x=8H y=8H	30.3	31.0	31.2	32.0	33.1	30.3	31.0	31.2	32.0	33.1
x=8H y=12H	31.9	32.6	32.9	33.5	34.7	31.9	32.6	32.9	33.5	34.7
x=12H y=4H	26.3	27.2	27.2	28.1	29.2	26.3	27.2	27.2	28.1	29.2
x=12H y=6H	29.3	30.0	30.1	30.9	32.0	29.3	30.0	30.1	30.9	32.0
x=12H y=8H	30.8	31.4	31.7	32.3	33.6	30.8	31.4	31.7	32.3	33.6

Luminaire	Measur.	Lamp
Code 55-9319-34-Z5	Code LEDS021	Code TC-DSE 23W
Name BALIZAS	Name BALIZAS	Number 1
Line Eulumdat	Date 29-04-1994	Position

Efficiency 15.00%	Coordinate system CG	Total Flux 1500.00 lm
-------------------	----------------------	-----------------------

Total Flux=1500.00 Luminaire Flux=224.97

	0.60	0.80	1.00	1.25	1.50	2.00	2.50	3.00	4.00	5.00	10.00	20.00
RI	0.03	0.02	0.03	0.05	0.08	0.15	0.22	0.28	0.37	0.45	0.65	0.79
DRR	-	-	-	-	-	-	-	-	-	-	-	-
RC												

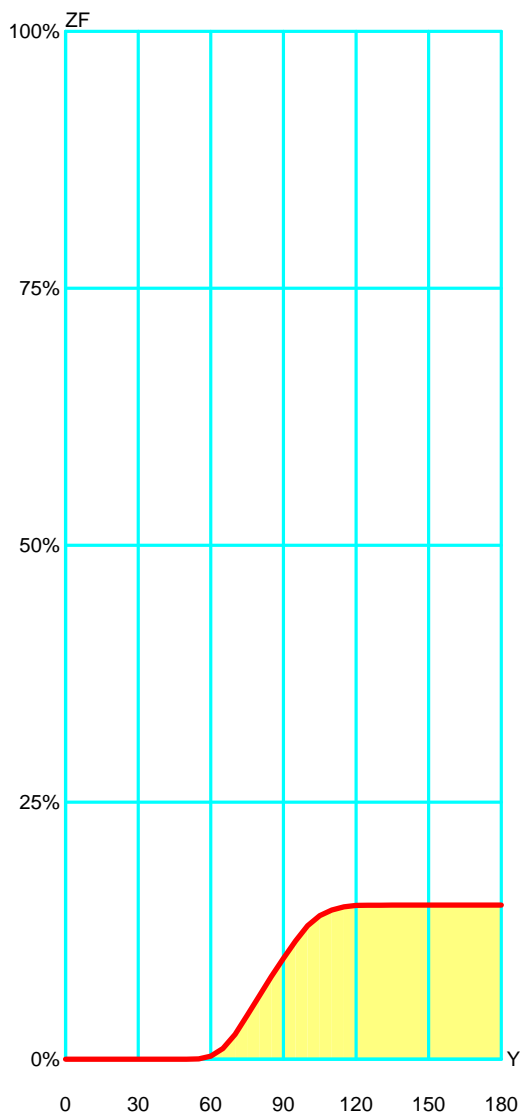
Zonal Flux per 1000 Lumen

	10	20	30	40	50	60	70	80	90	100	110	120	130	140	150	160	170	180
Y°	0	0	0	0	0	3	24	62	98	130	145	150	150	150	150	150	150	150
ZF(Y)																		

CIE Flux Codes

0 3 46 65 15

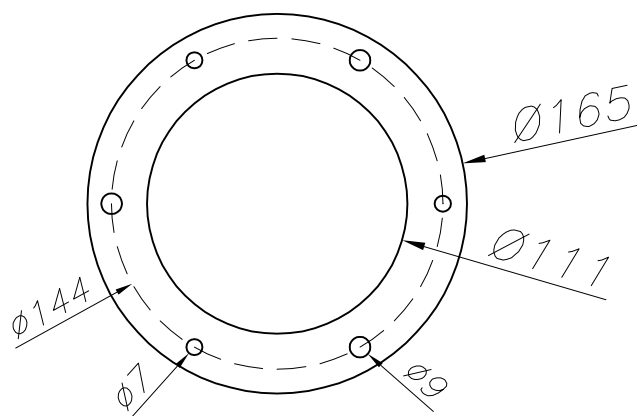
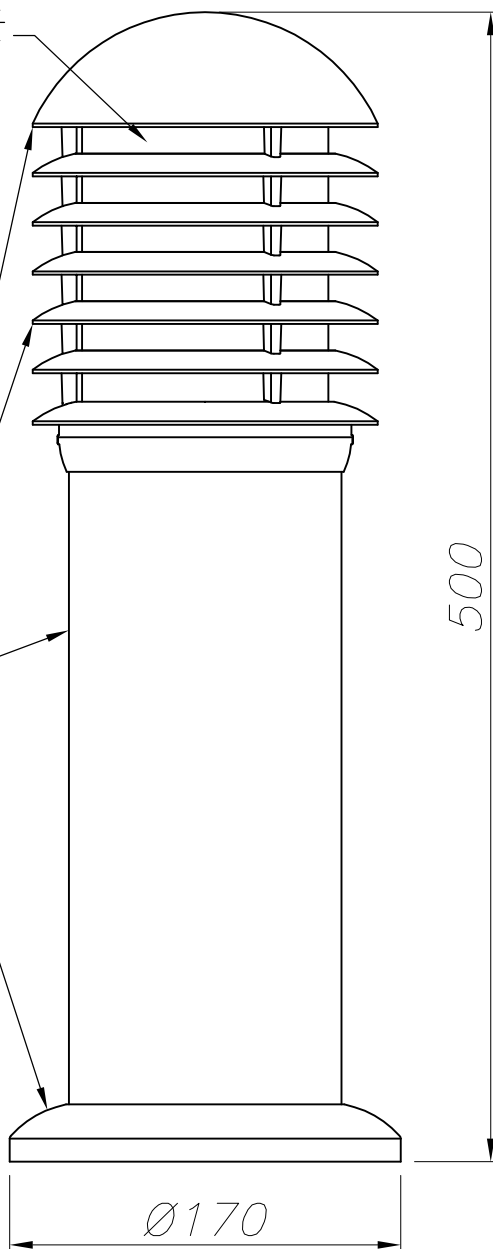
C.I.E.	-/-/-/-/-/-/-/-/-/-	LOR	14.99791 %
D DIN 5040	B11	ULOR	5.19097 %
F UTE	--	DLOR	9.80694 %
B NBN	BZ 10	UFF	34.61130 %
RN	34.61130 %	DFF	65.38870 %
BLF	1.0	FFR	52.93163 %



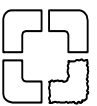
Zonal Flux				
Gamma °	Flux	Sum lm	Flux [%]	Sum [%]
0°	0.00	0.00	0.00 %	0.00 %
5°	0.00	0.00	0.00 %	0.00 %
10°	0.00	0.00	0.00 %	0.00 %
15°	0.00	0.00	0.00 %	0.00 %
20°	0.00	0.00	0.00 %	0.00 %
25°	0.00	0.00	0.00 %	0.00 %
30°	0.00	0.00	0.00 %	0.00 %
35°	0.00	0.00	0.00 %	0.00 %
40°	0.00	0.00	0.00 %	0.00 %
45°	0.00	0.00	0.00 %	0.00 %
50°	0.00	0.00	0.00 %	0.00 %
55°	0.25	0.25	0.17 %	0.17 %
60°	2.72	2.97	1.81 %	1.98 %
65°	7.45	10.42	4.97 %	6.95 %
70°	13.74	24.17	9.16 %	16.11 %
75°	18.29	42.46	12.19 %	28.31 %
80°	19.14	61.59	12.76 %	41.07 %
85°	18.76	80.35	12.51 %	53.58 %
90°	17.72	98.07	11.81 %	65.39 %
95°	16.98	115.05	11.32 %	76.71 %
100°	14.88	129.94	9.92 %	86.64 %
105°	9.72	139.65	6.48 %	93.12 %
110°	5.55	145.20	3.70 %	96.82 %
115°	3.05	148.26	2.04 %	98.85 %
120°	1.40	149.65	0.93 %	99.78 %
125°	0.11	149.76	0.07 %	99.85 %
130°	0.11	149.87	0.07 %	99.93 %
135°	0.11	149.98	0.07 %	100.00 %
140°	0.00	149.98	0.00 %	100.00 %
145°	0.00	149.98	0.00 %	100.00 %
150°	0.00	149.98	0.00 %	100.00 %
155°	0.00	149.98	0.00 %	100.00 %
160°	0.00	149.98	0.00 %	100.00 %
165°	0.00	149.98	0.00 %	100.00 %
170°	0.00	149.98	0.00 %	100.00 %
175°	0.00	149.98	0.00 %	100.00 %
180°	0.00	149.98	0.00 %	100.00 %

POLICARBONATO TRANSPARENTE MATE
TRANSPARENT MATT POLYCARBONATE

ALUMINIO DE ALTA PUREZA
HIGH QUALITY ALUMINUM



PLANTILLA DE INSTALACIÓN
INSTALLATION TEMPLATE



LEDSS-C4

OUTDOOR

55-9318
55-9319
55-9320

