



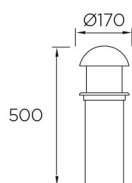
Balizas 500mm Bollard

Designer: LEDS C4

Description

Bollard IP44 Balizas 500mm E27 100W Urban grey

	Finish	Material
Structure	Urban grey	Aluminium
Diffuser	Matt	Polycarbonate

**TECHNICAL CHARACTERISTICS****Light source**

Lampholder: 1 x E27
 Light source power (W): MAX 100W
 Luminaire total power (W): 100W
 Lamp maximum dimension: 170/70 mm
 Quantity: 1
 Recommended lamp: E27

GEAR

Voltage / Frequency:
 100-240V/50-60Hz

Luminaire

Double cable exit: No
 Drainage: No
 Seaside: No
 Uv Protection: Yes
 Warranty: 5 Years

Logistics

Energy Efficiency: NO BULB
 EAN Code: 8435111075999
 Net Weight (Kg): 1.65
 Weight in Kg (packaged): 2.26
 Packing: 180 x 180 x 520
 Masterbox: 4

The photograph may not match the reference exactly. Please read the product description to identify the finish.

OPTIONAL ACCESSORIES



71-9955-48-48

Floor mounting bolts

Structure material: Steel, Stainless steel AISI304

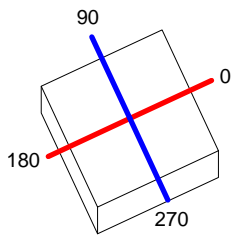
Dimensions: NA x NA x NA

Net Weight (Kg): 0.27

Luminaire		Measur.		Lamp	
Code	55-9335-34-Z5	Code	LEDS020	Code	TC-DSE 23W
Name	BALIZAS	Name	BALIZAS	Number	1
Line	Eulumdat	Date	12-06-2015	Position	
Efficiency	49.00%	Coordinate system	CG	Total Flux	1500.00 lm
Maximum value	97.65 cd	Position	C=40.00 G=105.00	Asymmetrical	
Rectangular Luminaire	Length	170 mm	Width	170 mm	Height
Rectangular Luminous Area	Length	90 mm	Width	90 mm	Height
Horizontal Luminous Area	0.008100 m2	Emitting area on Plane 180°		0.000000 m2	
Emitting area on Plane 0°	0.000000 m2	Emitting area on Plane 270°		0.000000 m2	
Emitting area on Plane 90°	0.000000 m2	Glare area at 76°		0.001960 m2	
Symmetry Type	Asymmetrical	Maximum Gamma Angle		180	
Measurement Distance	0.00	Measurement Flux		1500.00 lm	
Operator		Source voltage			
Temperature	25.00 °C	Source current			
Humidity	60.00 %	Photocell			
Notes					

Luminaire Lamps						
Line	Code	Name	Flux [lm]	Pow. [W]	Q.ty	
Eulumdat	TC-DSE 23W	TC-DSE 23W	1500.00	0.00	1	
C.I.E.	2 24 58 44 49	D DIN 5040				
F UTE	--	B NBN				
		C12				
		BZ 10				

170mm x 170mm



C Halfplanes

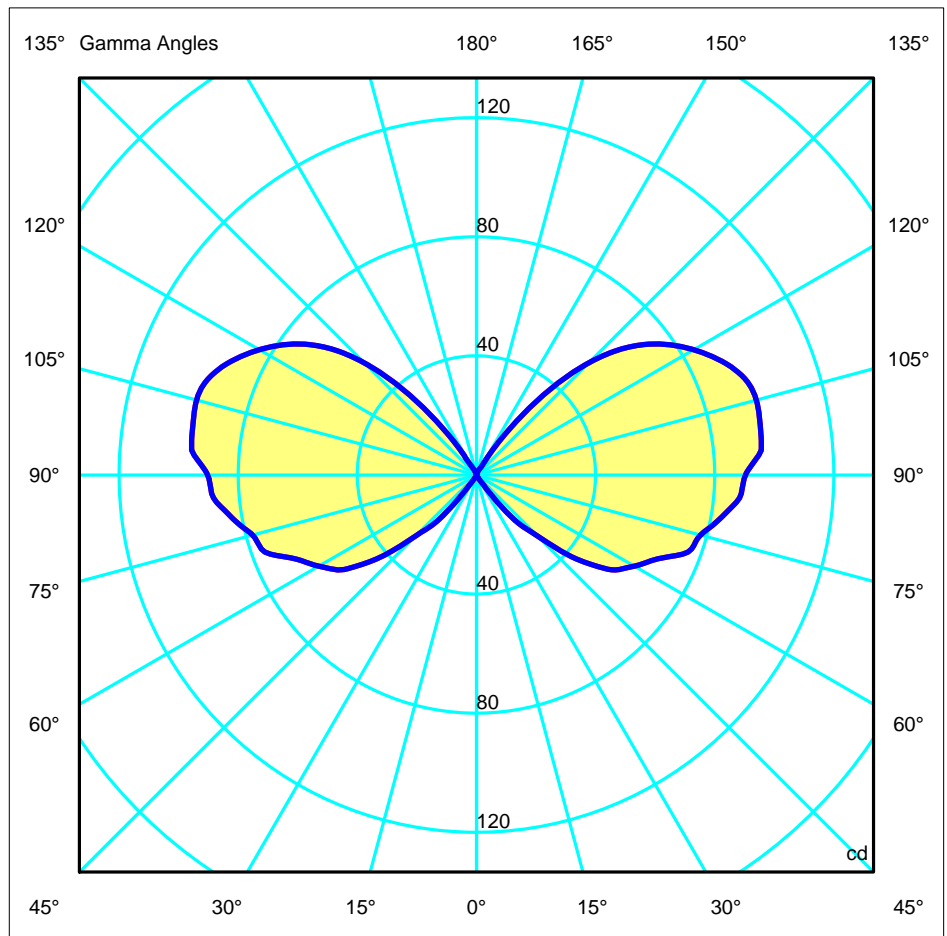
180.0 — 0.0

270.0 — 90.0

ULOR 27.44 %

DLOR 21.56 %

RN 56.00 %

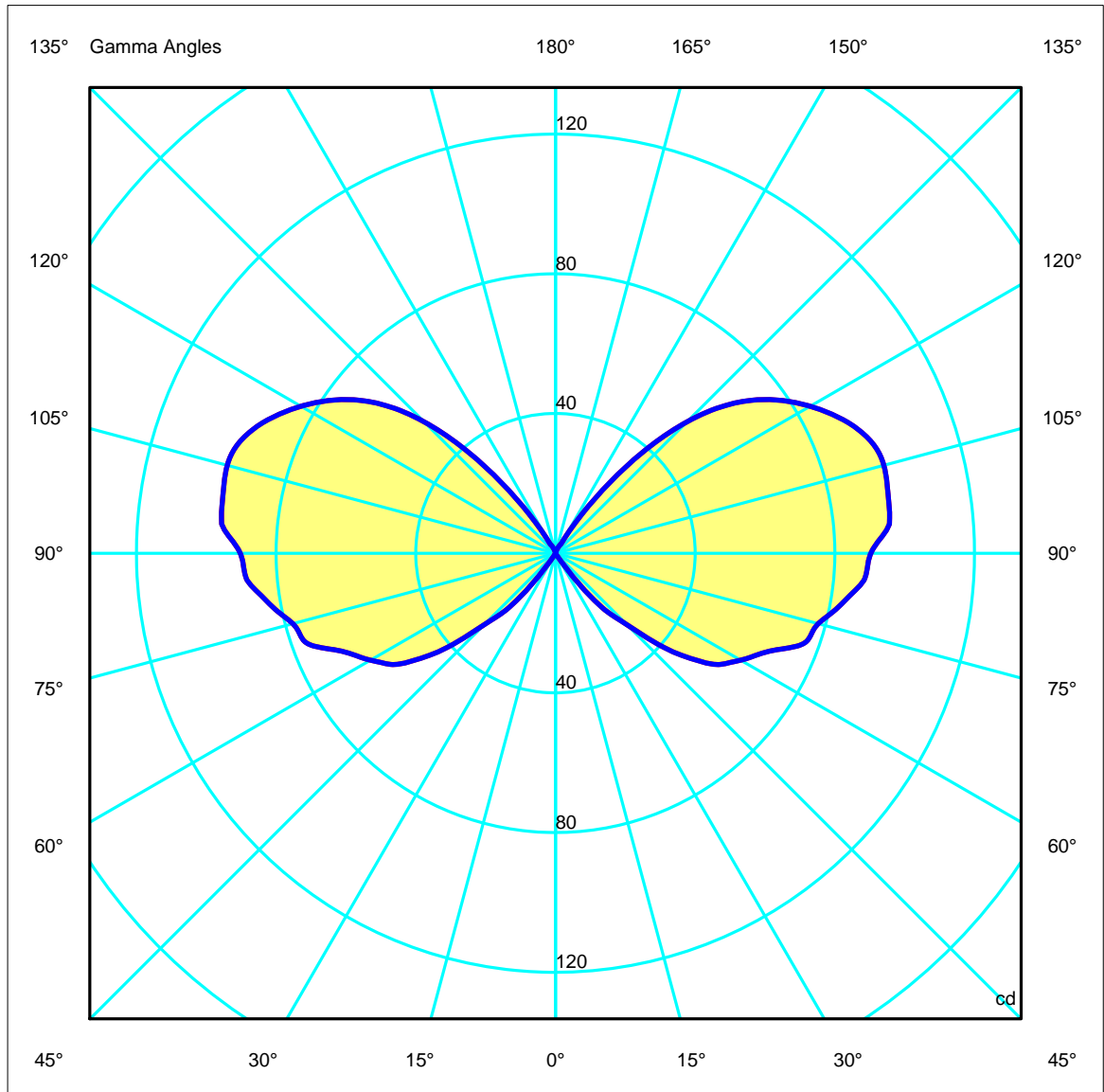
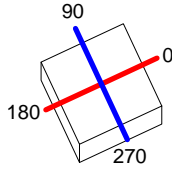


Luminaire		Measur.		Lamp	
Code	55-9335-34-Z5	Code	LEDS020	Code	TC-DSE 23W
Name	BALIZAS	Name	BALIZAS	Number	1
Line	Eulumdat	Date	12-06-2015	Position	
Efficiency	49.00%	Coordinate system	CG	Total Flux	1500.00 lm

170mm x 170mm

C Halfplanes

180.0 ——— 0.0
 270.0 ——— 90.0



Luminaire		Measurem.		Lamp	
Code	55-9335-34-Z5	Code	LEDS020	Code	TC-DSE 23W
Name	BALIZAS	Name	BALIZAS	Number	1
Line	Eulumdat	Date	12-06-2015	Position	

Efficiency	49.00%	Coordinate system	CG	Total Flux	1500.00 lm
------------	--------	-------------------	----	------------	------------

Left beam angle not found, gamma = -75

Luminaire
 Code 55-9335-34-Z5
 Name BALIZAS
 Line Eulumdat

Measur.
 Code LEDES020
 Name BALIZAS
 Date 12-06-2015

Lamp
 Code TC-DSE 23W
 Number 1
 Position

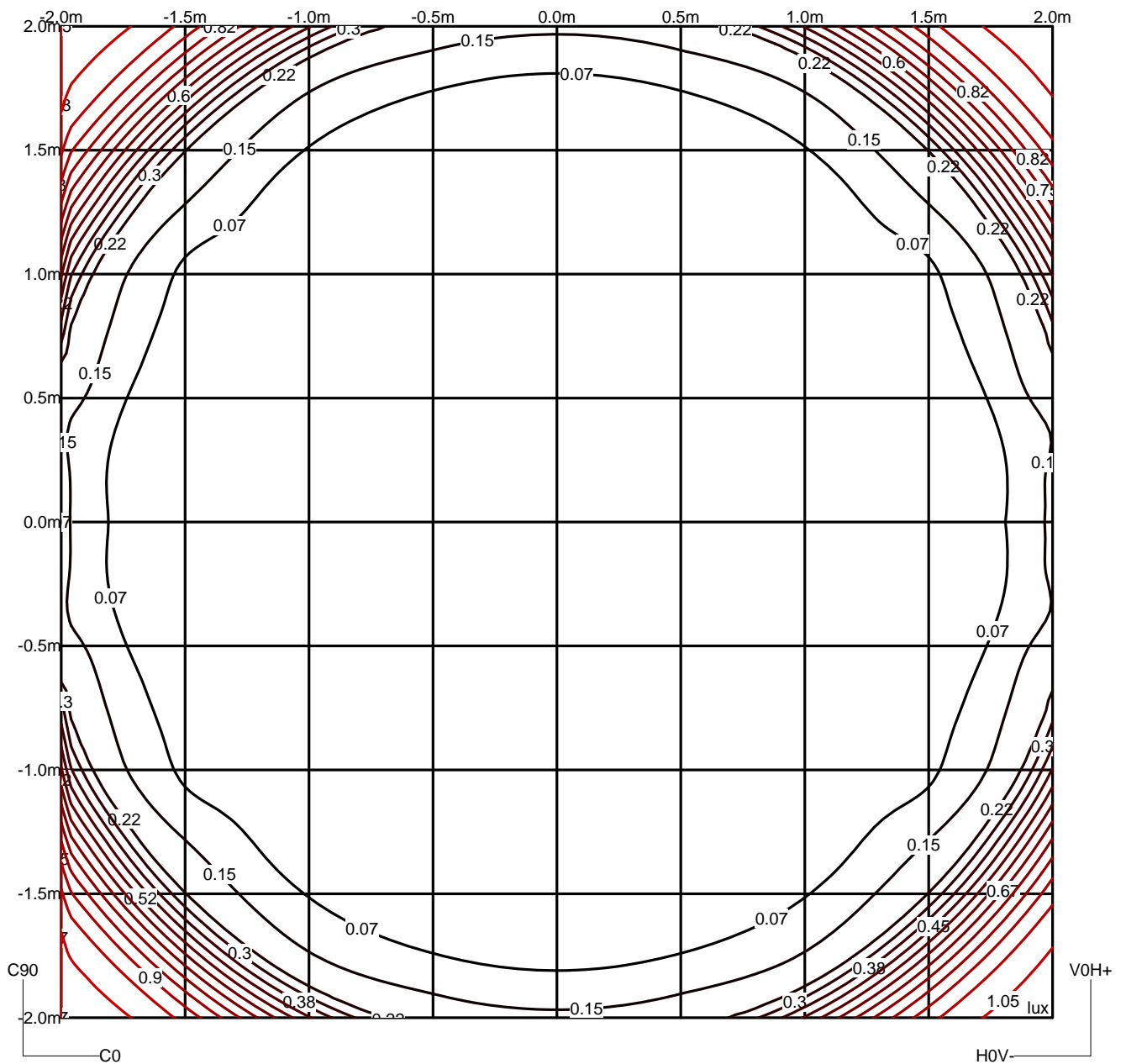
Efficiency 49.00%

Coordinate system CG

Total Flux 1500.00 lm

Isolux (Floor)

Luminaire position X=0.00m Y=0.00m Z=3.00m



Luminaire
 Code 55-9335-34-Z5
 Name BALIZAS
 Line Eulumdat

Measur.
 Code LE DS020
 Name BALIZAS
 Date 12-06-2015

Lamp
 Code TC-DSE 23W
 Number 1
 Position

Efficiency 49.00%

Coordinate system CG

Total Flux 1500.00 lm

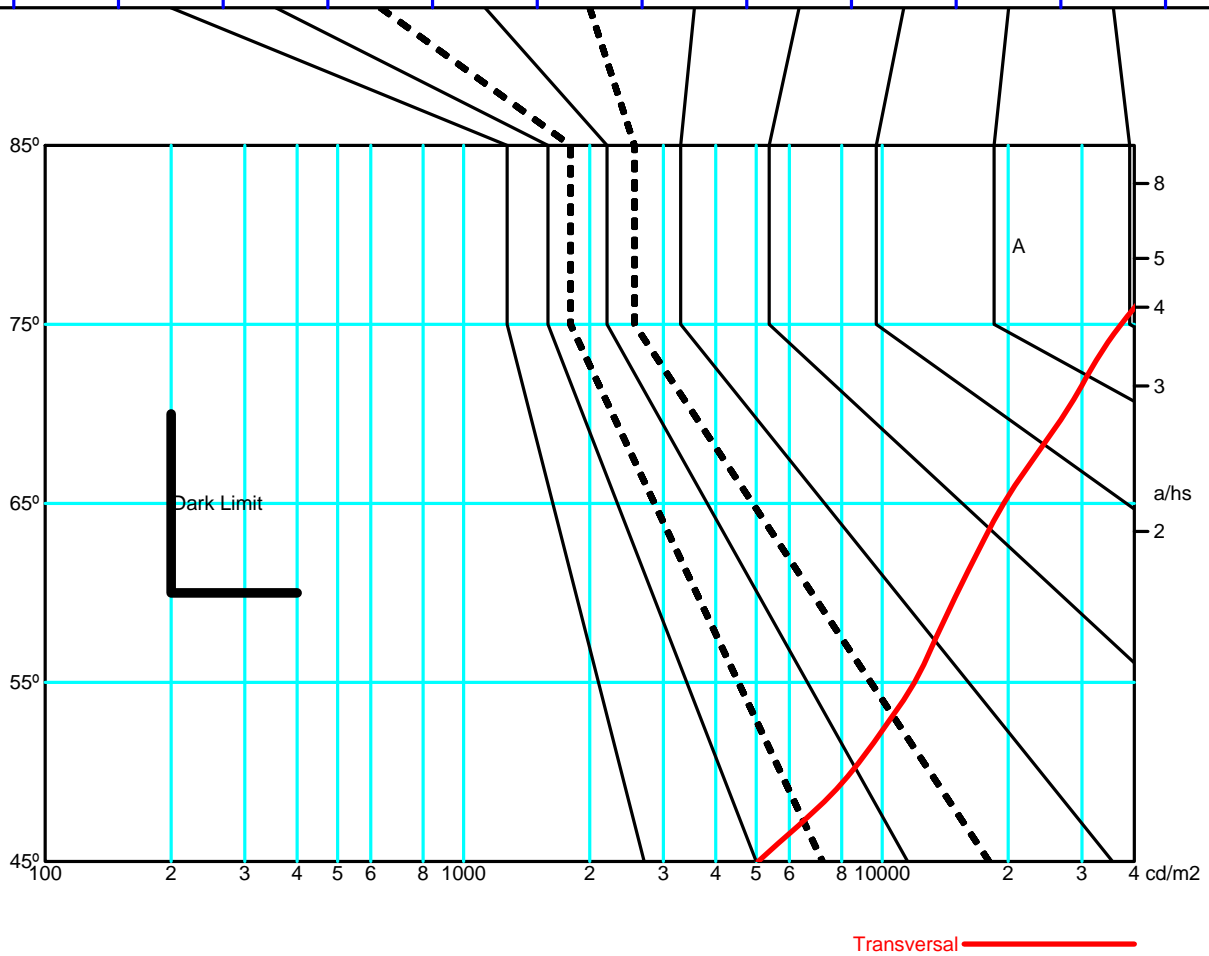
Average Luminance [cd/m²]

0.0° 45° 50° 55° 60° 65° 70° 75° 80° 85° ---

5055 8441 11946 15111 19499 27289 37134 59187 125573

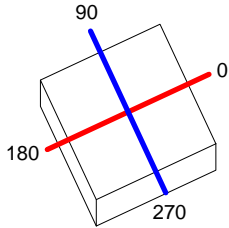
Flush mounted or longitudinal view

		Illumination(lx)										
A	A	2000	1000	750	500		<300					1.15
B	1		2000	1500	1000	750	500	<300				1.5
C					2000		1000	500	<300			1.85
D	2						2000	1000	500	<300		2.2
E	3							2000	1000	500	<300	2.55



Luminaire		Measur.		Lamp	
Code	55-9335-34-Z5	Code	LEDS020	Code	TC-DSE 23W
Name	BALIZAS	Name	BALIZAS	Number	1
Line	Eulumdat	Date	12-06-2015	Position	
Efficiency	49.00%	Coordinate system	CG	Total Flux	1500.00 lm

170mm x 170mm



C Halfplanes



Luminaire		Measur.		Lamp	
Code	55-9335-34-Z5	Code	LEDS020	Code	TC-DSE 23W
Name	BALIZAS	Name	BALIZAS	Number	1
Line	Eulumdat	Date	12-06-2015	Position	
Efficiency	49.00%	Coordinate system	CG	Total Flux	1500.00 lm

UGR
S = 0.250

Reflectancies										
Ceiling/Cavity	0.7	0.7	0.5	0.5	0.3	0.7	0.7	0.5	0.5	0.3
Walls	0.5	0.3	0.5	0.3	0.3	0.5	0.3	0.5	0.3	0.3
WorkingPlane	0.2	0.2	0.2	0.2	0.2	0.2	0.2	0.2	0.2	0.2
RoomDimensions	ViewedCrosswise					ViewedEndwise				
x=2H y=2H	17.6	18.6	18.6	19.6	21.0	17.6	18.6	18.6	19.6	21.0
x=2H y=3H	22.1	23.0	23.0	24.0	25.3	22.1	23.0	23.0	24.0	25.3
x=2H y=4H	24.4	25.2	25.3	26.3	27.6	24.4	25.2	25.3	26.3	27.6
x=2H y=6H	26.9	27.7	27.9	28.7	30.0	26.9	27.7	27.9	28.7	30.0
x=2H y=8H	28.3	29.1	29.3	30.1	31.5	28.3	29.1	29.3	30.1	31.5
x=2H y=12H	29.9	30.6	30.9	31.7	33.0	29.9	30.6	30.9	31.7	33.0
x=4H y=2H	19.2	20.0	20.2	21.1	22.4	19.2	20.1	20.2	21.1	22.4
x=4H y=3H	23.5	24.3	24.5	25.3	26.7	23.5	24.3	24.5	25.3	26.7
x=4H y=4H	25.8	26.5	26.9	27.6	29.0	25.8	26.5	26.9	27.6	29.0
x=4H y=6H	28.5	29.1	29.5	30.1	31.6	28.5	29.1	29.5	30.1	31.6
x=4H y=8H	30.0	30.5	31.0	31.6	33.0	30.0	30.5	31.0	31.6	33.0
x=4H y=12H	31.6	32.1	32.7	33.2	34.6	31.6	32.1	32.7	33.2	34.6
x=8H y=4H	26.8	27.4	27.9	28.5	29.9	26.8	27.4	27.9	28.5	29.9
x=8H y=6H	29.6	30.1	30.7	31.2	32.6	29.6	30.1	30.7	31.2	32.6
x=8H y=8H	31.3	31.7	32.3	32.8	34.2	31.3	31.7	32.3	32.8	34.2
x=8H y=12H	33.1	33.5	34.2	34.6	36.1	33.1	33.5	34.2	34.6	36.1
x=12H y=4H	27.1	27.6	28.2	28.7	30.1	27.1	27.6	28.2	28.7	30.1
x=12H y=6H	30.1	30.5	31.1	31.6	33.0	30.1	30.5	31.1	31.6	33.0
x=12H y=8H	31.8	32.2	32.9	33.3	34.7	31.8	32.2	32.9	33.3	34.7

Luminaire	Measur.	Lamp
Code 55-9335-34-Z5	Code LEDS020	Code TC-DSE 23W
Name BALIZAS	Name BALIZAS	Number 1
Line Eulumdat	Date 12-06-2015	Position

Efficiency 49.00%	Coordinate system CG	Total Flux 1500.00 lm
-------------------	----------------------	-----------------------

Total Flux=1500.00 Luminaire Flux=735.02

	0.60	0.80	1.00	1.25	1.50	2.00	2.50	3.00	4.00	5.00	10.00	20.00
RI	0.00	0.04	0.08	0.13	0.17	0.26	0.32	0.38	0.46	0.53	0.69	0.81
DRR	-	-	-	-	-	-	-	-	-	-	-	-
RC	-	-	-	-	-	-	-	-	-	-	-	-

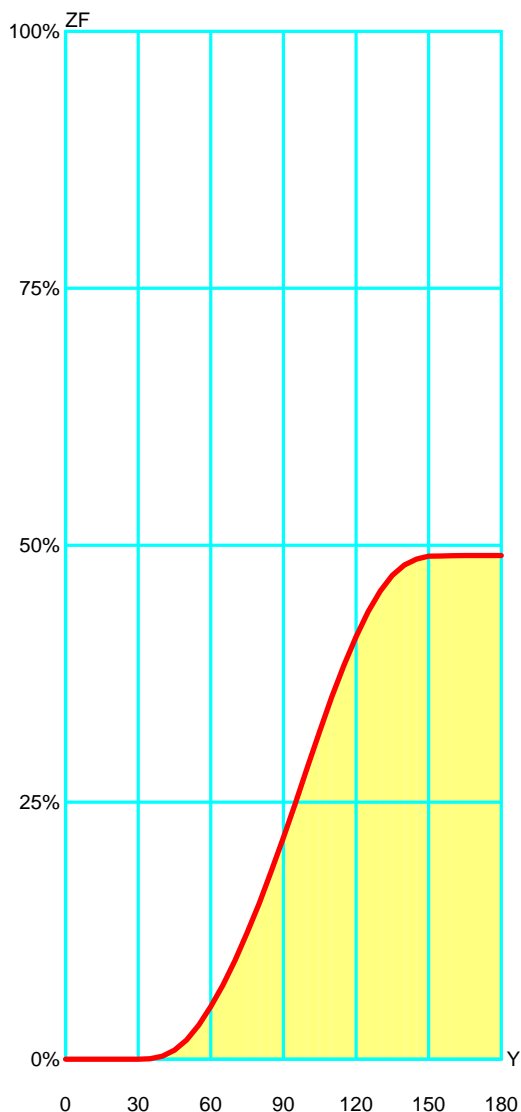
Zonal Flux per 1000 Lumen

	10	20	30	40	50	60	70	80	90	100	110	120	130	140	150	160	170	180
Y°	0	0	0	3	19	51	96	152	216	285	352	411	455	481	489	490	490	490
ZF(Y)																		

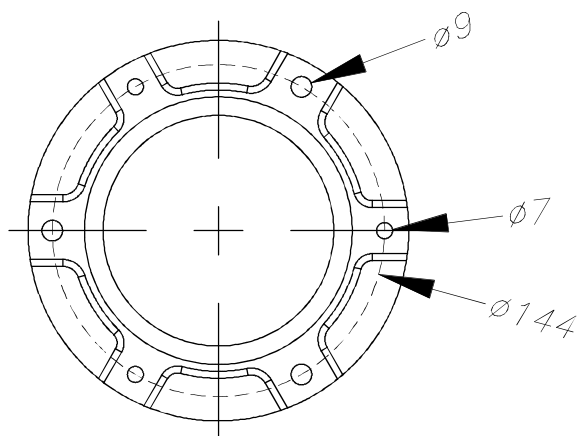
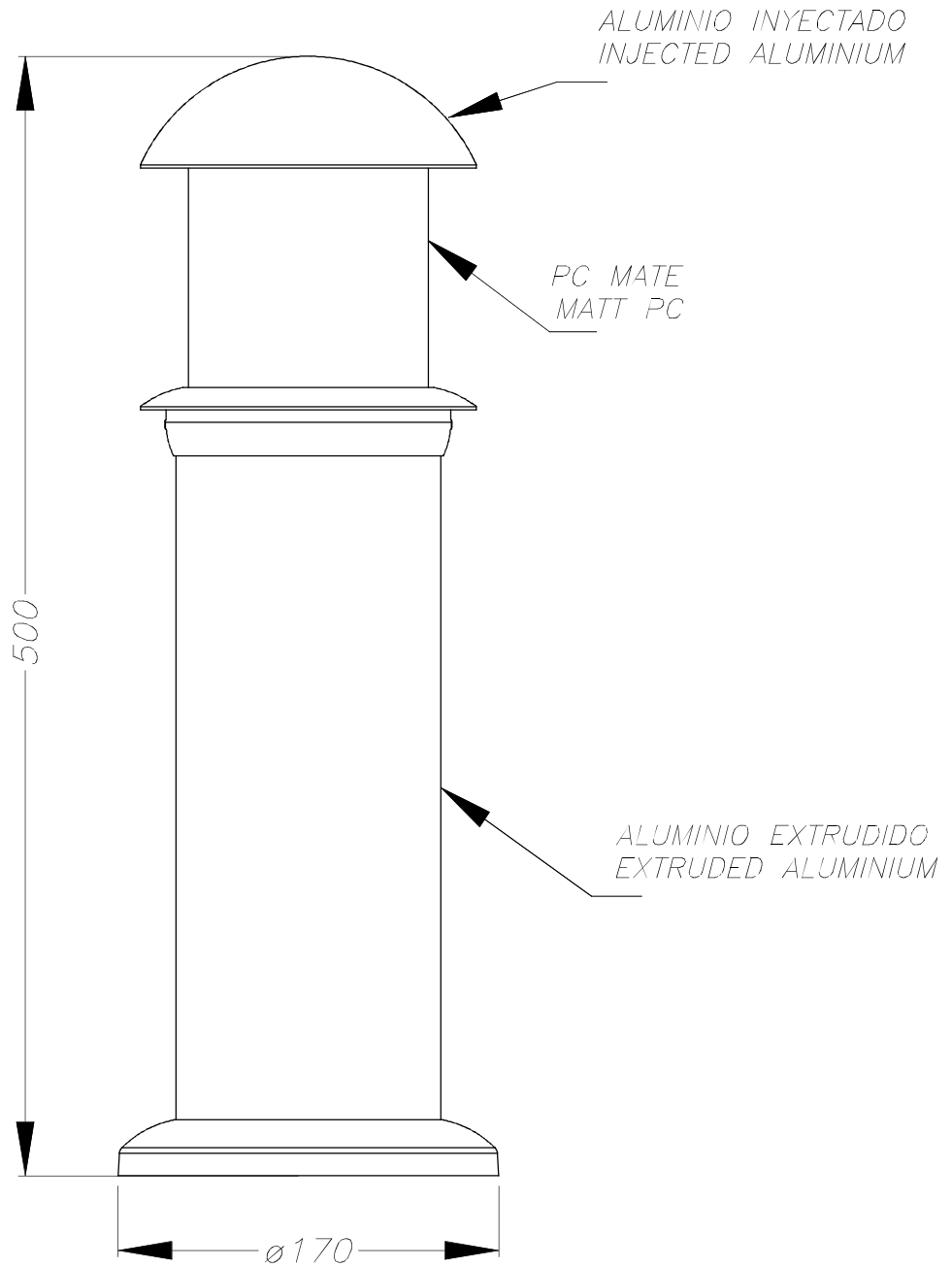
CIE Flux Codes

2 24 58 44 49

C.I.E.	-/-/-/-/-/-/-/-/-/-	LOR	49.00158 %
D DIN 5040	C12	ULOR	27.43984 %
F UTE	--	DLOR	21.56174 %
B NBN	BZ 10	UFF	55.99787 %
RN	55.99787 %	DFF	44.00213 %
BLF	1.0	FFR	127.26172 %



Zonal Flux				
Gamma °	Flux	Sum lm	Flux [%]	Sum [%]
0°	0.00	0.00	0.00 %	0.00 %
5°	0.00	0.00	0.00 %	0.00 %
10°	0.00	0.00	0.00 %	0.00 %
15°	0.00	0.00	0.00 %	0.00 %
20°	0.00	0.00	0.00 %	0.00 %
25°	0.04	0.04	0.01 %	0.01 %
30°	0.03	0.07	0.01 %	0.02 %
35°	0.36	0.43	0.07 %	0.09 %
40°	2.50	2.93	0.51 %	0.60 %
45°	5.96	8.89	1.22 %	1.81 %
50°	9.85	18.74	2.01 %	3.83 %
55°	14.51	33.25	2.96 %	6.79 %
60°	18.05	51.30	3.68 %	10.47 %
65°	20.78	72.08	4.24 %	14.71 %
70°	24.10	96.19	4.92 %	19.63 %
75°	26.79	122.98	5.47 %	25.10 %
80°	28.76	151.75	5.87 %	30.97 %
85°	31.19	182.93	6.36 %	37.33 %
90°	32.68	215.62	6.67 %	44.00 %
95°	34.02	249.64	6.94 %	50.95 %
100°	34.97	284.61	7.14 %	58.08 %
105°	34.67	319.27	7.07 %	65.16 %
110°	33.19	352.46	6.77 %	71.93 %
115°	30.77	383.23	6.28 %	78.21 %
120°	27.81	411.04	5.67 %	83.88 %
125°	24.28	435.33	4.96 %	88.84 %
130°	20.11	455.43	4.10 %	92.94 %
135°	15.26	470.70	3.11 %	96.06 %
140°	10.06	480.76	2.05 %	98.11 %
145°	5.81	486.57	1.19 %	99.30 %
150°	2.83	489.40	0.58 %	99.87 %
155°	0.21	489.60	0.04 %	99.92 %
160°	0.21	489.81	0.04 %	99.96 %
165°	0.21	490.02	0.04 %	100.00 %
170°	0.00	490.02	0.00 %	100.00 %
175°	0.00	490.02	0.00 %	100.00 %
180°	0.00	490.02	0.00 %	100.00 %



PLANTILLA DE INSTALACIÓN
INSTALLATION TEMPLATE

