

Toi LED Small Bath

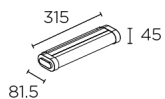
Designer: Manel Llusçà



Description

Bathroom Wall Light IP44 Toi LED Small LED 6.7W 3000K 661lm

	Finish	Material
Structure	Chrome	Aluminium
Diffuser	Sandblasted	Polycarbonate



TECHNICAL CHARACTERISTICS

Light source

Light source: LED SAMSUNG
 Light source power (W): 6.7W
 Luminaire total power (W): 8.7W
 Color temperature: LED warm-white 3000K
 CRI: 80
 Photobiological risk: RG0
 Real Lumen: 661
 Qty Leds: 49
 Lm/Real W: 76
 Life Time: 50.000h L80B20
 Bin / Grup: VA/VB
 MacAdam steps: 3
 UGR: 17.0
 Luminance C0°65°: 7546
 Luminance 90°65°: 6856.1

GEAR

Brand: TRIDONIC
 Gear included: Yes, electronic
 Voltage / Frequency: 220-240V/50-60Hz
 Power Factor: 0.80
 Dimming protocol: ON-OFF
 Flickering: <5%

Luminaire

Recessed in-ground suitable for pedestrian crossing: No
 Warranty: 5 Years

Logistics

Energy Efficiency: LED A++
 EAN Code: 8435575314931
 Net Weight (Kg): 0.52
 Weight in Kg (packaged): 0.76
 Packing: 375 x 95 x 132
 Masterbox: 8

The photograph may not match the reference exactly. Please read the product description to identify the finish.

LEDS C4[®]

Luminaire

Code 05-7830-21-M1
Name TOILET

Measurement

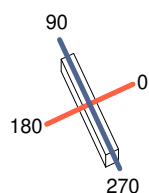
Code 05-7830-21-M1
Name TOILET

Luminaire Flux	660.76 lm	Luminaire Power	8.70 W	Efficacy	75.95 lm/W	Efficiency	100.00%
Sources Flux	660.76 lm	Maximum value	180.72 cd/klm	Position	C=0.00 G=25.00	CG	Double Symmetrical
Rectangular Luminaire		Length	315 mm	Width	42 mm	Height	80 mm
Rectangular Luminous Area		Length	260 mm	Width	40 mm	Height	40 mm
Horizontal Luminous Area	0.010400 m ²			Emitting area on Plane 180°		0.010400 m ²	
Emitting area on Plane 0°	0.010400 m ²			Emitting area on Plane 270°		0.001600 m ²	
Emitting area on Plane 90°	0.001600 m ²			Glare area at 76°		0.012607 m ²	
Coordinate system	CG			Symmetry Type		Double Symmetrical	
Date	29-08-2019			Maximum Gamma Angle		180	
Measurement Distance	0.00			Measurement Flux		660.76 lm	
Operator	qualitat			Rated Voltage			
Temperature	25.00 °C			Rated Current			
Humidity	60.00 %			Photocell			
Notes							

Luminaire Lamps

Line	Code	Name	Flux [lm]	Pow. [W]	Q.ty
	05-7830-21-M1	05-7830-21-M1	660.76	8.70	1
C.I.E.	33 61 83 79 100	D DIN 5040	B21		
F UTE	0.79 H + 0.21 T	B NBN	BZ 6		

315mm x 42mm



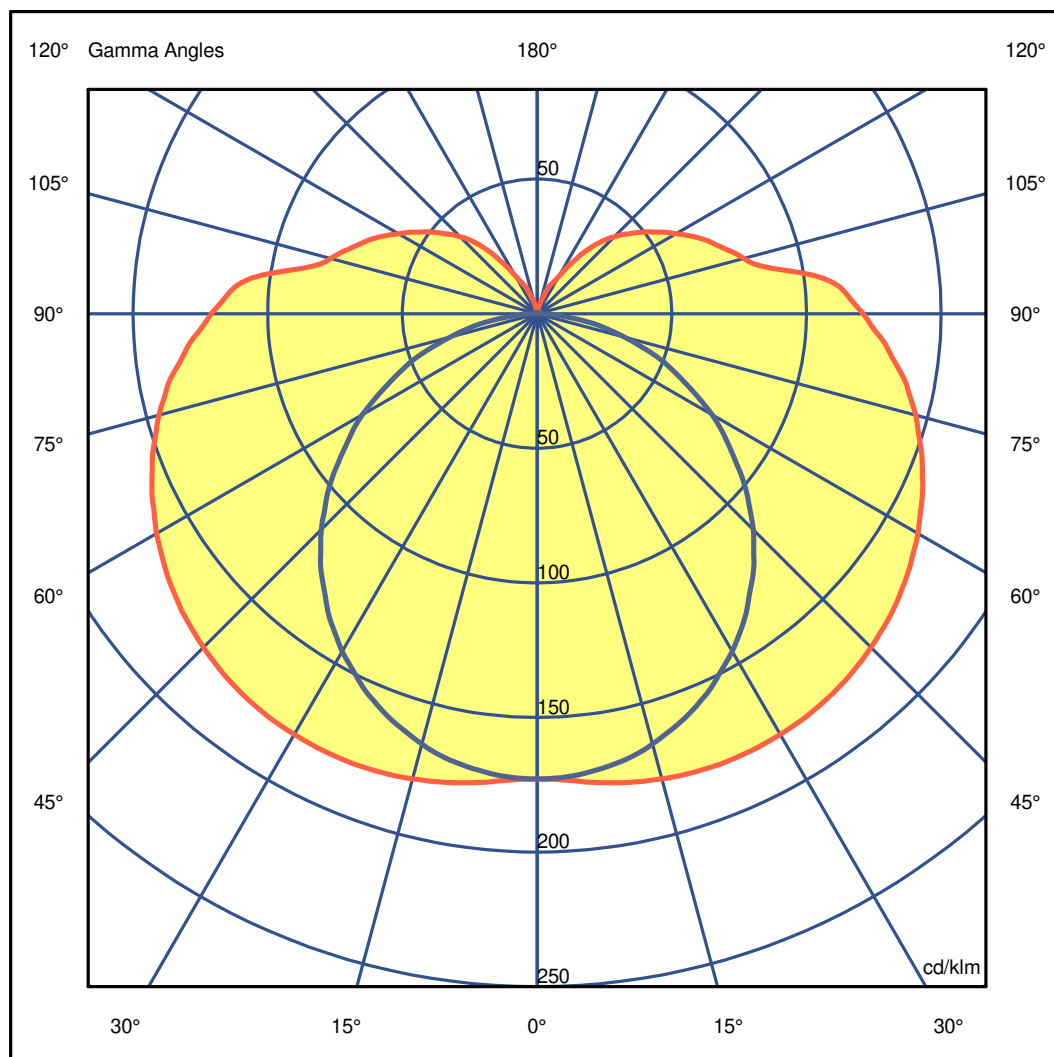
C Halfplanes

180.0 — 0.0
270.0 — 90.0

ULOR 21.41 %

DLOR 78.59 %

RN 21.41 %



LEDS C4⁺

Luminaire

Code 05-7830-21-M1
Name TOILET

Measurerm.

Code 05-7830-21-M1
Name TOILET

Luminaire Flux	660.76 lm	Luminaire Power	8.70 W	Efficacy	75.95 lm/W	Efficiency	100.00%
Sources Flux	660.76 lm	Maximum value	180.72 cd/klm	Position	C=0.00 G=25.00	CG	Double Symmetrical

Luminous Intensity Table cd/klm Table 1/1

	C 0.00	C 15.00	C 30.00	C 45.00	C 60.00	C 75.00	C 90.00
G 0.0	172.78	172.78	172.78	172.78	172.78	172.78	172.78
G 2.5	173.13	173.50	173.23	173.08	172.83	172.62	172.60
G 5.0	174.31	174.77	174.07	173.59	172.82	172.21	171.95
G 7.5	175.70	175.92	174.97	174.01	172.67	171.50	170.85
G 10.0	176.85	177.00	175.70	174.23	172.27	170.39	169.54
G 12.5	177.92	177.98	176.24	174.18	171.55	169.04	167.85
G 15.0	178.82	178.78	176.60	173.88	170.50	167.34	165.49
G 17.5	179.67	179.38	176.71	173.31	169.06	165.25	162.72
G 20.0	180.19	179.72	176.63	172.48	167.50	162.63	159.98
G 22.5	180.57	179.94	176.27	171.36	165.49	159.97	156.62
G 25.0	180.72	179.90	175.75	170.03	163.07	157.03	153.07
G 27.5	180.67	179.67	174.92	168.39	160.44	153.55	148.76
G 30.0	180.44	179.28	173.90	166.57	157.77	149.49	144.78
G 32.5	180.15	178.63	172.65	164.26	154.78	145.67	140.09
G 35.0	179.58	177.81	171.16	162.06	151.09	141.49	135.39
G 37.5	178.77	176.79	169.55	159.43	147.59	137.02	129.75
G 40.0	177.86	175.71	167.65	156.62	144.01	131.75	124.93
G 42.5	176.62	174.31	165.74	153.55	140.09	127.13	119.01
G 45.0	175.29	172.64	163.40	150.52	135.43	121.82	113.42
G 47.5	173.69	170.86	161.14	147.20	131.01	116.56	106.94
G 50.0	172.09	169.10	158.47	143.88	126.90	110.54	101.10
G 52.5	170.02	166.97	156.03	140.13	122.01	105.05	94.19
G 55.0	168.00	164.45	153.12	136.58	116.99	99.33	87.47
G 57.5	165.52	161.90	150.18	132.74	112.10	93.51	81.38
G 60.0	163.22	159.57	147.01	128.79	107.71	87.14	74.99
G 62.5	160.34	156.77	144.01	124.77	102.54	81.02	67.62
G 65.0	157.84	153.60	140.42	121.04	97.38	75.45	60.65
G 67.5	154.80	150.54	136.98	116.85	92.60	69.35	54.21
G 70.0	151.94	147.56	133.53	112.61	88.13	63.15	47.94
G 72.5	148.44	144.47	129.91	108.59	83.31	57.26	40.69
G 75.0	145.45	140.82	126.11	104.60	78.34	51.92	33.56
G 77.5	141.75	137.25	122.37	100.71	74.05	46.56	27.36
G 80.0	138.24	133.57	118.54	96.68	70.01	41.09	21.37
G 82.5	133.54	129.91	114.77	92.72	66.00	36.53	14.79
G 85.0	129.74	125.25	110.80	88.92	61.49	32.27	8.61
G 87.5	124.94	120.99	106.88	85.36	58.11	28.46	4.20
G 90.0	121.02	116.93	103.10	81.50	54.93	25.38	1.70
G 92.5	116.71	113.20	99.34	78.09	51.68	22.85	0.94
G 95.0	112.87	108.73	95.60	74.75	48.42	20.66	0.81
G 97.5	105.39	102.14	91.89	71.51	45.88	18.91	0.80
G100.0	93.35	86.23	87.82	68.11	43.51	17.57	0.77
G102.5	83.66	74.21	81.90	65.04	40.98	16.36	0.71
G105.0	79.40	66.95	74.13	61.26	38.55	15.33	0.71
G107.5	76.10	64.42	65.57	56.59	36.38	14.15	0.68
G110.0	72.62	62.56	58.64	51.07	33.76	12.69	0.71
G112.5	69.64	60.68	52.58	45.99	30.53	10.97	0.71
G115.0	66.56	58.26	48.39	41.24	27.35	9.56	0.71
G117.5	63.05	56.13	45.19	37.12	24.60	8.53	0.70
G120.0	59.52	53.61	43.05	33.47	21.87	7.76	0.67
G122.5	56.48	51.08	40.99	30.78	18.96	7.02	0.68
G125.0	52.95	48.28	38.96	28.70	16.27	6.28	0.67
G127.5	50.00	45.75	37.01	26.73	14.18	5.50	0.67
G130.0	46.61	43.06	35.04	24.63	12.71	4.80	0.67
G132.5	43.67	40.28	32.69	22.30	11.59	3.98	0.65
G135.0	40.45	37.32	29.93	19.76	10.66	3.32	0.64
G137.5	37.47	34.12	26.73	17.03	9.94	2.83	0.61
G140.0	33.36	30.17	23.46	14.77	9.08	2.46	0.57
G142.5	29.23	25.68	19.42	13.67	7.84	2.11	0.56
G145.0	24.33	20.66	16.48	12.57	6.50	1.77	0.54
G147.5	19.99	16.84	14.71	11.23	5.28	1.45	0.54
G150.0	16.28	15.11	13.29	9.34	3.79	1.14	0.54
G152.5	13.62	13.43	11.49	6.85	3.12	0.89	0.50
G155.0	12.01	11.70	9.32	5.11	2.63	0.74	0.50
G157.5	10.28	9.38	6.66	3.99	2.06	0.57	0.44
G160.0	7.23	7.02	4.76	3.05	1.41	0.46	0.40
G162.5	5.58	4.76	3.18	2.28	0.97	0.39	0.40
G165.0	3.93	2.78	2.21	1.58	0.73	0.40	0.37
G167.5	1.71	1.79	1.40	1.03	0.51	0.41	0.41
G170.0	1.09	1.06	0.84	0.66	0.38	0.42	0.43
G172.5	0.39	0.56	0.53	0.45	0.39	0.42	0.44
G175.0	0.40	0.39	0.42	0.38	0.40	0.42	0.47
G177.5	0.40	0.41	0.43	0.39	0.40	0.45	0.47
G180.0	0.41	0.41	0.41	0.41	0.41	0.41	0.41

LEDS C4²

Luminaire

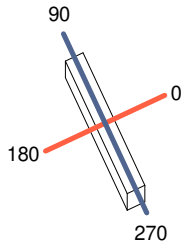
Code 05-7830-21-M1
Name TOILET

Measur.

Code 05-7830-21-M1
Name TOILET

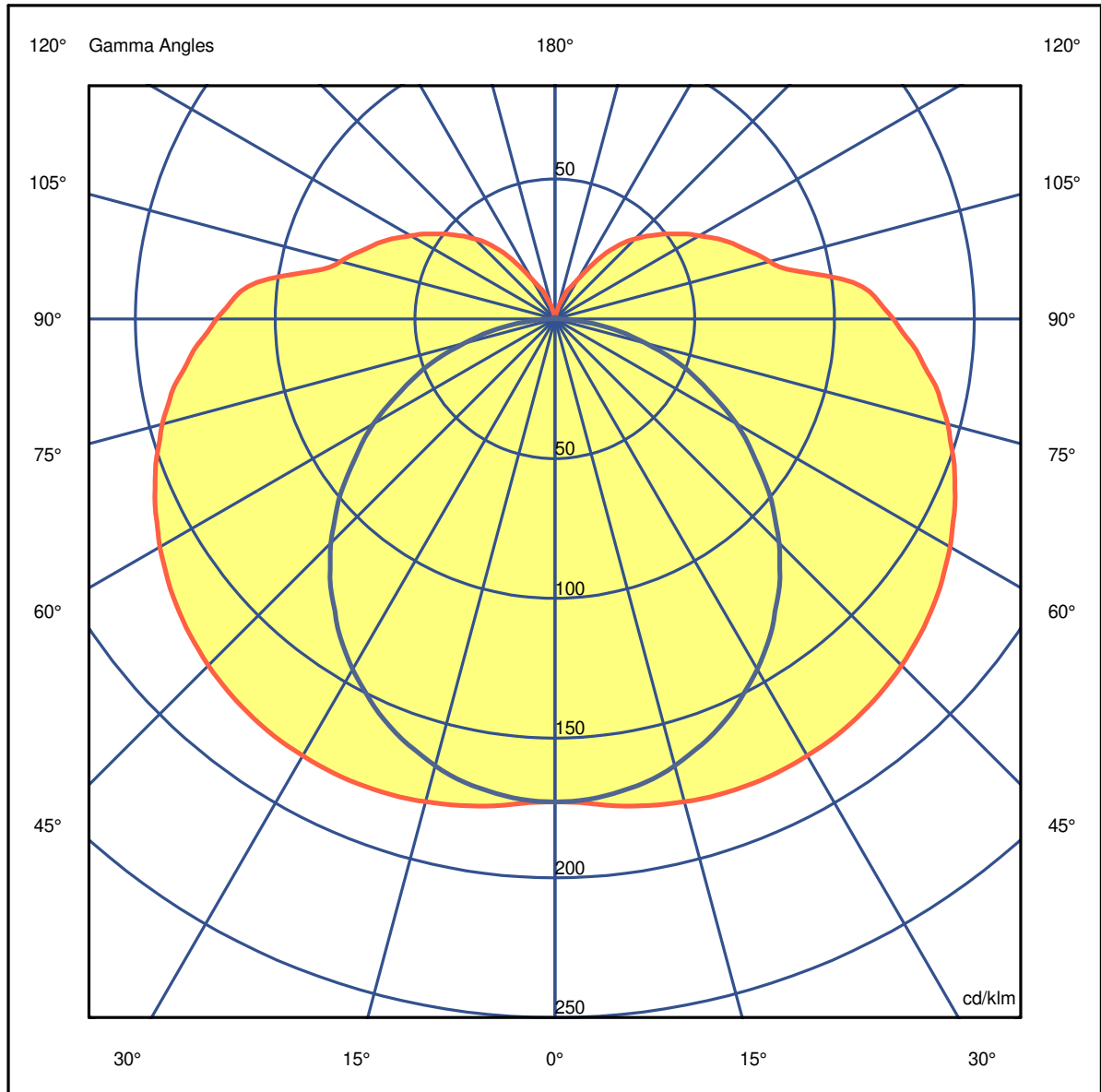
Luminaire Flux	660.76 lm	Luminaire Power	8.70 W	Efficacy	75.95 lm/W	Efficiency	100.00%
Sources Flux	660.76 lm	Maximum value	180.72 cd/klm	Position	C=0.00 G=25.00	CG	Double Symmetrical

315mm x 42mm



C Halfplanes

180.0 ———— 0.0
270.0 ———— 90.0



LEDS C4²

Luminaire

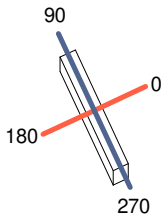
Code 05-7830-21-M1
Name TOILET

Measurem.

Code 05-7830-21-M1
Name TOILET

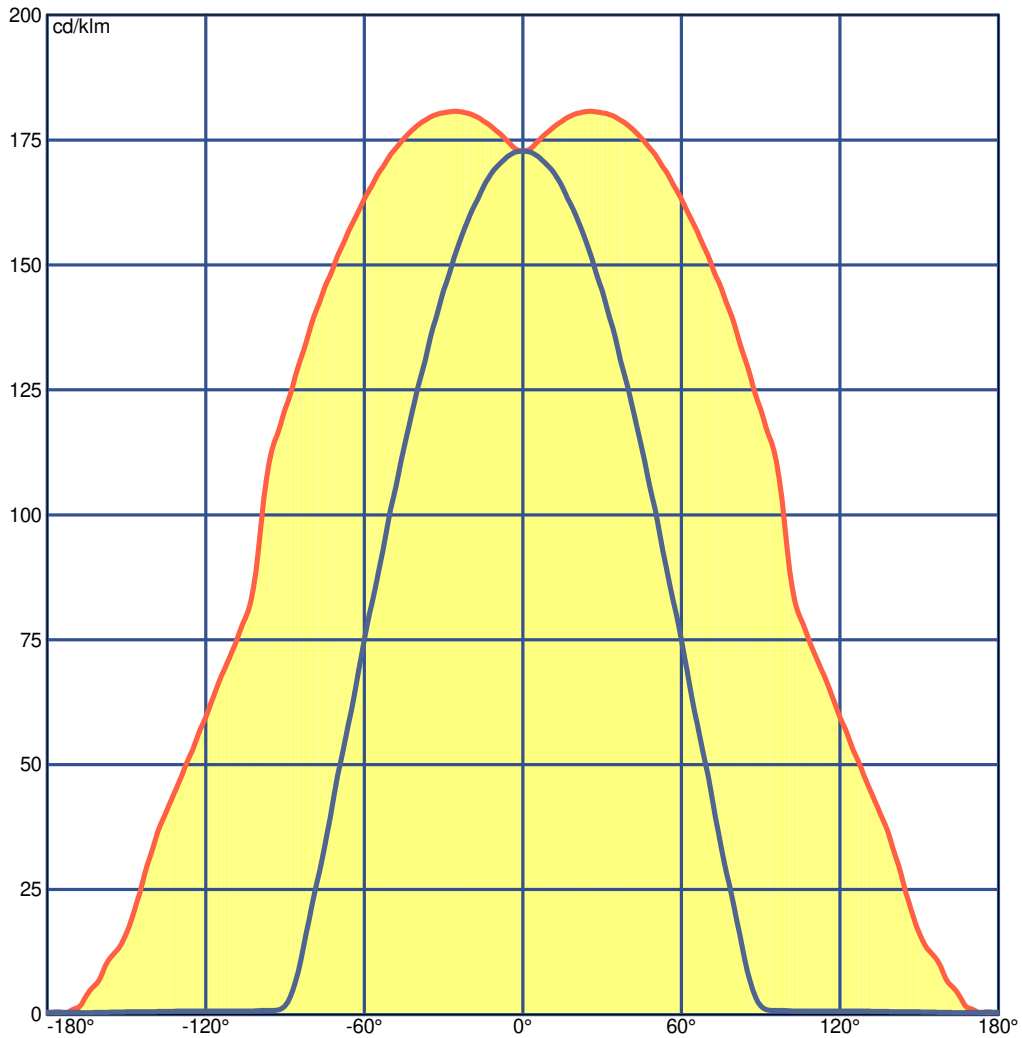
Luminaire Flux	660.76 lm	Luminaire Power	8.70 W	Efficacy	75.95 lm/W	Efficiency	100.00%
Sources Flux	660.76 lm	Maximum value	180.72 cd/klm	Position	C=0.00 G=25.00	CG	Double Symmetrical

315mm x 42mm



C Halfplanes

180.0 ———— 0.0
270.0 ———— 90.0



LEDS C4[®]

Luminaire

Code 05-7830-21-M1

Name TOILET

Measurem.

Code 05-7830-21-M1

Name TOILET

Luminaire Flux	660.76 lm	Luminaire Power	8.70 W	Efficacy	75.95 lm/W	Efficiency	100.00%
Sources Flux	660.76 lm	Maximum value	180.72 cd/klm	Position	C=0.00 G=25.00	CG	Double Symmetrical

UGR
S = 0.250

Reflectancies										
Ceiling/Cavity	0.7	0.7	0.5	0.5	0.3	0.7	0.7	0.5	0.5	0.3
Walls	0.5	0.3	0.5	0.3	0.3	0.5	0.3	0.5	0.3	0.3
WorkingPlane	0.2	0.2	0.2	0.2	0.2	0.2	0.2	0.2	0.2	0.2
RoomDimensions	Viewed Crosswise					Viewed Endwise				
x=2H y=2H	18.7	19.9	19.3	20.5	21.2	16.9	18.1	17.4	18.7	19.3
x=2H y=3H	21.1	22.2	21.7	22.8	23.6	18.4	19.5	19.0	20.1	20.8
x=2H y=4H	22.3	23.4	23.0	24.0	24.8	19.0	20.0	19.6	20.7	21.4
x=2H y=6H	23.6	24.6	24.2	25.2	26.0	19.4	20.4	20.1	21.0	21.8
x=2H y=8H	24.2	25.1	24.8	25.8	26.5	19.5	20.5	20.2	21.1	21.9
x=2H y=12H	24.7	25.6	25.4	26.3	27.1	19.6	20.5	20.3	21.2	22.0
x=4H y=2H	19.3	20.4	19.9	21.0	21.7	18.0	19.1	18.6	19.7	20.4
x=4H y=3H	22.0	22.9	22.6	23.6	24.3	19.8	20.7	20.4	21.3	22.1
x=4H y=4H	23.4	24.2	24.1	24.9	25.7	20.5	21.3	21.2	22.0	22.8
x=4H y=6H	24.8	25.5	25.5	26.2	27.1	21.1	21.8	21.8	22.6	23.4
x=4H y=8H	25.5	26.2	26.2	26.9	27.8	21.3	22.0	22.0	22.7	23.6
x=4H y=12H	26.2	26.8	26.9	27.5	28.4	21.4	22.1	22.2	22.8	23.7
x=8H y=4H	23.7	24.4	24.5	25.1	26.0	21.4	22.1	22.2	22.9	23.7
x=8H y=6H	25.4	26.0	26.1	26.7	27.6	22.3	22.9	23.1	23.7	24.5
x=8H y=8H	26.2	26.8	27.0	27.5	28.4	22.7	23.2	23.5	24.0	24.9
x=8H y=12H	27.1	27.6	27.9	28.3	29.3	23.0	23.4	23.7	24.2	25.1
x=12H y=4H	23.8	24.4	24.5	25.1	26.0	21.7	22.3	22.4	23.0	23.9
x=12H y=6H	25.5	26.0	26.2	26.8	27.7	22.7	23.2	23.5	24.0	24.9
x=12H y=8H	26.4	26.9	27.2	27.6	28.6	23.2	23.7	24.0	24.4	25.4

LEDS C4⁺

Luminaire

Code 05-7830-21-M1
Name TOILET

Measurement

Code 05-7830-21-M1
Name TOILET

Luminaire Flux	660.76 lm	Luminaire Power	8.70 W	Efficacy	75.95 lm/W	Efficiency	100.00%
Sources Flux	660.76 lm	Maximum value	180.72 cd/klm	Position	C=0.00 G=25.00	CG	Double Symmetrical

Total Flux=660.76 Luminaire Flux=660.76

RI	0.60	0.80	1.00	1.25	1.50	2.00	2.50	3.00	4.00	5.00	10.00	20.00
DRR	0.21	0.28	0.34	0.41	0.46	0.54	0.60	0.65	0.71	0.75	0.85	0.91
RC	8	8	8	8	8	8	8	8	8	8	8	8

Zonal Flux per 1000 Lumen

Y°	10	20	30	40	50	60	70	80	90	100	110	120	130	140	150	160	170	180
ZF(Y)	17	66	144	244	358	477	593	697	786	859	912	948	973	989	997	999	1000	1000

CIE Flux Codes

33 61 83 79 100

C.I.E. 8
D DIN 5040 B21
F UTE 0.79 H + 0.21 T
B NBN BZ 6
RN 21.40510 %
BLF 1.0

LOR 100.00000 %
ULOR 21.40510 %
DLOR 78.59490 %
UFF 21.40510 %
DFF 78.59490 %
FFR 27.23471 %



Gamma °	Zonal Flux			
	Flux	Sum lm	Flux [%]	Sum [%]
0°	0.00	0.00	0.00%	0.00%
5°	4.14	4.14	0.41%	0.41%
10°	12.43	16.57	1.24%	1.66%
15°	20.59	37.16	2.06%	3.72%
20°	28.42	65.57	2.84%	6.56%
25°	35.70	101.27	3.57%	10.13%
30°	42.23	143.50	4.22%	14.35%
35°	47.88	191.38	4.79%	19.14%
40°	52.51	243.89	5.25%	24.39%
45°	56.04	299.93	5.60%	29.99%
50°	58.38	358.31	5.84%	35.83%
55°	59.57	417.87	5.96%	41.79%
60°	59.61	477.48	5.96%	47.75%
65°	58.59	536.07	5.86%	53.61%
70°	56.62	592.69	5.66%	59.27%
75°	53.85	646.53	5.38%	64.65%
80°	50.43	696.97	5.04%	69.70%
85°	46.55	743.51	4.65%	74.35%
90°	42.44	785.95	4.24%	78.59%
95°	38.70	824.65	3.87%	82.47%
100°	34.47	859.12	3.45%	85.91%
105°	28.72	887.85	2.87%	88.78%
110°	24.02	911.87	2.40%	91.19%
115°	19.96	931.83	2.00%	93.18%
120°	16.52	948.35	1.65%	94.84%
125°	13.68	962.03	1.37%	96.20%
130°	11.21	973.24	1.12%	97.32%
135°	8.96	982.20	0.90%	98.22%
140°	6.76	988.96	0.68%	98.90%
145°	4.66	993.63	0.47%	99.36%
150°	2.97	996.59	0.30%	99.66%
155°	1.83	998.42	0.18%	99.84%
160°	0.99	999.41	0.10%	99.94%
165°	0.41	999.82	0.04%	99.98%
170°	0.13	999.95	0.01%	100.00%
175°	0.04	999.99	0.00%	100.00%
180°	0.01	1000.00	0.00%	100.00%

LEDS C4⁺

Luminaire

Code 05-7830-21-M1

Name TOILET

Measurement

Code 05-7830-21-M1

Name TOILET

Luminaire Flux	660.76 lm	Luminaire Power	8.70 W	Efficacy	75.95 lm/W	Efficiency	100.00%
Sources Flux	660.76 lm	Maximum value	180.72 cd/klm	Position	C=0.00 G=25.00	CG	Double Symmetrical

Utilizations CIE

Mounting	Direct	Normalization										Normalised										Suspension Ratid/3										Standard CIE Settings																																																																																																																																																																																																																																																																																							
Ceiling																																																																																																																																																																																																																																																																																																																							
K	8873	8773	8871	8771	7773	7771	7753	7553	7751	7551	7731	7331	7711	7111	5551	5531	5331	5511	5111	3331	3311	1111	0000	0.60	370	332	333	300	316	286	245	208	227	194	187	141	158	107	181	151	133	128	102	126	108	94	80	0.80	418	383	360	332	364	318	285	249	255	224	210	167	176	129	209	175	158	148	123	150	128	112	95	1.00	450	418	374	350	398	335	316	282	273	245	226	186	190	146	230	193	177	163	139	168	143	128	107	1.25	478	450	382	362	428	348	347	315	288	263	241	205	204	163	247	210	195	179	156	185	159	144	119	1.50	498	473	385	368	450	354	370	341	297	276	252	219	214	177	260	222	209	191	170	199	172	157	128	2.00	523	502	384	371	479	358	405	379	308	291	266	239	230	198	275	240	228	210	191	219	192	177	143	2.50	538	521	380	370	497	359	430	407	314	299	275	252	242	214	285	252	242	223	206	232	207	192	153	3.00	548	533	376	367	510	357	448	427	317	305	282	261	251	226	291	260	251	233	218	242	218	204	161	4.00	561	550	369	363	526	354	473	456	320	311	290	274	263	242	298	272	264	247	235	255	233	221	171	5.00	569	560	363	359	536	351	489	475	322	314	295	282	271	254	302	279	273	257	246	264	244	233	178	10.00	584	579	348	346	556	340	527	518	322	319	306	299	290	280	309	294	290	279	273	283	269	260	195	20.00	590	587	336	335	564	330	547	543	320	319	311	307	301	296	310	301	300	292	289	292	284	276	204

Wall

K	8873	8773	8871	8771	7773	7771	7753	7553	7751	7551	7731	7331	7711	7111	5551	5531	5331	5511	5111	3331	3311	1111	0000	0.60	464	444	417	400	433	392	341	324	316	302	265	247	228	211	294	250	243	217	208	239	209	203	186	0.80	539	518	473	457	503	446	409	390	372	357	319	300	279	260	345	300	293	265	255	287	255	247	226	1.00	595	575	513	499	555	485	463	443	414	399	362	342	321	300	385	340	332	305	294	324	292	283	259	1.25	649	630	550	537	606	522	518	498	456	441	405	384	364	342	424	380	373	345	334	362	331	319	292	1.50	691	673	578	567	647	550	562	542	489	475	439	420	399	378	455	413	406	379	367	393	363	349	320	2.00	750	734	615	606	704	588	627	608	534	522	489	471	452	431	499	461	454	429	418	438	410	394	360	2.50	792	778	641	634	745	615	675	658	567	557	527	510	491	472	531	497	490	467	456	472	446	428	391	3.00	824	812	662	655	776	636	712	697	594	584	556	541	523	505	557	525	519	497	487	499	475	455	416	4.00	876	866	697	692	827	673	772	759	637	629	604	592	575	559	600	572	567	547	538	544	522	500	459	5.00	915	907	726	722	867	702	818	806	671	665	642	631	616	602	634	609	605	587	579	580	560	537	493	10.00	1000	1000	815	813	980	793	949	941	773	770	754	748	736	728	736	720	717	704	699	688	674	647	598	20.00	1000	1000	899	898	1000	879	1000	1000	867	865	855	851	843	838	829	819	818	809	806	786	777	747	695
---	------	------	------	------	------	------	------	------	------	------	------	------	------	------	------	------	------	------	------	------	------	------	------	------	-----	-----	-----	-----	-----	-----	-----	-----	-----	-----	-----	-----	-----	-----	-----	-----	-----	-----	-----	-----	-----	-----	-----	------	-----	-----	-----	-----	-----	-----	-----	-----	-----	-----	-----	-----	-----	-----	-----	-----	-----	-----	-----	-----	-----	-----	-----	------	-----	-----	-----	-----	-----	-----	-----	-----	-----	-----	-----	-----	-----	-----	-----	-----	-----	-----	-----	-----	-----	-----	-----	------	-----	-----	-----	-----	-----	-----	-----	-----	-----	-----	-----	-----	-----	-----	-----	-----	-----	-----	-----	-----	-----	-----	-----	------	-----	-----	-----	-----	-----	-----	-----	-----	-----	-----	-----	-----	-----	-----	-----	-----	-----	-----	-----	-----	-----	-----	-----	------	-----	-----	-----	-----	-----	-----	-----	-----	-----	-----	-----	-----	-----	-----	-----	-----	-----	-----	-----	-----	-----	-----	-----	------	-----	-----	-----	-----	-----	-----	-----	-----	-----	-----	-----	-----	-----	-----	-----	-----	-----	-----	-----	-----	-----	-----	-----	------	-----	-----	-----	-----	-----	-----	-----	-----	-----	-----	-----	-----	-----	-----	-----	-----	-----	-----	-----	-----	-----	-----	-----	------	-----	-----	-----	-----	-----	-----	-----	-----	-----	-----	-----	-----	-----	-----	-----	-----	-----	-----	-----	-----	-----	-----	-----	------	-----	-----	-----	-----	-----	-----	-----	-----	-----	-----	-----	-----	-----	-----	-----	-----	-----	-----	-----	-----	-----	-----	-----	-------	------	------	-----	-----	-----	-----	-----	-----	-----	-----	-----	-----	-----	-----	-----	-----	-----	-----	-----	-----	-----	-----	-----	-------	------	------	-----	-----	------	-----	------	------	-----	-----	-----	-----	-----	-----	-----	-----	-----	-----	-----	-----	-----	-----	-----

Working Pl.

K	8873	8773	8871	8771	7773	7771	7753	7553	7751	7551	7731	7331	7711	7111	5551	5531	5331	5511	5111	3331	3311	1111	0000	0.60	484	462	451	433	448	421	337	320	324	309	258	240	211	194	299	241	234	198	190	229	190	183	166	0.80	583	559	537	518	539	501	423	402	403	386	333	311	281	258	370	309	301	263	252	292	250	240	220	1.00	661	637	603	584	611	564	496	473	469	450	398	373	342	317	429	368	359	320	307	346	303	290	268	1.25	738	714	665	648	682	624	570	545	534	514	463	437	407	379	487	428	418	380	366	401	359	342	319	1.50	797	774	712	696	737	670	629	604	584	565	516	489	460	431	534	477	466	429	414	446	404	384	360	2.00	883	863	778	765	819	736	720	696	660	643	598	572	544	515	605	553	543	508	492	516	477	452	426	2.50	942	924	822	811	875	780	785	762	713	697	655	631	605	577	654	606	597	564	549	565	530	500	473	3.00	984	968	853	843	915	811	833	812	750	737	698	675	651	624	690	646	637	607	593	602	569	536	509	4.00	1000	1000	892	885	969	851	899	881	801	789	755	736	714	690	737	700	692	666	653	651	623	585	557	5.00	1000	1000	917	911	1000	877	943	927	833	824	793	777	756	735	769	736	729	705	694	684	659	617	589	10.00	1000	1000	972	969	1000	934	1000	1000	907	902	882	872	857	844	841	820	816	800	792	762	746	696	666	20.00	1000	1000	1000	1000	1000	966	1000	1000	951	948	936	931	921	914	884	872	869	860	855	811	801	746	716
---	------	------	------	------	------	------	------	------	------	------	------	------	------	------	------	------	------	------	------	------	------	------	------	------	-----	-----	-----	-----	-----	-----	-----	-----	-----	-----	-----	-----	-----	-----	-----	-----	-----	-----	-----	-----	-----	-----	-----	------	-----	-----	-----	-----	-----	-----	-----	-----	-----	-----	-----	-----	-----	-----	-----	-----	-----	-----	-----	-----	-----	-----	-----	------	-----	-----	-----	-----	-----	-----	-----	-----	-----	-----	-----	-----	-----	-----	-----	-----	-----	-----	-----	-----	-----	-----	-----	------	-----	-----	-----	-----	-----	-----	-----	-----	-----	-----	-----	-----	-----	-----	-----	-----	-----	-----	-----	-----	-----	-----	-----	------	-----	-----	-----	-----	-----	-----	-----	-----	-----	-----	-----	-----	-----	-----	-----	-----	-----	-----	-----	-----	-----	-----	-----	------	-----	-----	-----	-----	-----	-----	-----	-----	-----	-----	-----	-----	-----	-----	-----	-----	-----	-----	-----	-----	-----	-----	-----	------	-----	-----	-----	-----	-----	-----	-----	-----	-----	-----	-----	-----	-----	-----	-----	-----	-----	-----	-----	-----	-----	-----	-----	------	-----	-----	-----	-----	-----	-----	-----	-----	-----	-----	-----	-----	-----	-----	-----	-----	-----	-----	-----	-----	-----	-----	-----	------	------	------	-----	-----	-----	-----	-----	-----	-----	-----	-----	-----	-----	-----	-----	-----	-----	-----	-----	-----	-----	-----	-----	------	------	------	-----	-----	------	-----	-----	-----	-----	-----	-----	-----	-----	-----	-----	-----	-----	-----	-----	-----	-----	-----	-----	-------	------	------	-----	-----	------	-----	------	------	-----	-----	-----	-----	-----	-----	-----	-----	-----	-----	-----	-----	-----	-----	-----	-------	------	------	------	------	------	-----	------	------	-----	-----	-----	-----	-----	-----	-----	-----	-----	-----	-----	-----	-----	-----	-----

LM53 SHR C0-C180: 1.577 SHR C90-C270: 1.238 SHR Square: 1.587

LEDS C4²

Luminaire

Code 05-7830-21-M1
Name TOILET

Measurem.

Code 05-7830-21-M1
Name TOILET

Luminaire Flux	660.76 lm	Luminaire Power	8.70 W	Efficacy	75.95 lm/W	Efficiency	100.00%
Sources Flux	660.76 lm	Maximum value	180.72 cd/klm	Position	C=0.00 G=25.00	CG	Double Symmetrical

Right beam angle not found, gamma = 26

Right beam angle not found, gamma = 26

Right beam angle not found, gamma = 26

LEDS C4²

Luminaire

Code 05-7830-21-M1

Name TOILET

Measur.

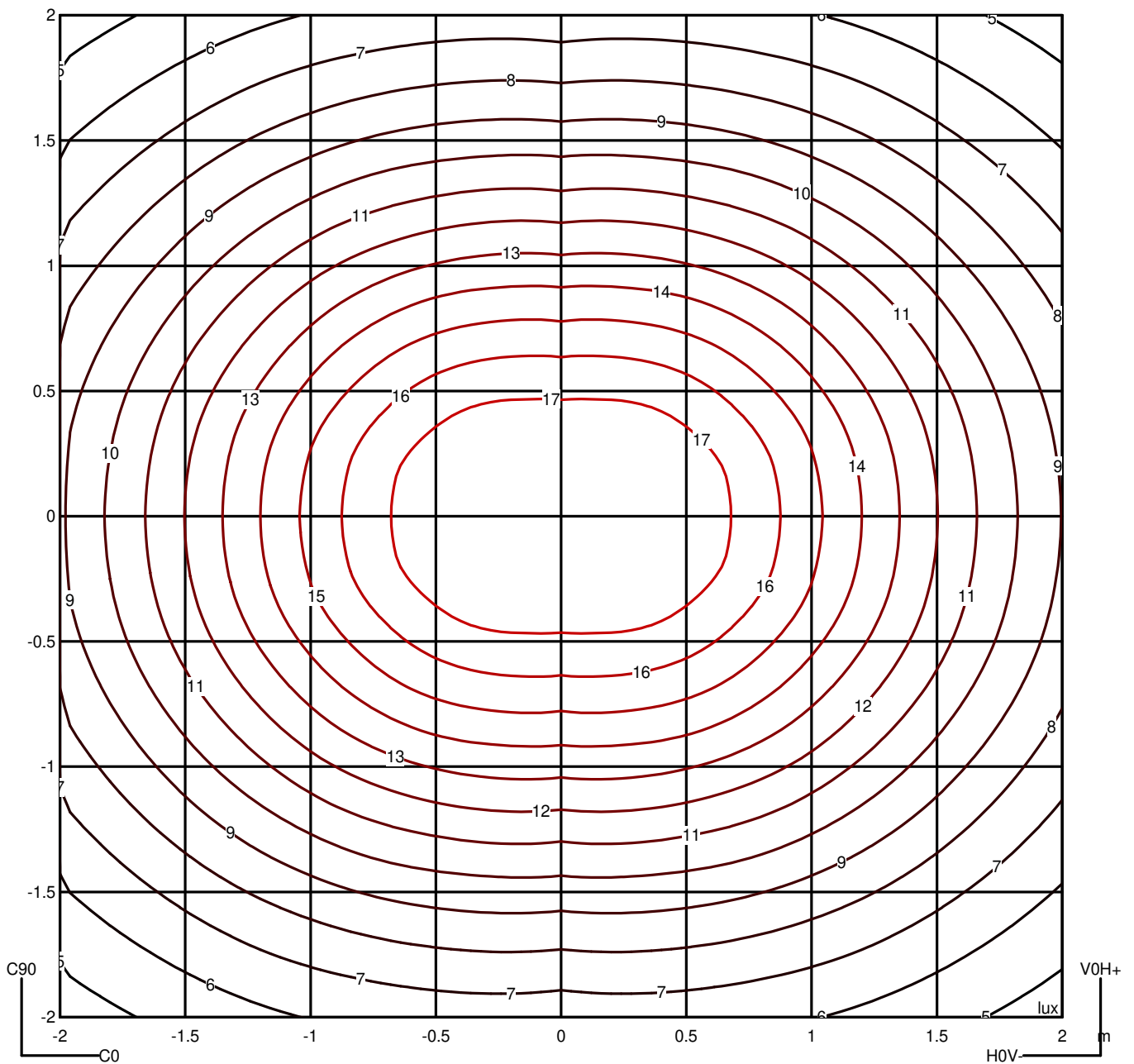
Code 05-7830-21-M1

Name TOILET

Luminaire Flux	660.76 lm	Luminaire Power	8.70 W	Efficacy	75.95 lm/W	Efficiency	100.00%
Sources Flux	660.76 lm	Maximum value	180.72 cd/klm	Position	C=0.00 G=25.00	CG	Double Symmetrical

Isolux (Floor)

Luminaire position X=0.00m Y=0.00m Z=2.50m



LEDS C4[®]

Luminaire

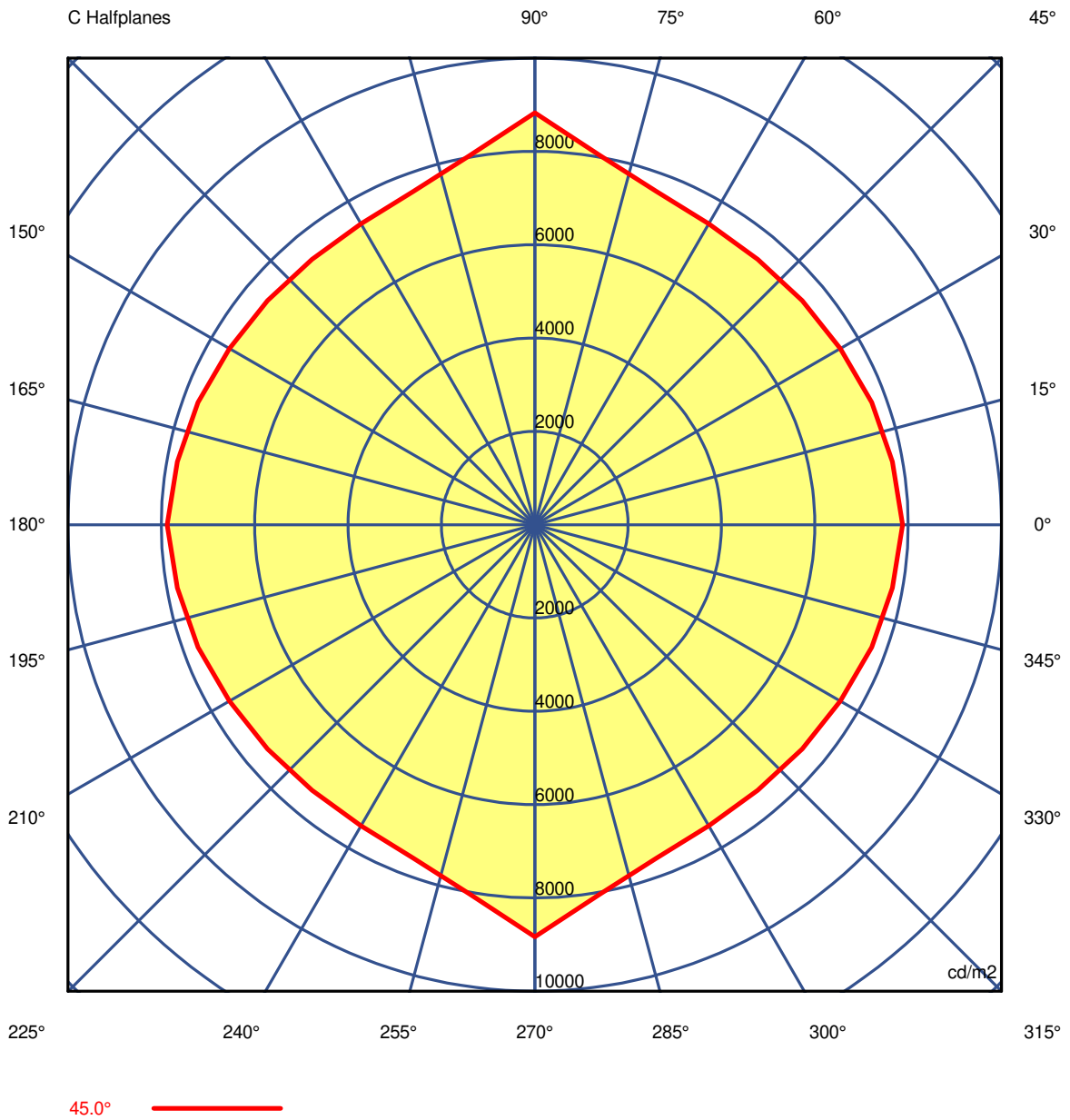
Code 05-7830-21-M1
Name TOILET

Measurem.

Code 05-7830-21-M1
Name TOILET

Luminaire Flux	660.76 lm	Luminaire Power	8.70 W	Efficacy	75.95 lm/W	Efficiency	100.00%
Sources Flux	660.76 lm	Maximum value	180.72 cd/klm	Position	C=0.00 G=25.00	CG	Double Symmetrical

Luminance



LEDS C4⁺

Luminaire

Code 05-7830-21-M1
Name TOILET

Measurement

Code 05-7830-21-M1
Name TOILET

Luminaire Flux	660.76 lm	Luminaire Power	8.70 W	Efficacy	75.95 lm/W	Efficiency	100.00%
Sources Flux	660.76 lm	Maximum value	180.72 cd/klm	Position	C=0.00 G=25.00	CG	Double Symmetrical

Luminance cd/m2 Table 1/3

	C 0.00	C 10.00	C 20.00	C 30.00	C 40.00	C 50.00	C 60.00	C 70.00	C 80.00	C 90.00	C 100.00	C 110.00	C 120.00
G 0.0	10977.67	10977.67	10977.67	10977.67	10977.67	10977.67	10977.67	10977.67	10977.67	10977.67	10977.67	10977.67	10977.67
G 5.0	10222.44	10238.46	10246.57	10255.43	10301.47	10366.87	10443.38	10544.42	10672.28	10820.93	10672.28	10544.42	10443.38
G 10.0	9699.03	9695.65	9701.20	9719.35	9782.04	9877.13	9997.53	10155.89	10373.63	10648.65	10373.63	10155.89	9997.53
G 15.0	9276.57	9252.40	9261.39	9273.32	9336.61	9442.59	9588.15	9791.65	10080.46	10454.24	10080.46	9791.65	9588.15
G 20.0	8932.27	8889.34	8888.62	8890.85	8944.92	9050.01	9204.02	9423.92	9766.10	10243.05	9766.10	9423.92	9204.02
G 25.0	8639.84	8596.66	8571.51	8557.70	8596.80	8682.05	8825.55	9073.94	9467.64	10012.19	9467.64	9073.94	8825.55
G 30.0	8392.50	8338.95	8298.02	8260.48	8277.60	8347.92	8475.92	8701.29	9116.44	9755.40	9116.44	8701.29	8475.92
G 35.0	8192.25	8119.44	8058.22	7996.11	7986.55	8021.52	8118.78	8348.42	8791.33	9479.74	8791.33	8348.42	8118.78
G 40.0	8021.06	7937.93	7858.10	7762.57	7712.90	7724.01	7799.51	7972.47	8402.67	9176.72	8402.67	7972.47	7799.51
G 45.0	7875.13	7776.53	7678.09	7556.43	7473.40	7431.41	7450.41	7605.86	8038.73	8832.19	8038.73	7605.86	7450.41
G 50.0	7760.80	7652.94	7533.38	7375.35	7253.70	7177.04	7148.21	7219.06	7603.86	8444.88	7603.86	7219.06	7148.21
G 55.0	7663.93	7534.85	7402.44	7227.53	7063.78	6913.12	6805.11	6837.39	7176.26	7943.75	7176.26	6837.39	6805.11
G 60.0	7591.40	7458.73	7308.63	7094.25	6880.22	6690.14	6527.29	6432.15	6688.71	7523.97	6688.71	6432.15	6527.29
G 65.0	7545.98	7388.97	7218.67	6984.90	6744.90	6480.89	6208.38	6036.49	6189.70	6856.11	6189.70	6036.49	6208.38
G 70.0	7531.62	7363.99	7178.20	6907.87	6605.75	6301.38	5975.42	5620.42	5603.17	6259.42	5603.17	5620.42	5975.42
G 75.0	7545.10	7362.52	7152.35	6850.22	6523.80	6156.35	5717.62	5234.66	4992.71	5232.77	4992.71	5234.66	5717.62
G 80.0	7581.64	7386.57	7160.99	6832.86	6475.25	6083.71	5579.08	4874.39	4318.66	4175.36	4318.66	4874.39	5579.08
G 85.0	7608.77	7403.27	7180.67	6857.92	6487.77	6038.86	5440.88	4623.27	3681.12	2275.78	3681.12	4623.27	5440.88
G 90.0	7688.81	7479.65	7265.48	6946.51	6560.86	6113.52	5511.28	4556.24	3293.14	701.26	3293.14	4556.24	5511.28

LEDS C4⁺

Luminaire

Code 05-7830-21-M1
Name TOILET

Measurement

Code 05-7830-21-M1
Name TOILET

Luminaire Flux	660.76 lm	Luminaire Power	8.70 W	Efficacy	75.95 lm/W	Efficiency	100.00%
Sources Flux	660.76 lm	Maximum value	180.72 cd/klm	Position	C=0.00 G=25.00	CG	Double Symmetrical

Luminance cd/m2 Table 2/3

	C 130.00	C 140.00	C 150.00	C 160.00	C 170.00	C 180.00	C 190.00	C 200.00	C 210.00	C 220.00	C 230.00	C 240.00	C 250.00
G 0.0	10977.67	10977.67	10977.67	10977.67	10977.67	10977.67	10977.67	10977.67	10977.67	10977.67	10977.67	10977.67	10977.67
G 5.0	10366.87	10301.47	10255.43	10246.57	10238.46	10222.44	10238.46	10246.57	10255.43	10301.47	10366.87	10443.38	10544.42
G 10.0	9877.13	9782.04	9719.35	9701.20	9695.65	9699.03	9695.65	9701.20	9719.35	9782.04	9877.13	9997.53	10155.89
G 15.0	9442.59	9336.61	9273.32	9261.39	9252.40	9276.57	9252.40	9261.39	9273.32	9336.61	9442.59	9588.15	9791.65
G 20.0	9050.01	8944.92	8890.85	8888.62	8889.34	8932.27	8889.34	8888.62	8890.85	8944.92	9050.01	9204.02	9423.92
G 25.0	8682.05	8596.80	8557.70	8571.51	8596.66	8639.84	8596.66	8571.51	8557.70	8596.80	8682.05	8825.55	9073.94
G 30.0	8347.92	8277.60	8260.48	8298.02	8338.95	8392.50	8338.95	8298.02	8260.48	8277.60	8347.92	8475.92	8701.29
G 35.0	8021.52	7986.55	7996.11	8058.22	8119.44	8192.25	8119.44	8058.22	7996.11	7986.55	8021.52	8118.78	8348.42
G 40.0	7724.01	7712.90	7762.57	7858.10	7937.93	8021.06	7937.93	7858.10	7762.57	7712.90	7724.01	7799.51	7972.47
G 45.0	7431.41	7473.40	7556.43	7678.09	7776.53	7875.13	7776.53	7678.09	7556.43	7473.40	7431.41	7450.41	7605.86
G 50.0	7177.04	7253.70	7375.35	7533.38	7652.94	7760.80	7652.94	7533.38	7375.35	7253.70	7177.04	7148.21	7219.06
G 55.0	6913.12	7063.78	7227.53	7402.44	7534.85	7663.93	7534.85	7402.44	7227.53	7063.78	6913.12	6805.11	6837.39
G 60.0	6690.14	6880.22	7094.25	7308.63	7458.73	7591.40	7458.73	7308.63	7094.25	6880.22	6690.14	6527.29	6432.15
G 65.0	6480.89	6744.90	6984.90	7218.67	7388.97	7545.98	7388.97	7218.67	6984.90	6744.90	6480.89	6208.38	6036.49
G 70.0	6301.38	6605.75	6907.87	7178.20	7363.99	7531.62	7363.99	7178.20	6907.87	6605.75	6301.38	5975.42	5620.42
G 75.0	6156.35	6523.80	6850.22	7152.35	7362.52	7545.10	7362.52	7152.35	6850.22	6523.80	6156.35	5717.62	5234.66
G 80.0	6083.71	6475.25	6832.86	7160.99	7386.57	7581.64	7386.57	7160.99	6832.86	6475.25	6083.71	5579.08	4874.39
G 85.0	6038.86	6487.77	6857.92	7180.67	7403.27	7608.77	7403.27	7180.67	6857.92	6487.77	6038.86	5440.88	4623.27
G 90.0	6113.52	6560.86	6946.51	7265.48	7479.65	7688.81	7479.65	7265.48	6946.51	6560.86	6113.52	5511.28	4556.24

LEDS C4[®]

Luminaire

Code 05-7830-21-M1

Name TOILET

Measur.

Code 05-7830-21-M1

Name TOILET

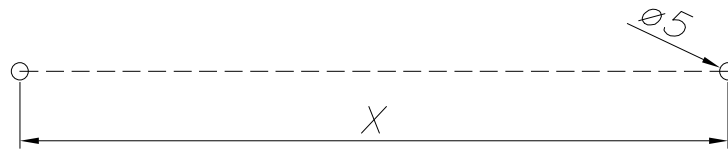
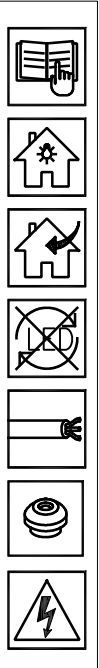
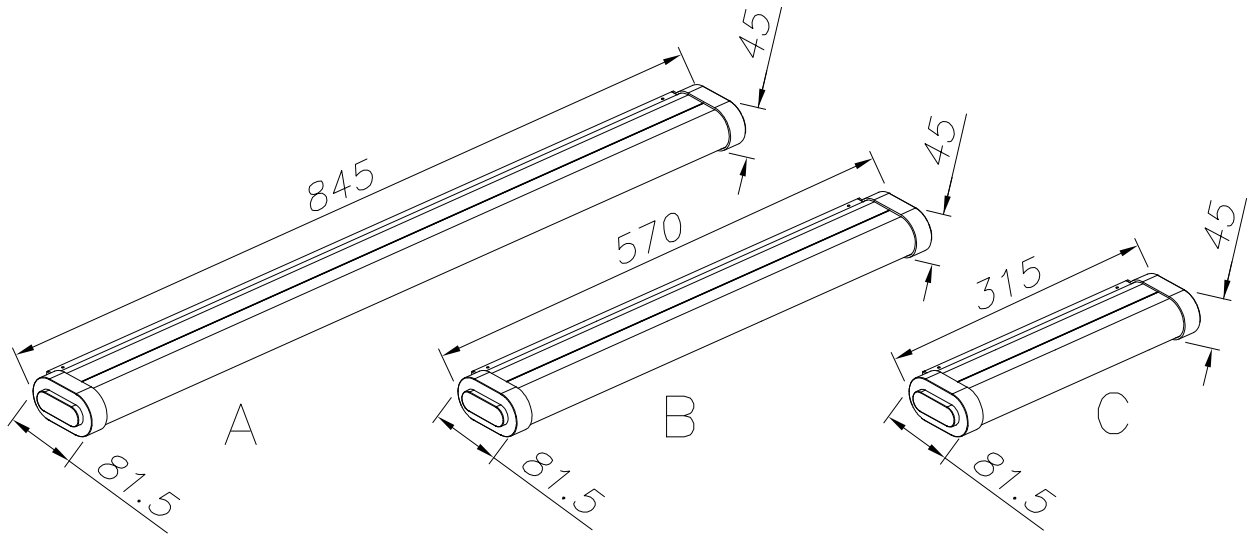
Luminaire Flux	660.76 lm	Luminaire Power	8.70 W	Efficacy	75.95 lm/W	Efficiency	100.00%
Sources Flux	660.76 lm	Maximum value	180.72 cd/klm	Position	C=0.00 G=25.00	CG	Double Symmetrical

Luminance cd/m2 Table 3/3

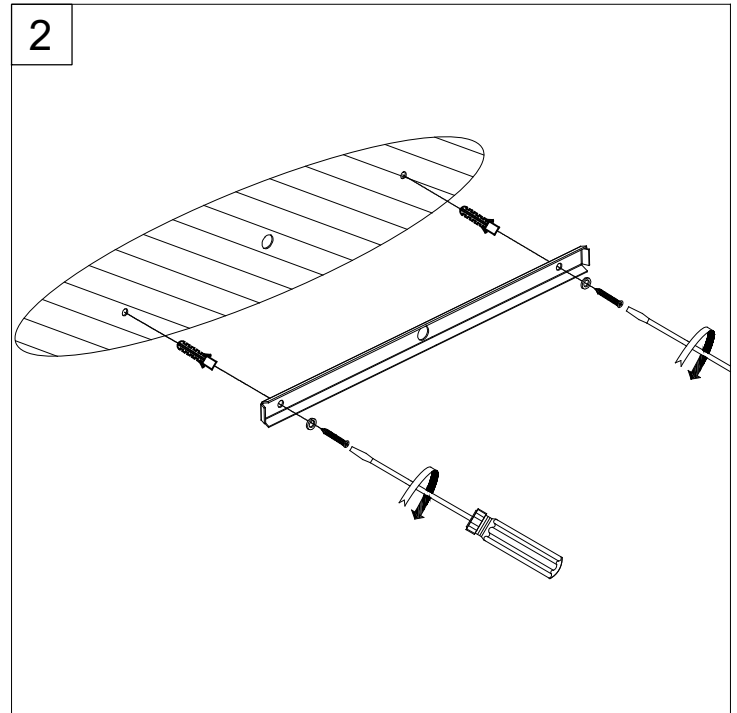
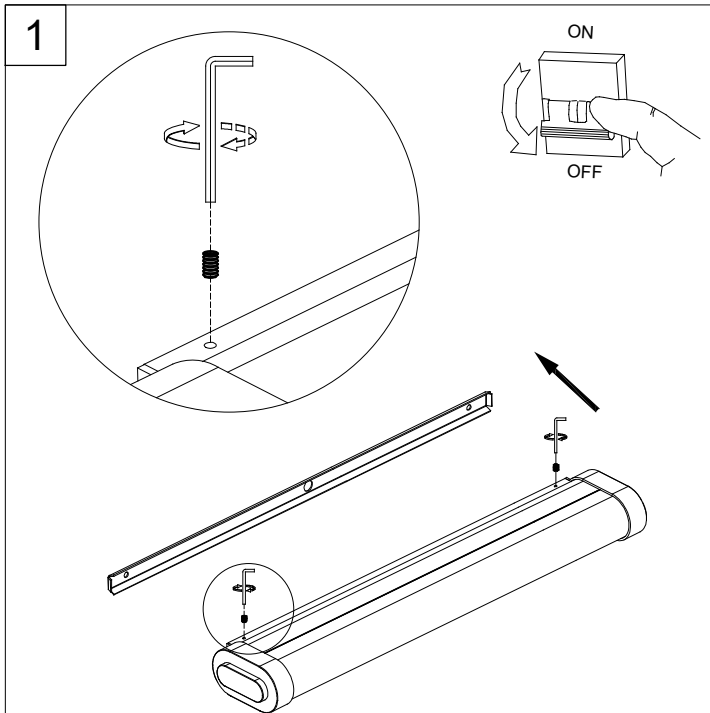
	C 260.00	C 270.00	C 280.00	C 290.00	C 300.00	C 310.00	C 320.00	C 330.00	C 340.00	C 350.00
G 0.0	10977.67	10977.67	10977.67	10977.67	10977.67	10977.67	10977.67	10977.67	10977.67	10977.67
G 5.0	10672.28	10820.93	10672.28	10544.42	10443.38	10366.87	10301.47	10255.43	10246.57	10238.46
G 10.0	10373.63	10648.65	10373.63	10155.89	9997.53	9877.13	9782.04	9719.35	9701.20	9695.65
G 15.0	10080.46	10454.24	10080.46	9791.65	9588.15	9442.59	9336.61	9273.32	9261.39	9252.40
G 20.0	9766.10	10243.05	9766.10	9423.92	9204.02	9050.01	8944.92	8890.85	8888.62	8889.34
G 25.0	9467.64	10012.19	9467.64	9073.94	8825.55	8682.05	8596.80	8557.70	8571.51	8596.66
G 30.0	9116.44	9755.40	9116.44	8701.29	8475.92	8347.92	8277.60	8260.48	8298.02	8338.95
G 35.0	8791.33	9479.74	8791.33	8348.42	8118.78	8021.52	7986.55	7996.11	8058.22	8119.44
G 40.0	8402.67	9176.72	8402.67	7972.47	7799.51	7724.01	7712.90	7762.57	7858.10	7937.93
G 45.0	8038.73	8832.19	8038.73	7605.86	7450.41	7431.41	7473.40	7556.43	7678.09	7776.53
G 50.0	7603.86	8444.88	7603.86	7219.06	7148.21	7177.04	7253.70	7375.35	7533.38	7652.94
G 55.0	7176.26	7943.75	7176.26	6837.39	6805.11	6913.12	7063.78	7227.53	7402.44	7534.85
G 60.0	6688.71	7523.97	6688.71	6432.15	6527.29	6690.14	6880.22	7094.25	7308.63	7458.73
G 65.0	6189.70	6856.11	6189.70	6036.49	6208.38	6480.89	6744.90	6984.90	7218.67	7388.97
G 70.0	5603.17	6259.42	5603.17	5620.42	5975.42	6301.38	6605.75	6907.87	7178.20	7363.99
G 75.0	4992.71	5232.77	4992.71	5234.66	5717.62	6156.35	6523.80	6850.22	7152.35	7362.52
G 80.0	4318.66	4175.36	4318.66	4874.39	5579.08	6083.71	6475.25	6832.86	7160.99	7386.57
G 85.0	3681.12	2275.78	3681.12	4623.27	5440.88	6038.86	6487.77	6857.92	7180.67	7403.27
G 90.0	3293.14	701.26	3293.14	4556.24	5511.28	6113.52	6560.86	6946.51	7265.48	7479.65

LEDS C4[®]

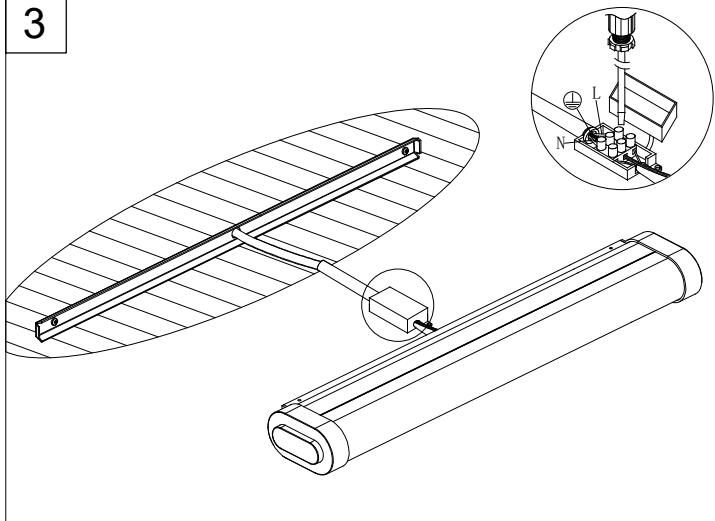
TOI LED / 05-7830;7832;7834



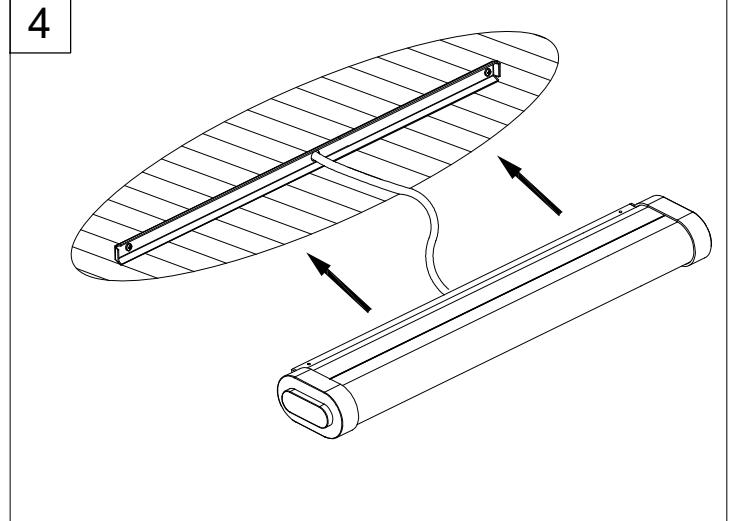
	A	B	C
X	744	470	215



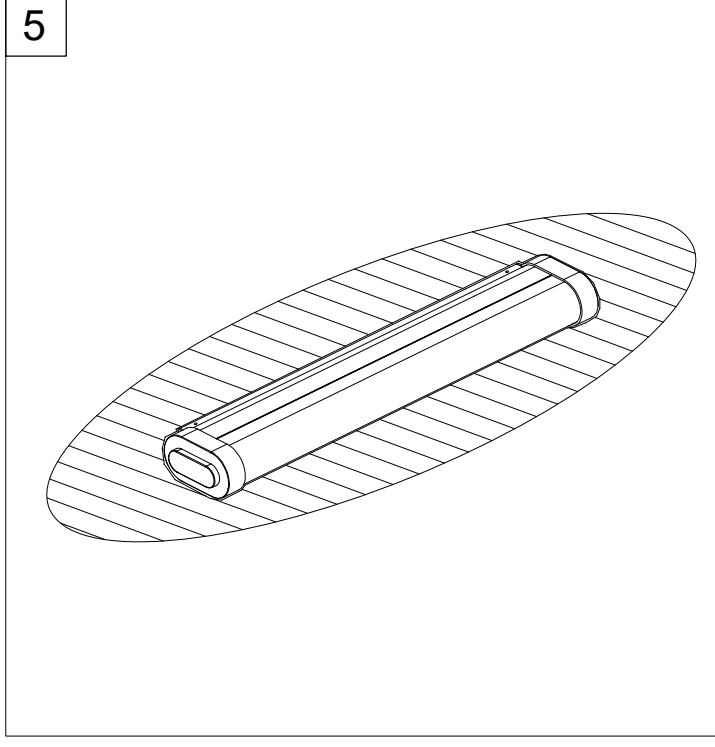
3



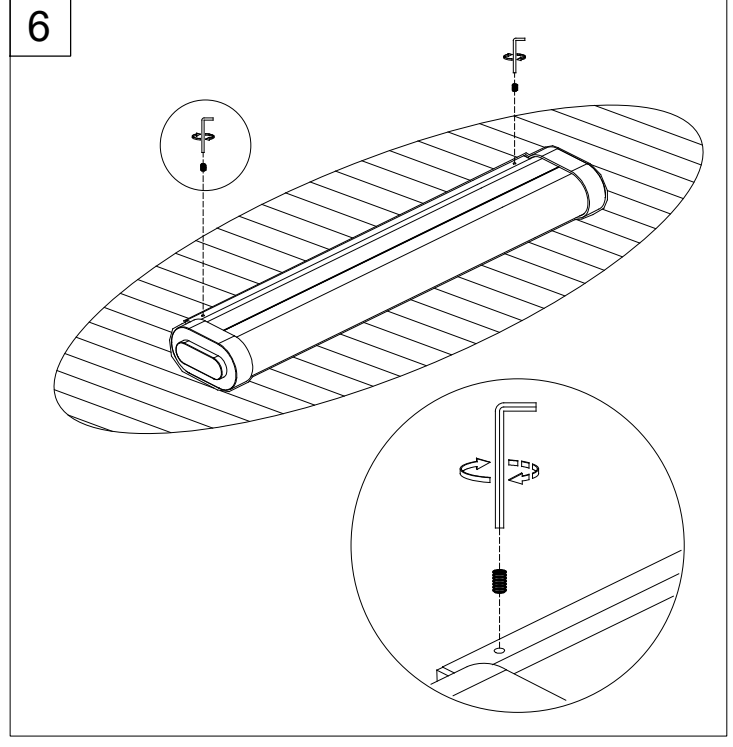
4



5



6



7

