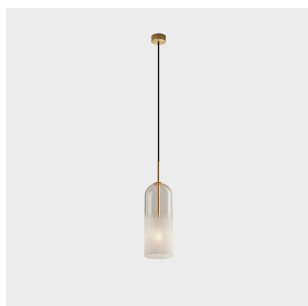


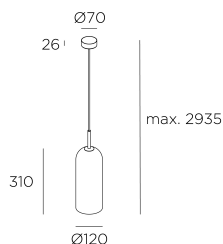
Glam 310mm Pendant

Designer: Josep Patsi

**Description**

Pendant Glam 310mm E14 23W Matte gold

	Finish	Material
Structure	Matte gold	Steel
Diffuser	White	Glass

**TECHNICAL CHARACTERISTICS****Light source**

Lampholder: 1 x E14
 Light source power (W): MAX 23W
 Luminaire total power (W): 23W
 Quantity: 1
 Recommended lamp: E14

GEAR

Voltage / Frequency:
 100-240V/50-60Hz

Luminaire

Recessed in-ground suitable for
 pedestrian crossing: No
 Warranty: 5 Years

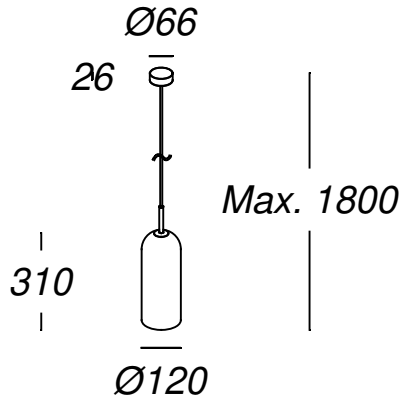
Logistics

Energy Efficiency: NO BULB
 EAN Code: 8435575346994
 Net Weight (Kg): 0.95
 Weight in Kg (packaged): 1.68
 Packing: - x - x -
 Masterbox: 1

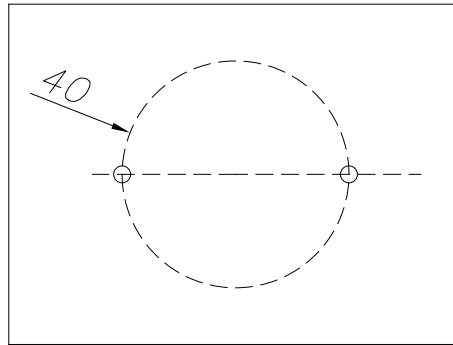
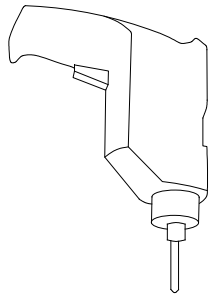
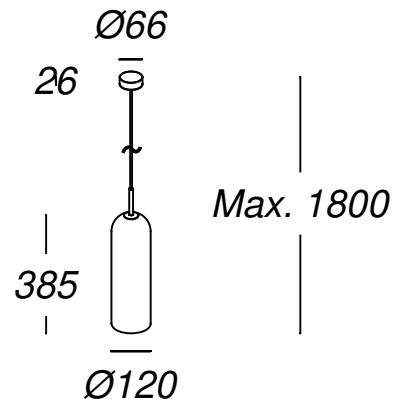
The photograph may not match the reference exactly. Please read the product description to identify the finish.



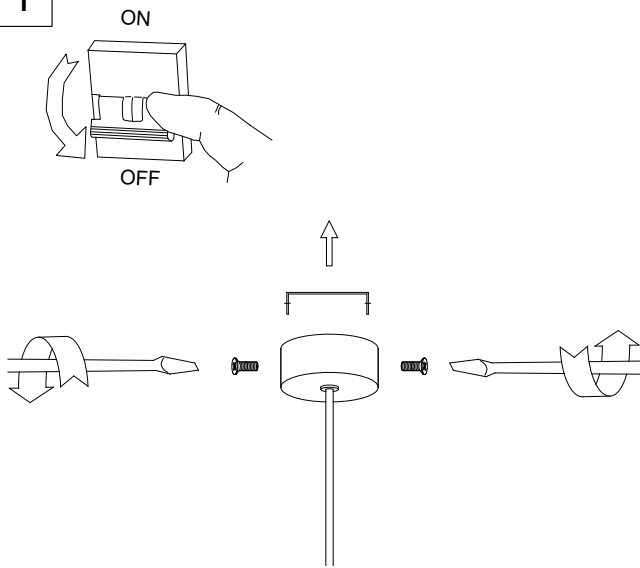
00-8107



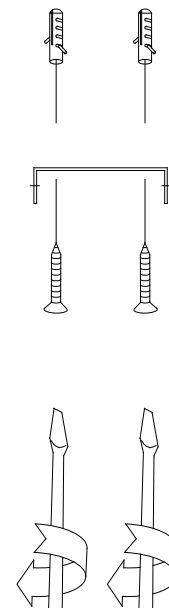
00-8108



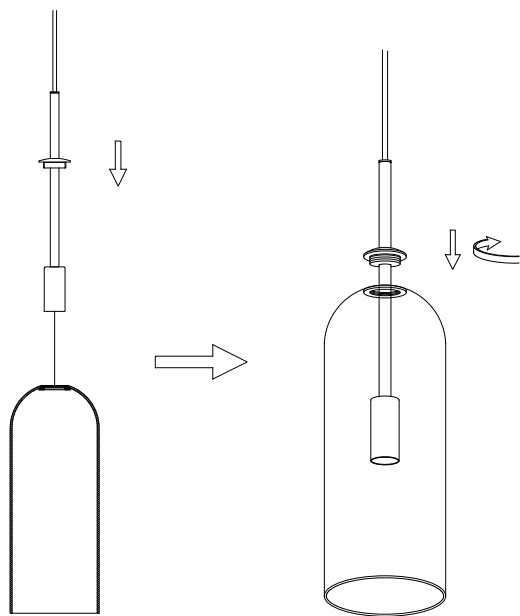
1



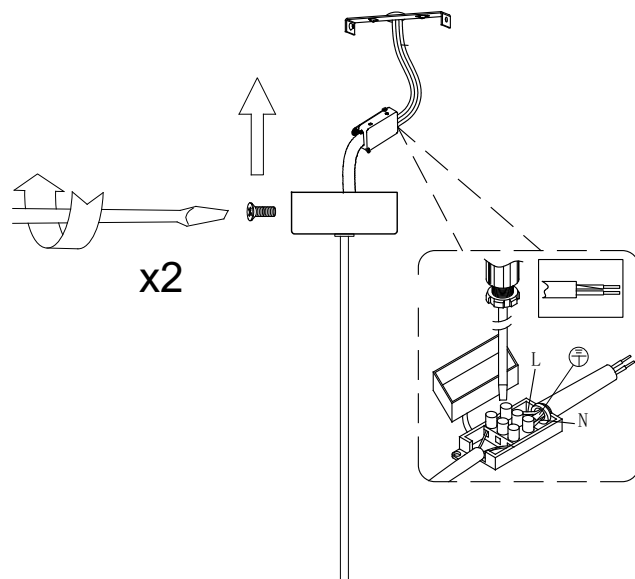
2



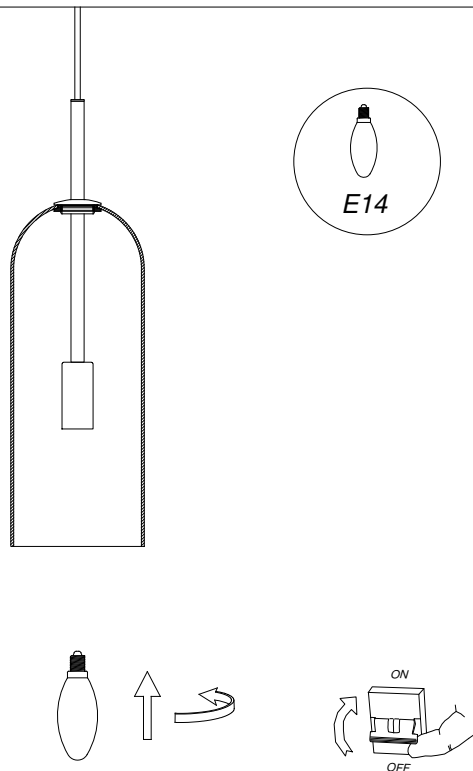
3



4



5



6

