



Attic 2 bodies Rectangular Shape 2200mm

00-8366-05-14

Nahtrang Design

Pendant Attic 2 bodies Rectangular Shape 2200mm E27 23W Metallic black

TECHNICAL FEATURES



IP20



Power (W) : Max. power 23W

Voltage / frequency : 100-240V/50-60Hz

Total power consumption of light (W) : 46W

Warranty : 5 Years

Structure material : Aluminium

Max. temperature : 25°C

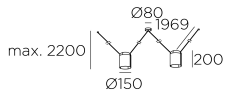
Structure finish : Metallic black

Energy efficiency : Light bulb not included

Recommended light bulb : E27

Smart Compatible

- 71-8219-00-00: LightForLife



LUMINOTECHNIC FEATURES

Lampholder: 2 x E27

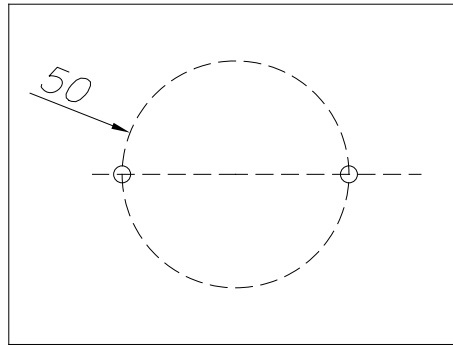
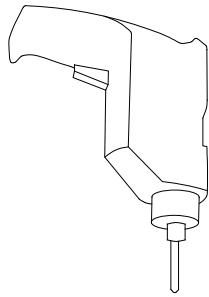
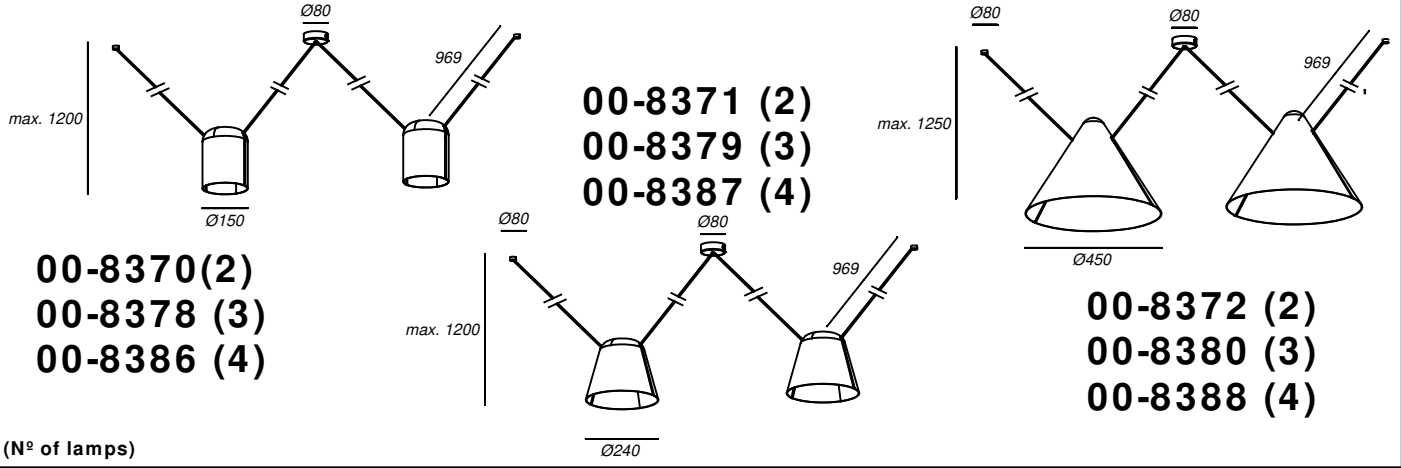
LOGISTICS

Net weight (kg): 1.78

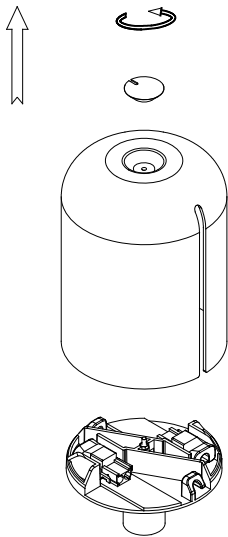
Packaged weight (kg): 2.53



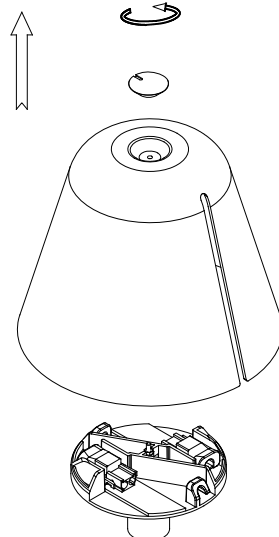
1 Un



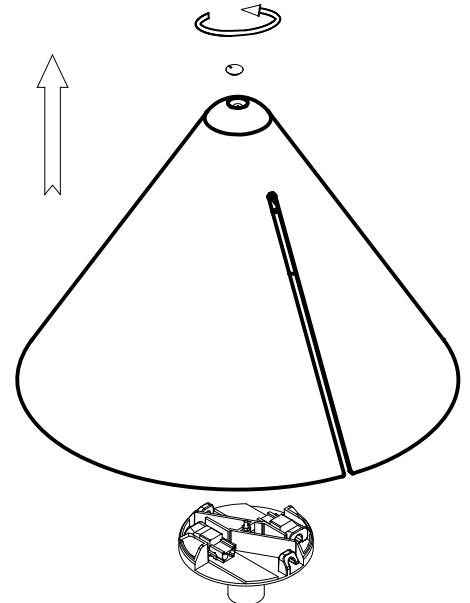
71-7388



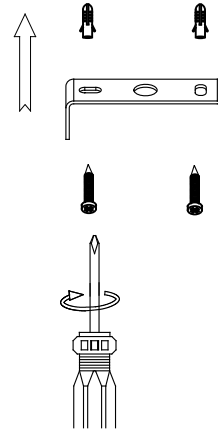
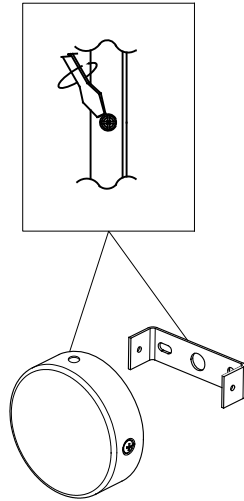
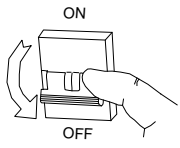
71-7389



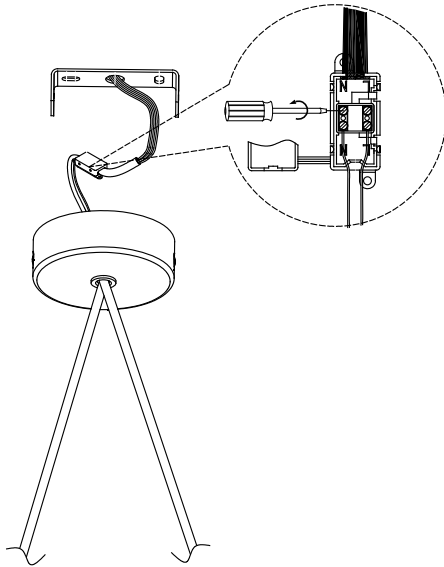
71-8364



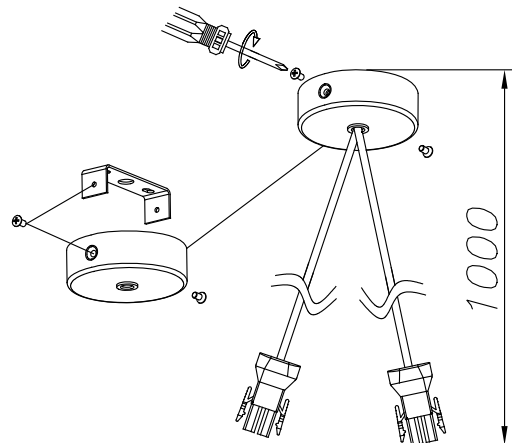
1



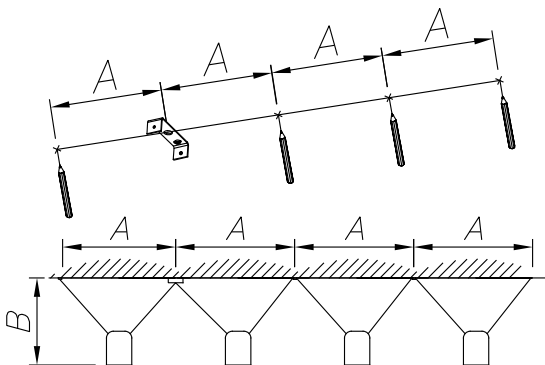
2



3



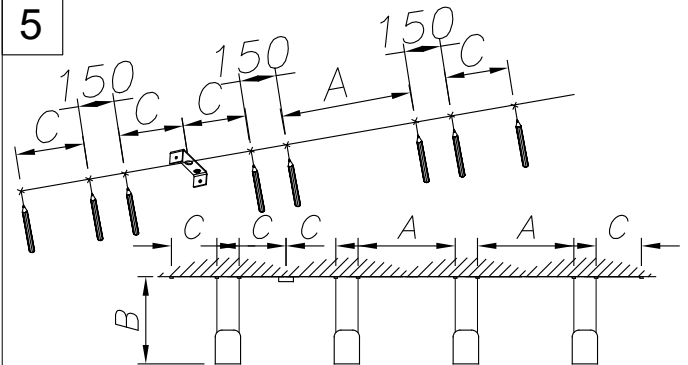
4



A	500mm	1000mm	1500mm
B	1140mm	1040mm	830mm
B*	1190mm	1090mm	880mm

* 00-8372, 8380, 8388

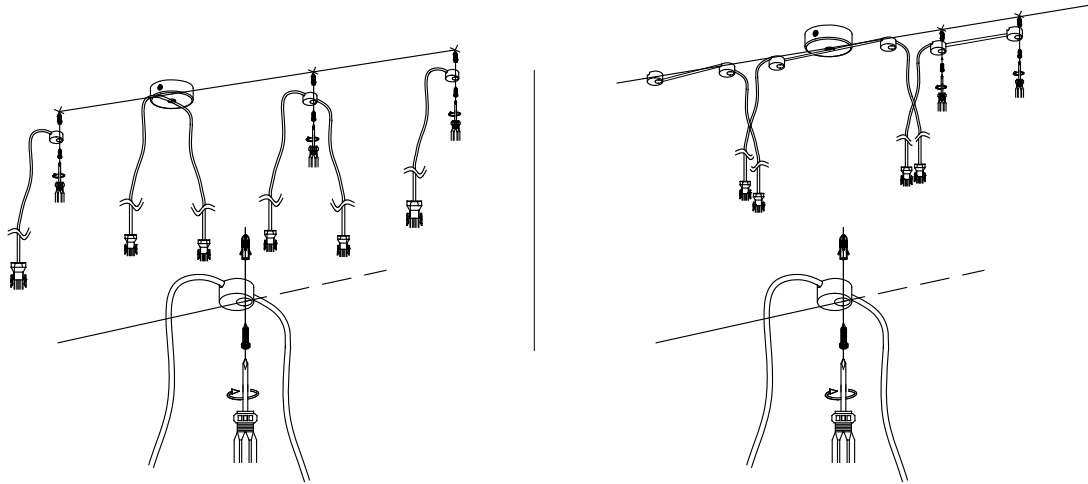
5



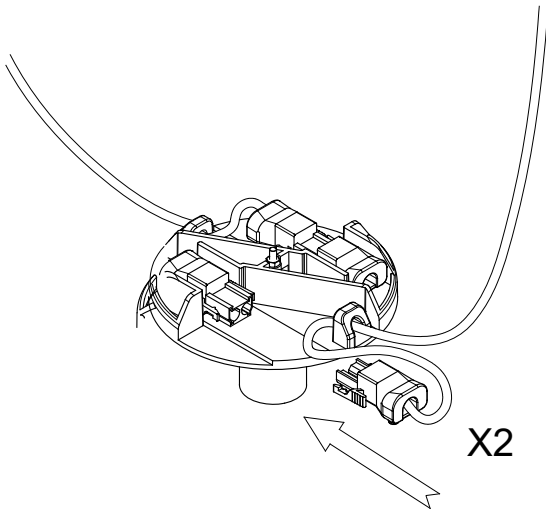
A	500mm	1000mm	1500mm
B	930mm	680mm	430mm
B*	980mm	730mm	480mm
C	250mm	500mm	750mm

* 00-8372, 8380, 8388

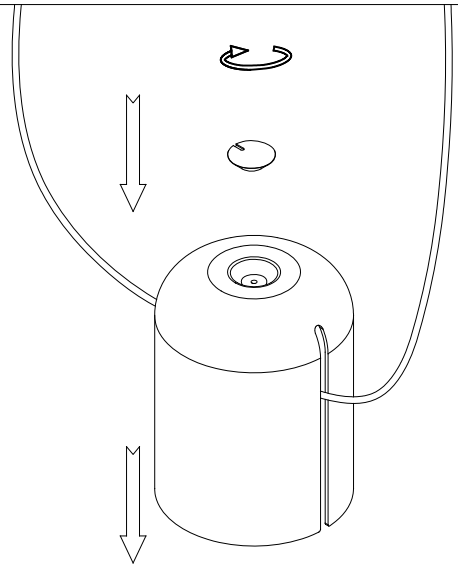
6



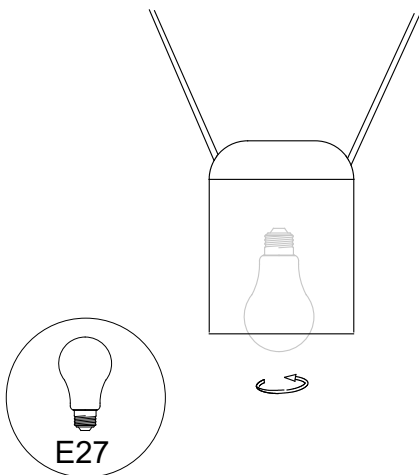
7



8



9



10

