



## Attic 2 bodies Rectangular Shape 2200mm

00-8366-05-DL

Leds C4 Team

Pendant Attic 2 bodies Rectangular Shape 2200mm E27 23W Metallic black

### TECHNICAL FEATURES



IP20



Power (W) : Max. power 23W

Voltage / frequency : 100-240V/50-60Hz

Total power consumption of light (W) : 46W

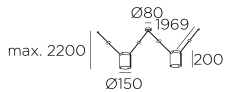
Warranty : 5 Years

Structure material : Aluminium

Max. temperature : 25°C

Structure finish : Metallic black

Recommended light bulb : E27



### LUMINOTECHNIC FEATURES

Lampholder: 2 x E27

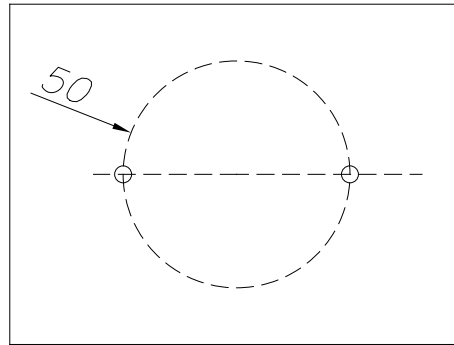
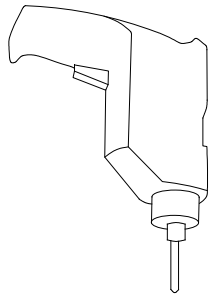
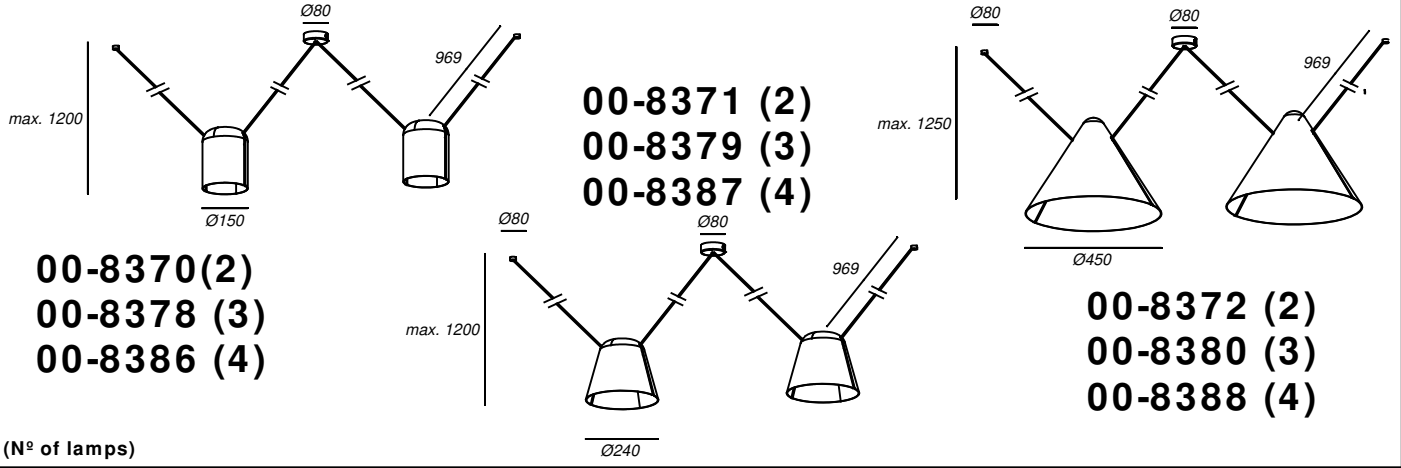
### LOGISTICS

Net weight (kg): 1.78

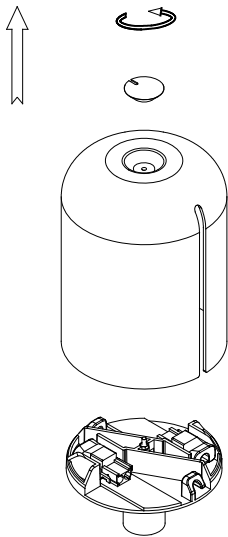
Packaged weight (kg): 2.53



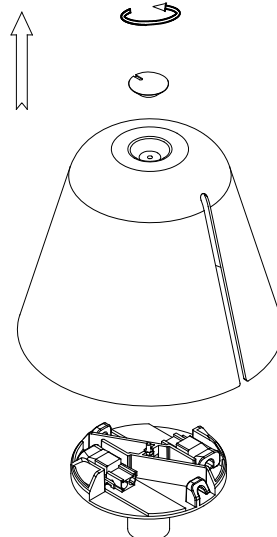
1 Un



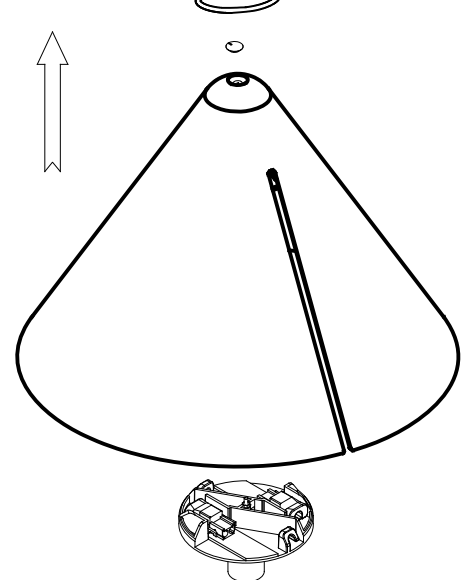
71-7388



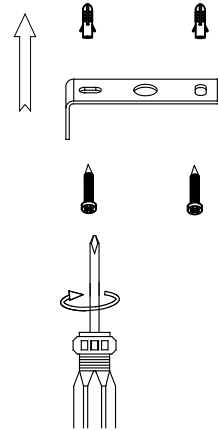
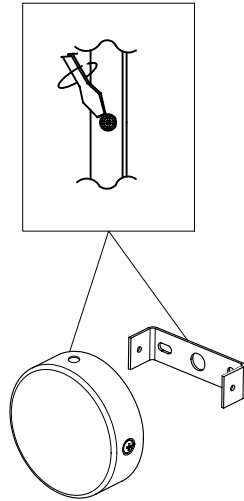
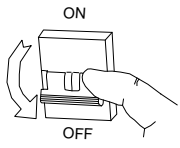
71-7389



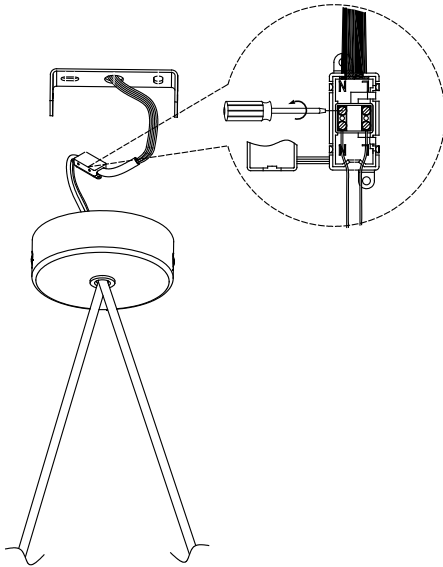
71-8364



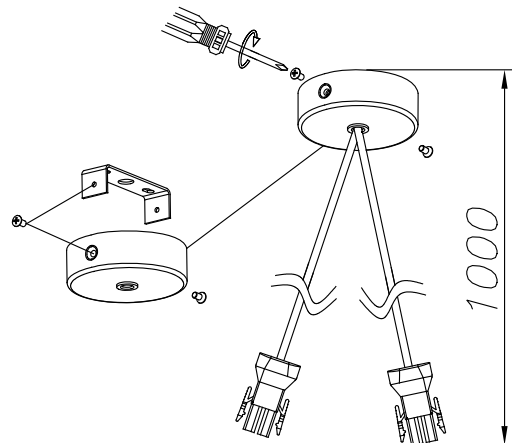
1



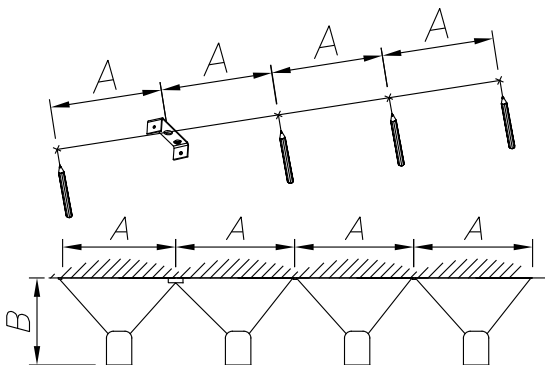
2



3



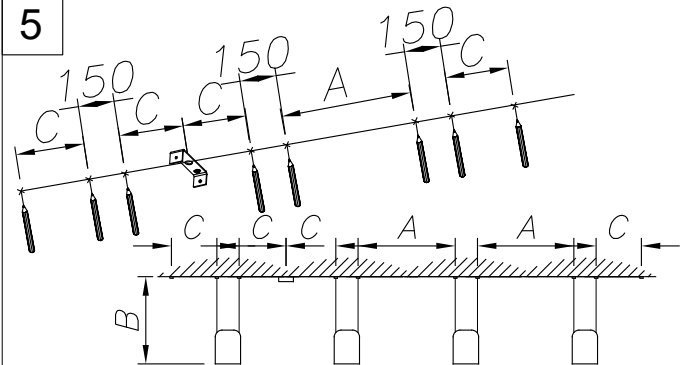
4



<b>A</b>	500mm	1000mm	1500mm
<b>B</b>	1140mm	1040mm	830mm
<b>B*</b>	1190mm	1090mm	880mm

\* 00-8372, 8380, 8388

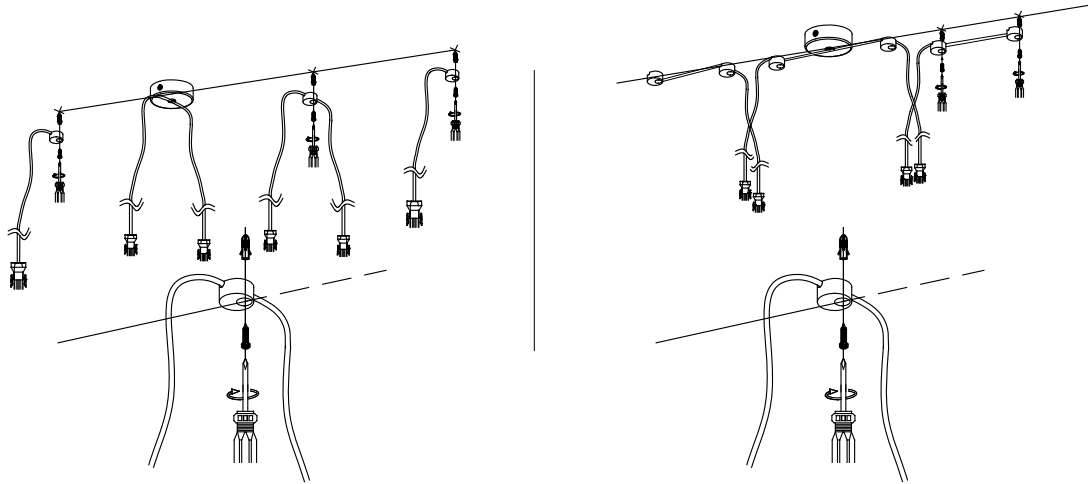
5



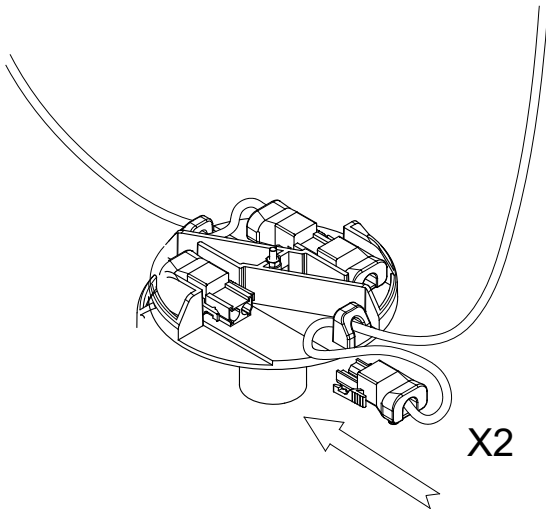
<b>A</b>	500mm	1000mm	1500mm
<b>B</b>	930mm	680mm	430mm
<b>B*</b>	980mm	730mm	480mm
<b>C</b>	250mm	500mm	750mm

\* 00-8372, 8380, 8388

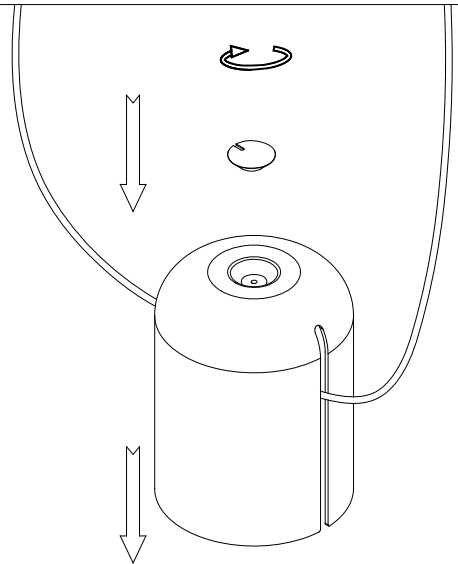
6



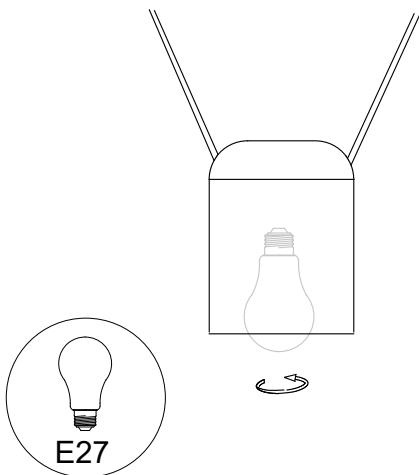
7



8



9



10

