

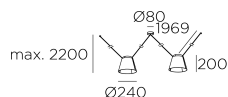


## Attic 2 bodies Conic Shape 2200mm

Nahtrang Design

00-8367-05-14

Pendant Attic 2 bodies Conic Shape 2200mm E27 23W Metallic black



### TECHNICAL FEATURES

IP20



**Power (W)** : Max. power 23W

**Total power consumption of light (W)** : 46W

**Structure material** : Aluminium

**Structure finish** : Metallic black

**Recommended light bulb** : E27

**Smart Compatible**

- 71-8219-00-00: LightForLife

**Voltage / frequency** : 100-240V/50-60Hz

**Warranty** : 5 Years

**Max. temperature** : 25°C

**Energy efficiency** : Light bulb not included

### LUMINOTECHNIC FEATURES

Lampholder: 2 x E27

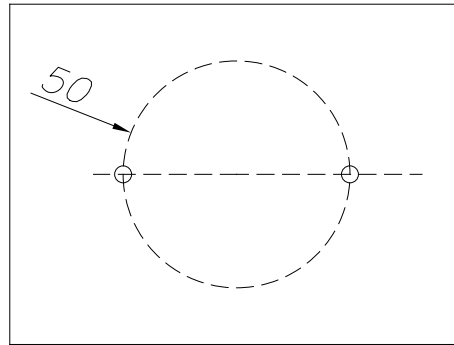
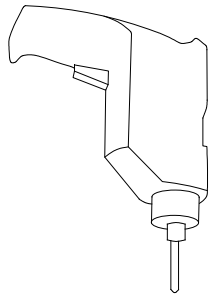
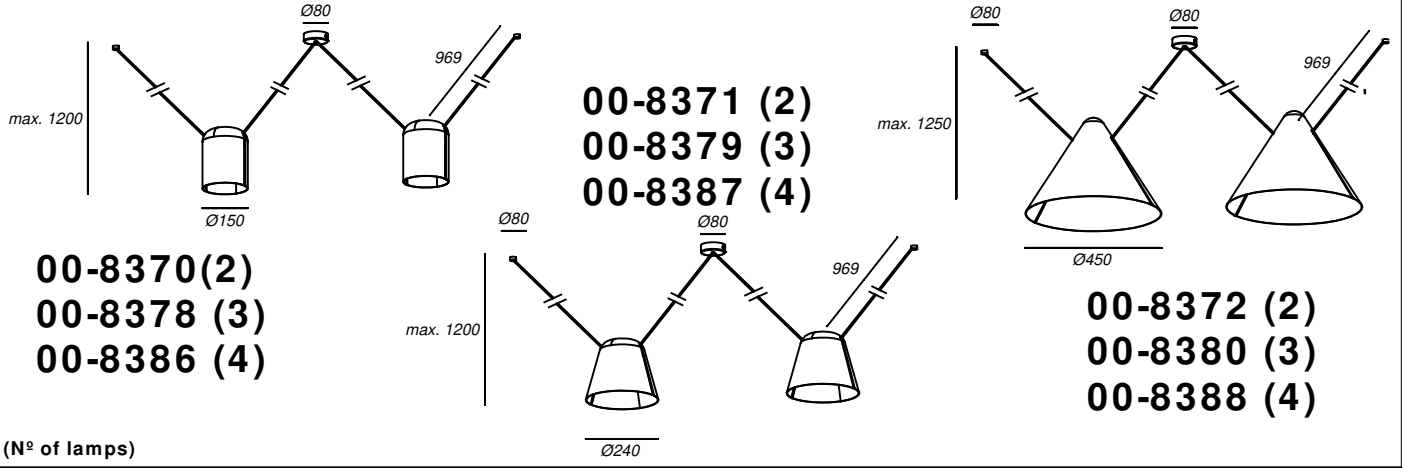
### LOGISTICS

Net weight (kg): 2

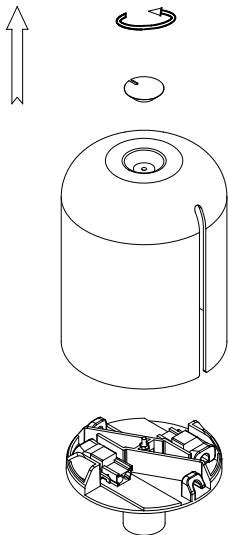
Packaged weight (kg): 3



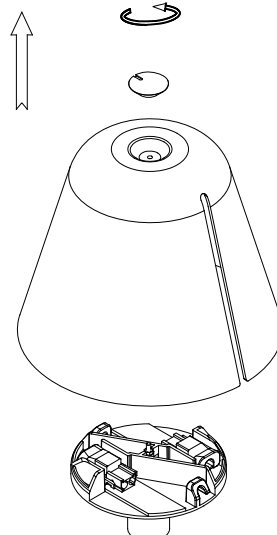
1 Un



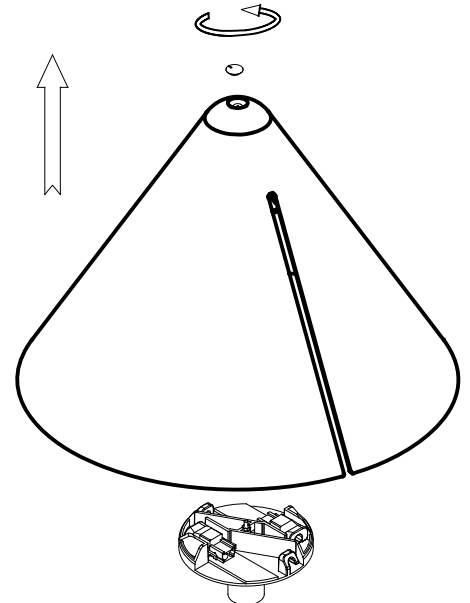
71-7388



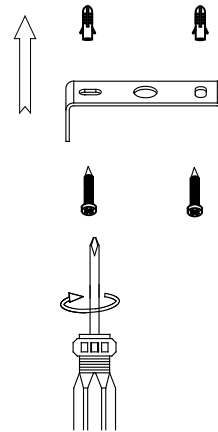
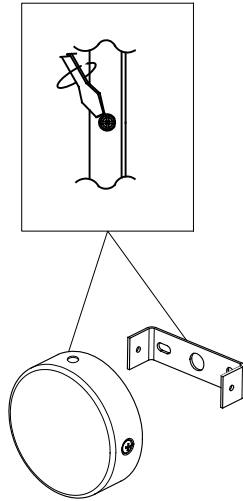
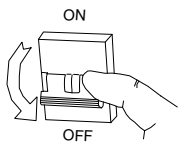
71-7389



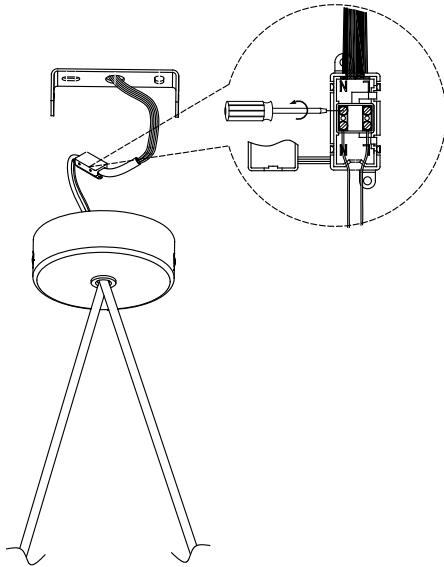
71-8364



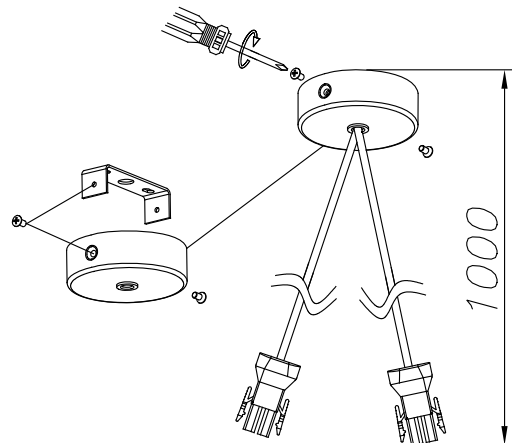
1



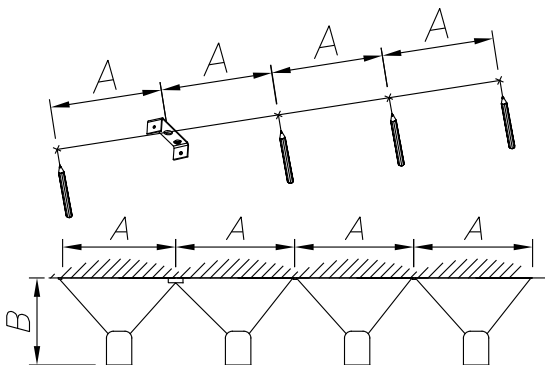
2



3



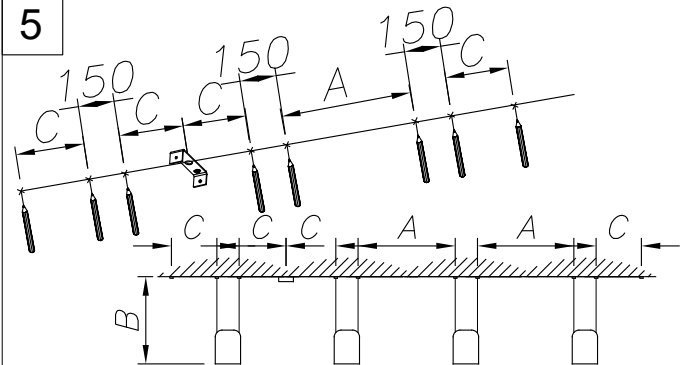
4



<b>A</b>	500mm	1000mm	1500mm
<b>B</b>	1140mm	1040mm	830mm
<b>B*</b>	1190mm	1090mm	880mm

\* 00-8372, 8380, 8388

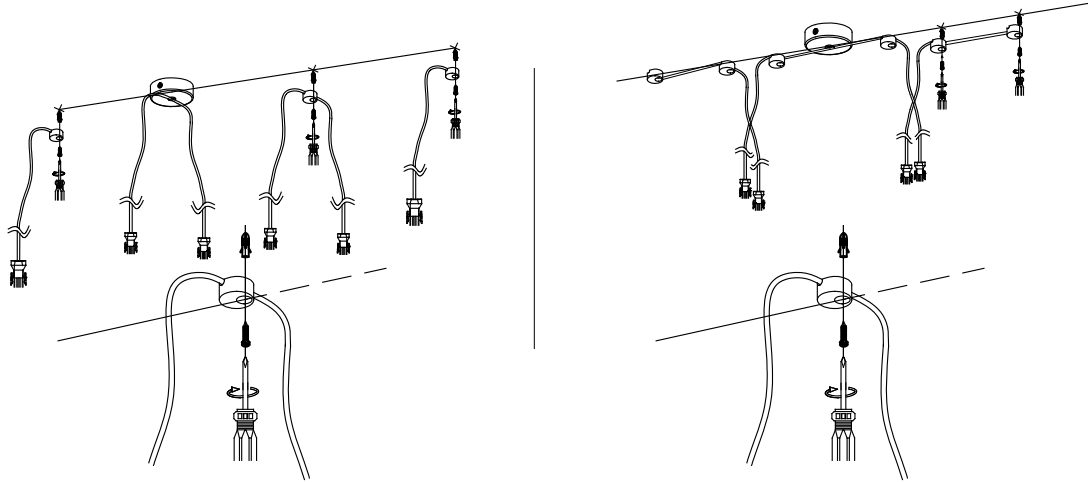
5



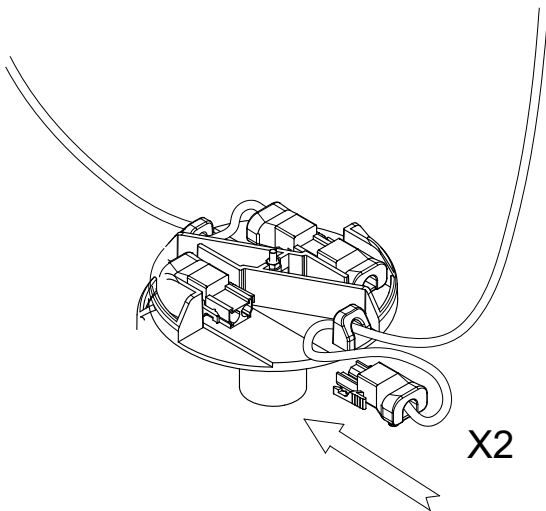
<b>A</b>	500mm	1000mm	1500mm
<b>B</b>	930mm	680mm	430mm
<b>B*</b>	980mm	730mm	480mm
<b>C</b>	250mm	500mm	750mm

\* 00-8372, 8380, 8388

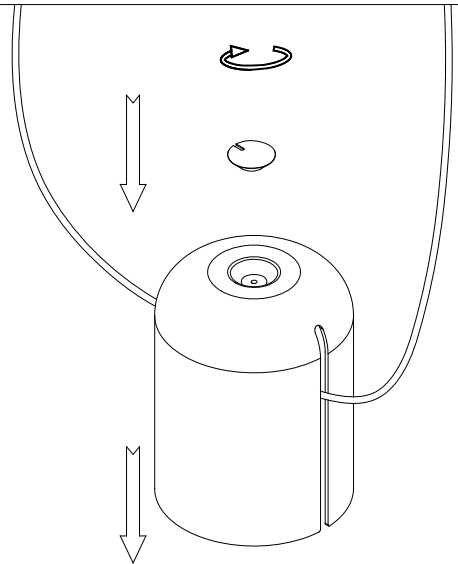
6



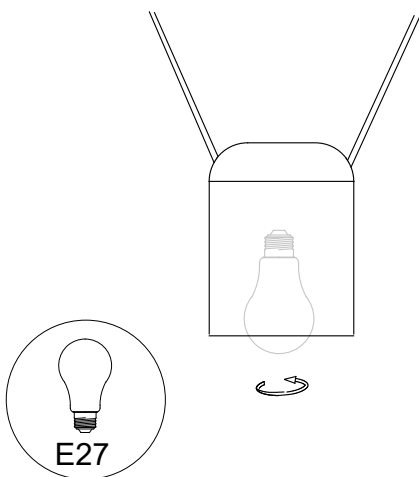
7



8



9



10

