

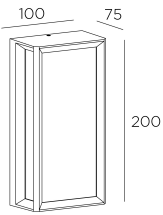


Skat Mini

Leds C4 Team

05-E028-14-EH

Wall fixture IP65 Skat Mini LED 9W 2700K White 602lm



TECHNICAL FEATURES

IP65 IK10



Power (W)-1 : 9W

Total power consumption of light (W) : 10W

Real lumens : 602

Real lm/W : 60

Colour temperature-1 : LED warm-white 2700K

Colour temperature-2 : LED neutral-white 4000K

Lens / reflector angle : MEDIUM 24°

Structure material : Aluminium

Structure finish : White

Diffuser material : Polycarbonate

Diffuser finish : White

Useful life : 50.000h L80B20

Equipment included : Yes, electronic

Voltage / frequency : 100-240V/50-60Hz

Warranty : 5 Years

Max. temperature : 25°C

Seaside : Yes

LUMINOTECHNIC FEATURES

Light source: LED OSRAM

CRI: 80

MacAdam steps: 3

Photobiological risk: RG1

Light source: LED OSRAM

CRI: 80

MacAdam steps: 3

Photobiological risk: RG1

LOGISTICS

Net weight (kg): 0.7

Packaged weight (kg): 0.8

Packaging: 85mm x 110mm x 210mm



LEDS C4[®]

Luminaria

Código 05-E028-Z5-EH_2700K

Nombre SKAT

Ensayo

Código 05-E028-Z5-EH_2700K

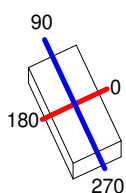
Nombre SKAT

Flujo Luminaria	539.46 lm	Potencia Luminaria	10.00 W	Eficacia	53.95 lm/W	Eficiencia	100.00%
Flujo Fuentes de luz	539.46 lm	Valor Máximo	317.22 cd/klm	Posición	C=0.00 G=1.00	CG	Bisimétrico
Luminaria Rectangular		Longit.	200 mm	Anchura	100 mm	Altura	75 mm
Área Luminosa Rectangular		Longit.	180 mm	Anchura	75 mm	Altura	26 mm
Área Luminosa Horizontal			0.013500 m2	Área Emisión sobre Pl. 180°			0.004680 m2
Área Emisión sobre Pl. 0°			0.004680 m2	Área Emisión sobre Pl. 270°			0.001950 m2
Área Emisión sobre Pl. 90°			0.001950 m2	Área de deslumbramiento a 76°			0.007807 m2
Sist. de Coorden.		CG		Tipo de Simetría		Bisimétrico	
Fecha		11-11-2020		Máximo Ángulo Gamma		90	
Distancia de Ensayo		0.00		Flujo de Ensayo		539.46 lm	
Operador		qualitat		Tensión Nominal			
Temperatura		25.00 °C		Corriente Nominal			
Humedad		60.00 %		Fotocélula			
Notas							

Fuentes de luz de la Luminaria

Familia	Código	Nombre	Flujo [lm]	Pot. [W]	Cant.
	05-E028-Z5-EH_2700K	05-E028-Z5-EH	539.46	10.00	1
C.I.E.	42 73 91				
F UTE	1.00 G				
		D DIN 5040	A30		
		B NBN	BZ 5		

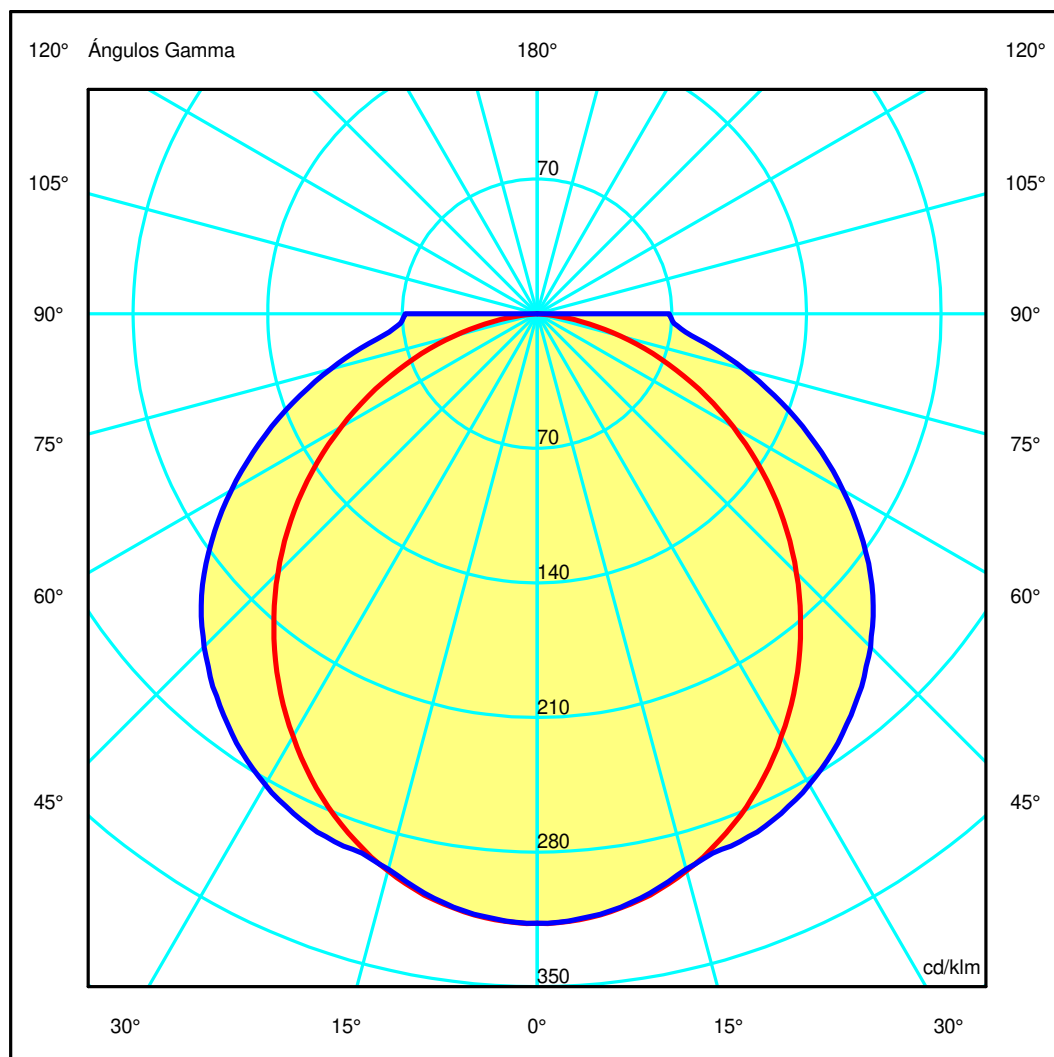
200mm x 100mm



Semiplanos C

180.0 — 0.0
270.0 — 90.0

ULOR 0.00 %
DLOR 100.00 %
RN 0.00 %



Luminaria

Código 05-E028-Z5-EH_2700K

Nombre SKAT

Ensayo

Código 05-E028-Z5-EH_2700K

Nombre SKAT

Flujo Luminaria	539.46 lm	Potencia Luminaria	10.00 W	Eficacia	53.95 lm/W	Eficiencia	100.00%
Flujo Fuentes de luz	539.46 lm	Valor Máximo	317.22 cd/klm	Posición	C=0.00 G=1.00	CG	Bisimétrico

Tabla de Intensidad Luminosa cd/klm

Tabla 1/2

	C 0.00	C 15.00	C 30.00	C 45.00	C 60.00	C 75.00	C 90.00
G 0.0	316.90	316.90	316.90	316.90	316.90	316.90	316.90
G 1.0	317.22	316.85	316.86	317.01	317.05	317.04	317.05
G 2.0	316.77	316.43	316.63	316.89	316.82	316.98	316.61
G 3.0	316.41	316.17	316.34	316.33	316.46	316.67	316.17
G 4.0	315.95	315.60	315.58	315.90	315.87	315.84	315.43
G 5.0	315.15	314.90	315.04	315.01	315.12	315.04	314.69
G 6.0	314.30	314.10	314.19	314.07	313.94	314.15	314.07
G 7.0	313.29	313.09	313.00	313.36	313.04	312.98	312.72
G 8.0	312.05	311.93	311.90	311.95	311.76	311.85	311.73
G 9.0	310.85	310.78	310.47	310.58	310.41	310.52	310.09
G 10.0	309.28	309.04	309.06	309.23	309.01	308.79	308.64
G 11.0	307.93	307.56	307.48	307.40	307.25	307.28	306.86
G 12.0	306.03	305.74	305.81	305.58	305.44	305.25	304.96
G 13.0	304.17	303.80	303.64	303.83	303.46	303.39	303.04
G 14.0	302.20	301.84	301.81	301.63	301.29	301.20	300.92
G 15.0	299.93	299.62	299.54	299.27	299.15	299.03	299.00
G 16.0	297.76	297.36	297.23	297.16	296.77	297.11	297.73
G 17.0	295.35	295.00	294.74	294.53	294.42	295.83	296.33
G 18.0	292.58	292.43	292.21	291.84	292.66	294.18	294.97
G 19.0	290.00	289.86	289.44	289.30	290.84	293.38	294.62
G 20.0	287.28	287.15	286.74	286.28	289.11	293.15	294.52
G 21.0	284.43	284.15	283.77	283.75	287.44	292.75	294.08
G 22.0	281.54	281.06	280.78	281.52	286.77	292.05	293.23
G 23.0	278.44	278.01	277.61	279.01	285.91	291.20	292.69
G 24.0	275.17	274.82	274.54	276.49	284.73	290.13	291.63
G 25.0	271.96	271.45	271.04	274.48	283.30	288.80	290.39
G 26.0	268.34	268.16	267.64	272.85	281.93	287.70	289.19
G 27.0	264.91	264.50	264.21	271.31	280.47	286.12	287.62
G 28.0	261.32	260.89	260.48	269.56	278.91	284.48	286.29
G 29.0	257.71	257.38	257.32	267.45	276.89	282.95	284.66
G 30.0	253.75	253.53	254.02	265.24	275.03	281.05	282.72
G 31.0	250.20	249.88	250.84	263.25	272.92	278.85	280.89
G 32.0	246.18	245.97	247.28	260.63	270.61	277.05	279.02
G 33.0	242.48	241.90	244.23	258.28	268.33	274.86	276.93
G 34.0	238.36	237.99	241.38	255.64	265.98	272.52	274.76
G 35.0	234.35	233.89	238.58	252.92	263.29	270.26	272.43
G 36.0	230.24	229.74	235.72	250.17	260.83	267.78	270.02
G 37.0	225.99	225.58	232.65	247.36	258.30	265.11	267.33
G 38.0	221.75	221.19	229.53	244.36	255.49	262.61	264.86
G 39.0	217.41	216.84	226.33	241.33	252.66	259.85	262.23
G 40.0	212.93	212.62	222.97	238.25	249.80	257.11	259.37
G 41.0	208.48	208.14	219.55	234.87	246.76	254.34	256.97
G 42.0	204.23	203.75	216.14	231.84	243.85	251.42	253.93
G 43.0	199.71	199.18	212.51	228.23	240.68	248.51	250.76
G 44.0	195.23	194.83	209.02	224.81	237.36	245.48	247.92
G 45.0	190.56	190.15	205.16	221.51	234.14	242.20	244.96
G 46.0	186.03	185.57	201.50	217.97	230.71	238.94	241.44
G 47.0	181.19	181.07	197.70	214.19	227.33	235.67	238.37
G 48.0	176.68	176.68	193.90	210.67	223.84	232.19	235.02
G 49.0	171.84	172.34	190.01	206.91	220.24	228.76	231.47
G 50.0	167.12	167.86	186.01	203.20	216.49	225.06	227.83
G 51.0	162.45	163.41	182.02	199.38	213.02	221.30	223.88
G 52.0	157.54	159.09	177.88	195.44	209.06	217.24	219.74
G 53.0	152.59	154.64	173.86	191.65	205.13	213.15	215.65
G 54.0	147.80	150.44	169.53	187.71	201.06	208.82	211.21
G 55.0	142.70	146.09	165.49	183.55	196.96	204.35	206.80
G 56.0	137.75	141.65	161.15	179.34	192.68	199.91	202.15
G 57.0	132.80	137.20	156.78	175.32	188.15	195.36	197.64
G 58.0	127.75	132.75	152.35	171.00	183.63	190.78	193.09
G 59.0	122.63	128.14	147.97	166.65	178.77	185.99	188.37
G 60.0	117.75	123.67	143.45	162.22	174.17	181.20	183.65
G 61.0	112.73	119.08	138.95	157.44	169.18	176.45	178.91
G 62.0	107.63	114.46	134.51	152.77	164.40	171.67	174.11
G 63.0	102.68	109.83	129.89	147.76	159.40	166.69	169.19
G 64.0	97.68	105.23	125.33	142.84	154.62	161.94	164.39
G 65.0	92.70	100.58	120.88	137.78	149.73	156.98	159.39
G 66.0	87.83	96.02	116.20	132.80	144.80	152.10	154.54
G 67.0	82.90	91.43	111.58	127.66	139.87	147.27	149.92
G 68.0	77.98	86.77	106.74	122.67	134.91	142.37	144.93
G 69.0	73.12	82.26	101.96	117.72	129.98	137.43	139.99
G 70.0	68.33	77.71	96.97	112.63	125.05	132.54	135.23
G 71.0	63.52	73.14	92.11	107.72	120.18	127.76	130.26
G 72.0	58.79	68.67	87.17	102.82	115.25	122.90	125.36

LEDS C4²

Luminaria

Código 05-E028-Z5-EH_2700K

Nombre SKAT

Ensayo

Código 05-E028-Z5-EH_2700K

Nombre SKAT

Flujo Luminaria	539.46 lm	Potencia Luminaria	10.00 W	Eficacia	53.95 lm/W	Eficiencia	100.00%
Flujo Fuentes de luz	539.46 lm	Valor Máximo	317.22 cd/klm	Posición	C=0.00 G=1.00	CG	Bisimétrico

Tabla de Intensidad Luminosa cd/klm

Tabla 2/2

	C 0.00	C 15.00	C 30.00	C 45.00	C 60.00	C 75.00	C 90.00
G 73.0	54.07	64.24	82.29	97.93	110.42	118.23	120.83
G 74.0	49.51	59.86	77.52	93.16	105.60	113.48	116.03
G 75.0	44.90	55.48	72.76	88.43	100.86	108.75	111.26
G 76.0	40.47	51.27	68.14	83.76	96.20	104.25	106.80
G 77.0	36.06	46.91	63.48	79.15	91.64	99.59	102.21
G 78.0	31.72	42.67	59.10	74.75	87.19	95.11	97.74
G 79.0	27.62	38.38	54.66	70.37	82.83	90.82	93.33
G 80.0	23.51	34.24	50.49	66.25	78.61	86.42	89.01
G 81.0	19.47	30.10	46.47	62.23	74.50	82.13	84.70
G 82.0	15.58	26.10	42.64	58.36	70.59	78.20	80.80
G 83.0	11.90	22.27	39.04	54.86	67.18	74.60	77.58
G 84.0	8.22	18.80	35.92	51.84	64.38	72.19	75.23
G 85.0	5.75	15.82	33.39	49.31	62.26	70.08	73.12
G 86.0	3.68	13.69	31.33	47.63	60.54	68.35	71.21
G 87.0	1.60	12.19	30.09	46.63	59.44	67.55	70.36
G 88.0	0.20	11.27	29.30	45.84	58.81	67.02	69.78
G 89.0	0.19	10.98	28.88	45.52	58.30	66.37	69.14
G 90.0	0.16	10.87	28.63	45.09	57.82	65.79	68.52

LEDS C4²

Luminaria

Código 05-E028-Z5-EH_2700K

Nombre SKAT

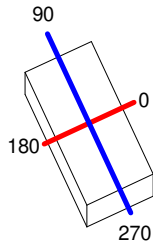
Ensayo

Código 05-E028-Z5-EH_2700K

Nombre SKAT

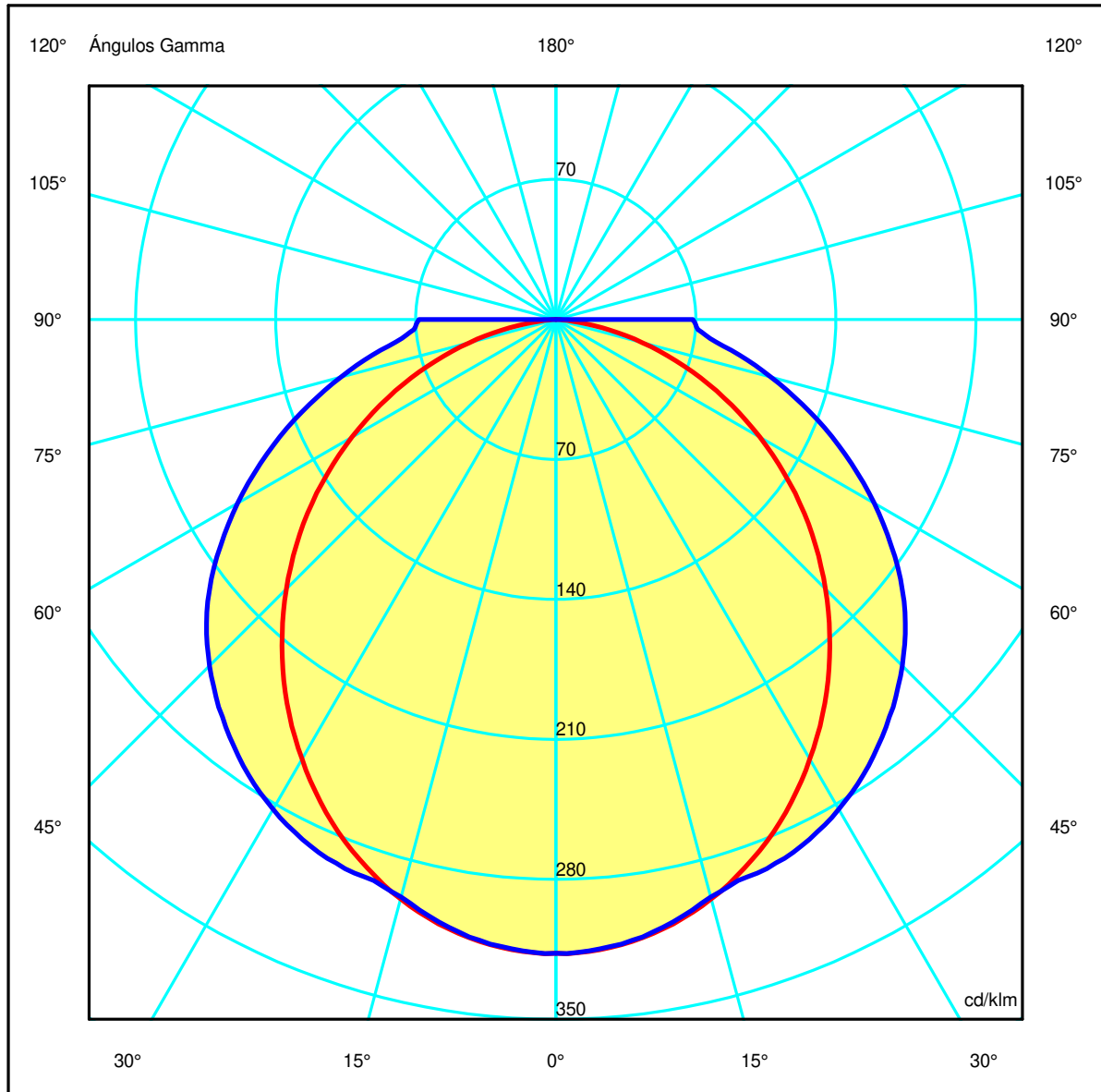
Flujo Luminaria	539.46 lm	Potencia Luminaria	10.00 W	Eficacia	53.95 lm/W	Eficiencia	100.00%
Flujo Fuentes de luz	539.46 lm	Valor Máximo	317.22 cd/klm	Posición	C=0.00 G=1.00	CG	Bisimétrico

200mm x 100mm



Semiplanos C

180.0 ———— 0.0
270.0 ———— 90.0



LEDS C4[®]

Luminaria

Código 05-E028-Z5-EH_2700K

Nombre SKAT

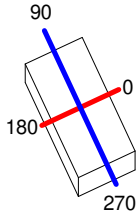
Ensayo

Código 05-E028-Z5-EH_2700K

Nombre SKAT

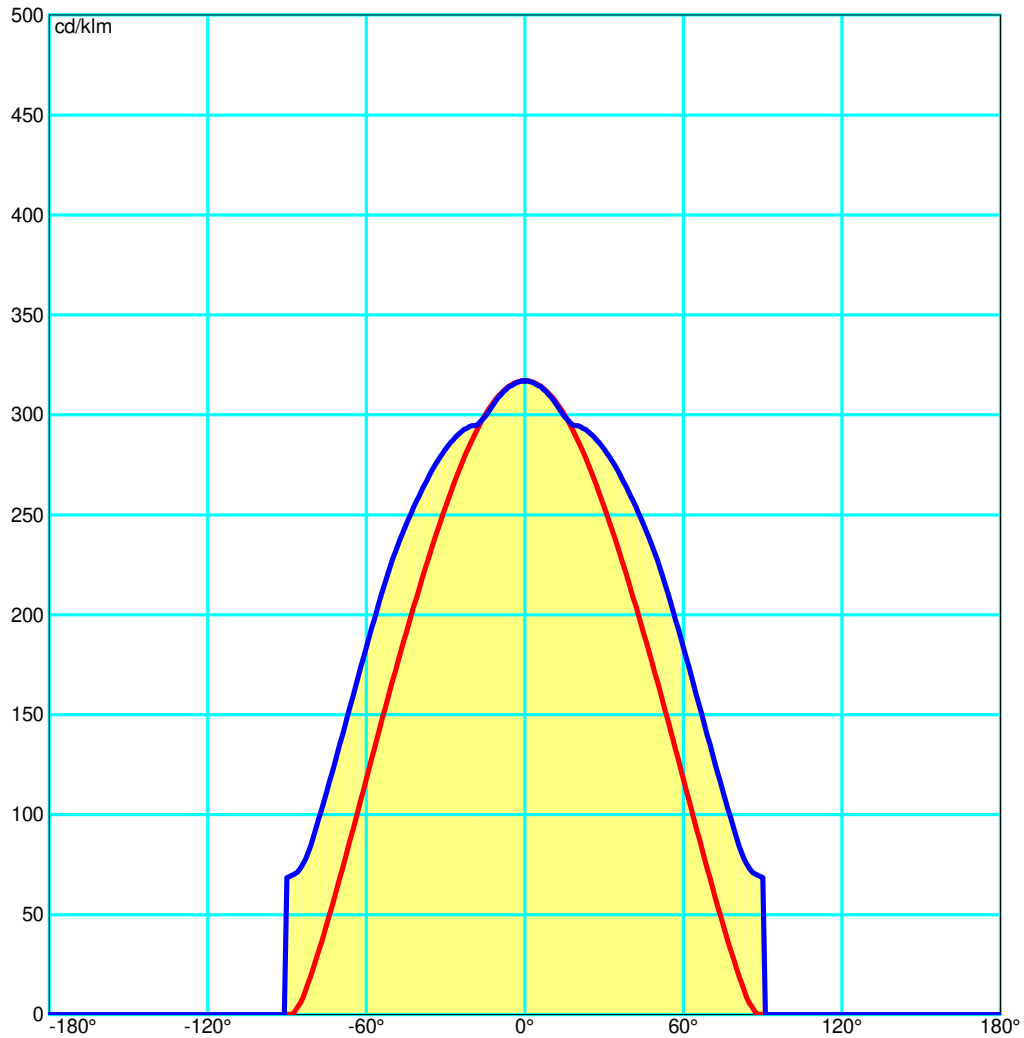
Flujo Luminaria	539.46 lm	Potencia Luminaria	10.00 W	Eficacia	53.95 lm/W	Eficiencia	100.00%
Flujo Fuentes de luz	539.46 lm	Valor Máximo	317.22 cd/klm	Posición	C=0.00 G=1.00	CG	Bisimétrico

200mm x 100mm



Semiplanos C

180.0 ——— 0.0
270.0 ——— 90.0



LEDS C4[®]

Luminaria

Código 05-E028-Z5-EH_2700K

Nombre SKAT

Ensayo

Código 05-E028-Z5-EH_2700K

Nombre SKAT

Flujo Luminaria	539.46 lm	Potencia Luminaria	10.00 W	Eficacia	53.95 lm/W	Eficiencia	100.00%
Flujo Fuentes de luz	539.46 lm	Valor Máximo	317.22 cd/klm	Posición	C=0.00 G=1.00	CG	Bisimétrico

UGR
S = 0.250

Reflectancias										
Techo/Cavidad	0.7	0.7	0.5	0.5	0.3	0.7	0.7	0.5	0.5	0.3
Paredes	0.5	0.3	0.5	0.3	0.3	0.5	0.3	0.5	0.3	0.3
PDT	0.2	0.2	0.2	0.2	0.2	0.2	0.2	0.2	0.2	0.2
Dimensiones del Local										
	Vista Lateral					Vista Longitudinal				
x=2H y=2H	18.8	20.2	19.1	20.5	20.7	21.2	22.6	21.5	22.8	23.1
x=2H y=3H	19.9	21.2	20.3	21.5	21.8	23.1	24.4	23.4	24.7	25.0
x=2H y=4H	20.3	21.5	20.6	21.8	22.1	24.0	25.2	24.4	25.5	25.8
x=2H y=6H	20.5	21.6	20.8	21.9	22.2	24.9	26.0	25.2	26.3	26.6
x=2H y=8H	20.5	21.6	20.9	21.9	22.2	25.3	26.4	25.7	26.7	27.0
x=2H y=12H	20.5	21.5	20.9	21.8	22.2	25.7	26.7	26.1	27.1	27.4
x=4H y=2H	19.8	21.1	20.2	21.3	21.6	21.6	22.9	22.0	23.1	23.4
x=4H y=3H	21.2	22.2	21.6	22.6	22.9	23.8	24.8	24.2	25.2	25.5
x=4H y=4H	21.7	22.6	22.1	23.0	23.3	24.9	25.8	25.3	26.2	26.5
x=4H y=6H	21.9	22.8	22.4	23.2	23.6	25.9	26.7	26.3	27.1	27.5
x=4H y=8H	22.0	22.8	22.4	23.2	23.6	26.4	27.1	26.8	27.5	28.0
x=4H y=12H	22.0	22.7	22.5	23.1	23.6	26.9	27.6	27.4	28.0	28.5
x=8H y=4H	22.3	23.0	22.7	23.4	23.9	25.0	25.8	25.5	26.2	26.6
x=8H y=6H	22.7	23.4	23.2	23.8	24.3	26.3	26.9	26.7	27.3	27.8
x=8H y=8H	22.9	23.4	23.3	23.9	24.4	26.9	27.4	27.4	27.9	28.4
x=8H y=12H	22.9	23.4	23.4	23.9	24.4	27.6	28.1	28.1	28.5	29.0
x=12H y=4H	22.4	23.1	22.8	23.5	24.0	25.0	25.8	25.5	26.2	26.6
x=12H y=6H	23.0	23.5	23.4	24.0	24.5	26.3	26.9	26.8	27.3	27.8
x=12H y=8H	23.1	23.6	23.6	24.1	24.6	27.0	27.5	27.5	27.9	28.4

LEDS C4⁺

Luminaria

Código 05-E028-Z5-EH_2700K

Nombre SKAT

Ensayo

Código 05-E028-Z5-EH_2700K

Nombre SKAT

Flujo Luminaria	539.46 lm	Potencia Luminaria	10.00 W	Eficacia	53.95 lm/W	Eficiencia	100.00%
Flujo Fuentes de luz	539.46 lm	Valor Máximo	317.22 cd/klm	Posición	C=0.00 G=1.00	CG	Bisimétrico

Flujo Total=539.46 Flujo Luminaria=539.46

RI	0.60	0.80	1.00	1.25	1.50	2.00	2.50	3.00	4.00	5.00	10.00	20.00
DRR	0.27	0.35	0.42	0.49	0.55	0.63	0.69	0.73	0.79	0.82	0.90	0.95
RC	6	6	6	6	6	6	6	6	6	6	6	6

Flujo Zonal por 1000 Lúmenes

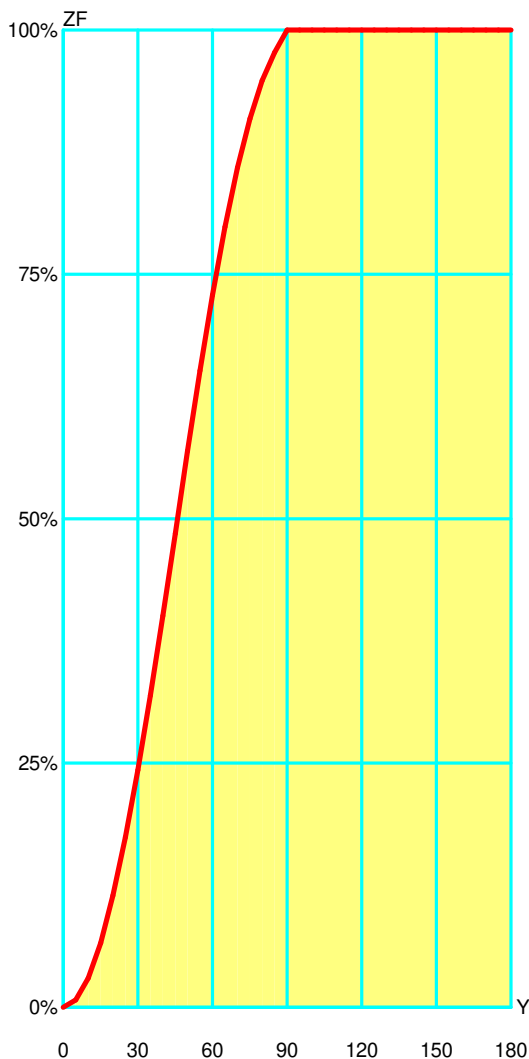
Y°	10	20	30	40	50	60	70	80	90	100	110	120	130	140	150	160	170	180
ZF(Y)	30	114	243	401	569	729	859	948	1000	1000	1000	1000	1000	1000	1000	1000	1000	1000

Códigos de Flujo C.I.E.

42 73 91 100 100

C.I.E.	6
D DIN 5040	A30
F UTE	1.00 G
B NBN	BZ 5
RN	0.00000 %
BLF	1.0

LOR	100.00000 %
ULOR	0.00000 %
DLOR	100.00000 %
UFF	0.00000 %
DFF	100.00000 %
FFR	0.00000 %



Gamma °	Flujo Zonal			
	Flujo	Suma lm	Flujo [%]	Suma [%]
0°	0.00	0.00	0.00%	0.00%
5°	7.56	7.56	0.76%	0.76%
10°	22.32	29.88	2.23%	2.99%
15°	36.08	65.96	3.61%	6.60%
20°	48.42	114.39	4.84%	11.44%
25°	59.49	173.88	5.95%	17.39%
30°	68.93	242.81	6.89%	24.28%
35°	76.31	319.12	7.63%	31.91%
40°	81.46	400.58	8.15%	40.06%
45°	84.18	484.76	8.42%	48.48%
50°	84.42	569.18	8.44%	56.92%
55°	82.18	651.37	8.22%	65.14%
60°	77.31	728.68	7.73%	72.87%
65°	69.97	798.64	7.00%	79.86%
70°	60.69	859.33	6.07%	85.93%
75°	50.07	909.41	5.01%	90.94%
80°	38.99	948.39	3.90%	94.84%
85°	28.62	977.01	2.86%	97.70%
90°	22.99	1000.00	2.30%	100.00%
95°	0.00	1000.00	0.00%	100.00%
100°	0.00	1000.00	0.00%	100.00%
105°	0.00	1000.00	0.00%	100.00%
110°	0.00	1000.00	0.00%	100.00%
115°	0.00	1000.00	0.00%	100.00%
120°	0.00	1000.00	0.00%	100.00%
125°	0.00	1000.00	0.00%	100.00%
130°	0.00	1000.00	0.00%	100.00%
135°	0.00	1000.00	0.00%	100.00%
140°	0.00	1000.00	0.00%	100.00%
145°	0.00	1000.00	0.00%	100.00%
150°	0.00	1000.00	0.00%	100.00%
155°	0.00	1000.00	0.00%	100.00%
160°	0.00	1000.00	0.00%	100.00%
165°	0.00	1000.00	0.00%	100.00%
170°	0.00	1000.00	0.00%	100.00%
175°	0.00	1000.00	0.00%	100.00%
180°	0.00	1000.00	0.00%	100.00%

LEDS C4⁺

Luminaria

Código 05-E028-Z5-EH_2700K

Nombre SKAT

Ensayo

Código 05-E028-Z5-EH_2700K

Nombre SKAT

Flujo Luminaria	539.46 lm	Potencia Luminaria	10.00 W	Eficacia	53.95 lm/W	Eficiencia	100.00%
Flujo Fuentes de luz	539.46 lm	Valor Máximo	317.22 cd/klm	Posición	C=0.00 G=1.00	CG	Bisimétrico

Utilización CIE

Montaje	Directo	Normalización										Normalizados										Raz. de Susp. 1/3			CIE Estándar		
Techo																											
K	8873	8773	8871	8771	7773	7771	7753	7553	7751	7551	7731	7331	7711	7111	5551	5531	5331	5511	5111	3331	3311	1111	0000				
0.60	222	199	177	160	190	153	113	96	90	77	48	36	17	12	72	38	34	14	11	32	12	10	0				
0.80	257	236	191	176	224	168	142	124	104	91	58	46	23	17	85	48	43	19	16	41	17	15	0				
1.00	281	262	194	182	249	174	165	147	112	100	65	54	29	22	94	55	51	25	21	48	22	19	0				
1.25	302	284	193	183	270	176	189	171	117	107	72	61	35	28	101	62	58	31	27	55	28	25	0				
1.50	316	300	189	181	286	174	208	191	120	111	76	67	41	34	105	67	63	36	32	60	33	30	0				
2.00	334	321	179	173	306	168	236	221	121	114	83	74	50	43	108	75	71	46	42	68	42	39	0				
2.50	346	335	171	166	320	161	256	243	121	116	87	80	57	51	110	80	76	53	49	73	49	46	0				
3.00	354	344	164	160	329	156	272	259	121	116	90	84	63	57	111	83	80	59	55	77	55	51	0				
4.00	364	357	154	152	341	148	293	283	120	116	94	89	71	66	111	88	86	67	63	83	63	60	0				
5.00	371	365	148	146	349	143	308	299	119	116	97	92	77	72	112	91	89	73	70	87	69	66	0				
10.00	384	381	132	131	365	129	341	336	115	114	102	100	90	87	111	98	97	87	85	95	84	81	0				
20.00	390	388	122	122	373	120	359	357	112	112	105	104	98	96	109	102	101	95	94	99	92	90	0				

Pared

K	8873	8773	8871	8771	7773	7771	7753	7553	7751	7551	7731	7331	7711	7111	5551	5531	5331	5511	5111	3331	3311	1111	0000
0.60	482	470	426	418	464	413	365	358	333	328	279	275	241	239	325	276	274	239	238	273	239	238	218
0.80	548	535	471	463	525	457	428	418	381	375	327	322	286	284	370	322	320	285	283	318	283	282	259
1.00	593	581	499	492	568	485	474	464	414	408	362	356	321	318	402	355	353	318	317	351	316	315	288
1.25	635	622	522	516	608	508	519	508	444	438	394	388	354	350	431	387	384	351	349	381	348	346	317
1.50	666	654	539	533	638	525	554	543	466	460	419	413	381	377	452	411	409	377	375	405	374	371	339
2.00	703	693	552	548	673	540	599	589	490	486	449	444	415	410	476	440	438	410	407	433	405	402	366
2.50	727	718	561	557	697	549	631	621	506	502	470	465	439	434	492	461	459	433	430	453	428	423	385
3.00	744	736	566	563	713	555	655	645	517	514	485	480	456	451	503	475	473	449	447	466	444	439	398
4.00	774	768	580	578	743	570	693	685	539	536	512	507	487	482	525	501	499	479	477	492	473	467	423
5.00	797	792	592	591	765	583	723	715	557	554	533	529	511	507	543	522	520	503	500	512	495	488	443
10.00	859	856	631	630	827	622	801	796	607	605	592	590	578	575	593	580	579	568	566	570	559	550	500
20.00	903	901	661	661	870	654	855	853	645	644	636	635	628	626	632	624	623	617	616	613	606	596	544

P.Trab.

K	8873	8773	8871	8771	7773	7771	7753	7553	7751	7551	7731	7331	7711	7111	5551	5531	5331	5511	5111	3331	3311	1111	0000
0.60	570	557	532	522	549	516	430	422	414	408	344	340	294	292	404	340	338	293	292	337	292	291	273
0.80	676	662	623	613	649	604	528	518	504	496	432	426	378	375	490	425	423	375	374	420	374	373	353
1.00	759	744	692	682	728	672	610	598	577	569	505	498	450	446	560	497	494	447	445	491	444	442	423
1.25	838	823	755	747	803	735	690	677	647	639	578	570	523	518	628	568	565	519	516	560	515	512	493
1.50	897	883	802	794	860	781	753	739	699	692	634	626	581	575	679	622	619	575	572	613	570	566	548
2.00	984	971	867	861	943	847	849	835	778	771	720	712	672	665	756	706	703	664	660	695	657	651	634
2.50	1000	1000	908	903	998	889	914	900	829	824	778	770	734	727	807	763	760	724	720	750	716	709	692
3.00	1000	1000	937	933	1000	919	962	949	866	861	820	813	779	772	843	803	800	768	764	789	759	750	735
4.00	1000	1000	972	968	1000	954	1000	1000	912	907	873	867	838	832	888	855	853	825	822	839	813	803	789
5.00	1000	1000	993	990	1000	976	1000	1000	940	936	907	901	876	870	916	888	886	862	858	871	849	837	823
10.00	1000	1000	1000	1000	1000	1000	1000	1000	1000	999	981	978	963	958	978	961	959	945	942	942	928	912	900
20.00	1000	1000	1000	1000	1000	1000	1000	1000	1000	1000	1000	1000	1000	1000	1000	1000	1000	994	993	983	975	957	946

LM53 SHR C0-C180: 1.190 SHR C90-C270: 1.324 SHR Superficial: 1.408

LEDS C4[®]

Luminaria

Código 05-E028-Z5-EH_2700K

Nombre SKAT

Ensayo

Código 05-E028-Z5-EH_2700K

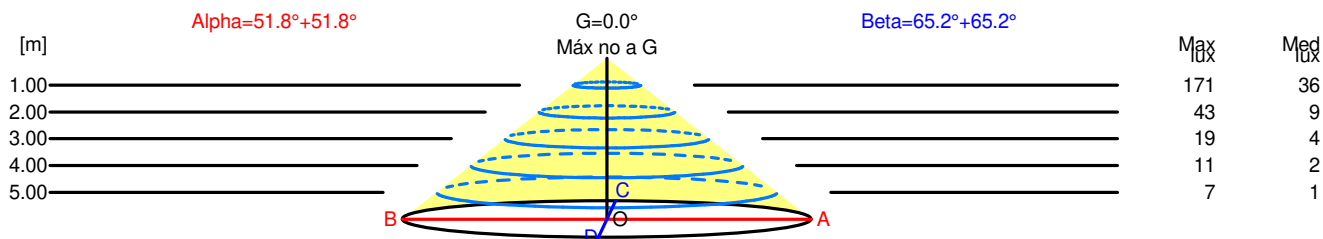
Nombre SKAT

Flujo Luminaria	539.46 lm	Potencia Luminaria	10.00 W	Eficacia	53.95 lm/W	Eficiencia	100.00%
Flujo Fuentes de luz	539.46 lm	Valor Máximo	317.22 cd/klm	Posición	C=0.00 G=1.00	CG	Bisimétrico

Apertura a 50.00 % de Max Intensidad

H[m]	1.00	2.00	3.00	4.00	5.00	H[m]	1.00	2.00	3.00	4.00	5.00
OA	1.27	2.54	3.81	5.08	6.35	OC	2.16	4.32	6.48	8.64	10.80
OB	1.27	2.54	3.81	5.08	6.35	OD	2.16	4.32	6.48	8.64	10.80

	Intensidades Luminosas [cd/klm]									
	0	5	15	25	35	45	55	65	75	85
OA	170.95	170.01	161.80	146.71	126.42	102.80	76.98	50.01	24.22	3.10
OB	170.95	170.01	161.80	146.71	126.42	102.80	76.98	50.01	24.22	3.10
OC	170.95	169.76	161.30	156.65	146.96	132.15	111.56	85.98	60.02	39.44
OD	170.95	169.76	161.30	156.65	146.96	132.15	111.56	85.98	60.02	39.44



H[m]	D[m]	Max lux	Med lux	Alpha=51.8°+51.8°	G=0.0 Máx no a G
1.00	2.54	171	36		
2.00	5.08	43	9		
3.00	7.62	19	4		
4.00	10.16	11	2		
5.00	12.70	7	1		

H[m]	D[m]	Max lux	Med lux	Beta=65.2°+65.2°	G=0.0 Máx no a G
1.00	4.32	171	36		
2.00	8.64	43	9		
3.00	12.96	19	4		
4.00	17.28	11	2		
5.00	21.60	7	1		

LEDS C4⁺

Luminaria

Código 05-E028-Z5-EH_2700K

Nombre SKAT

Ensayo

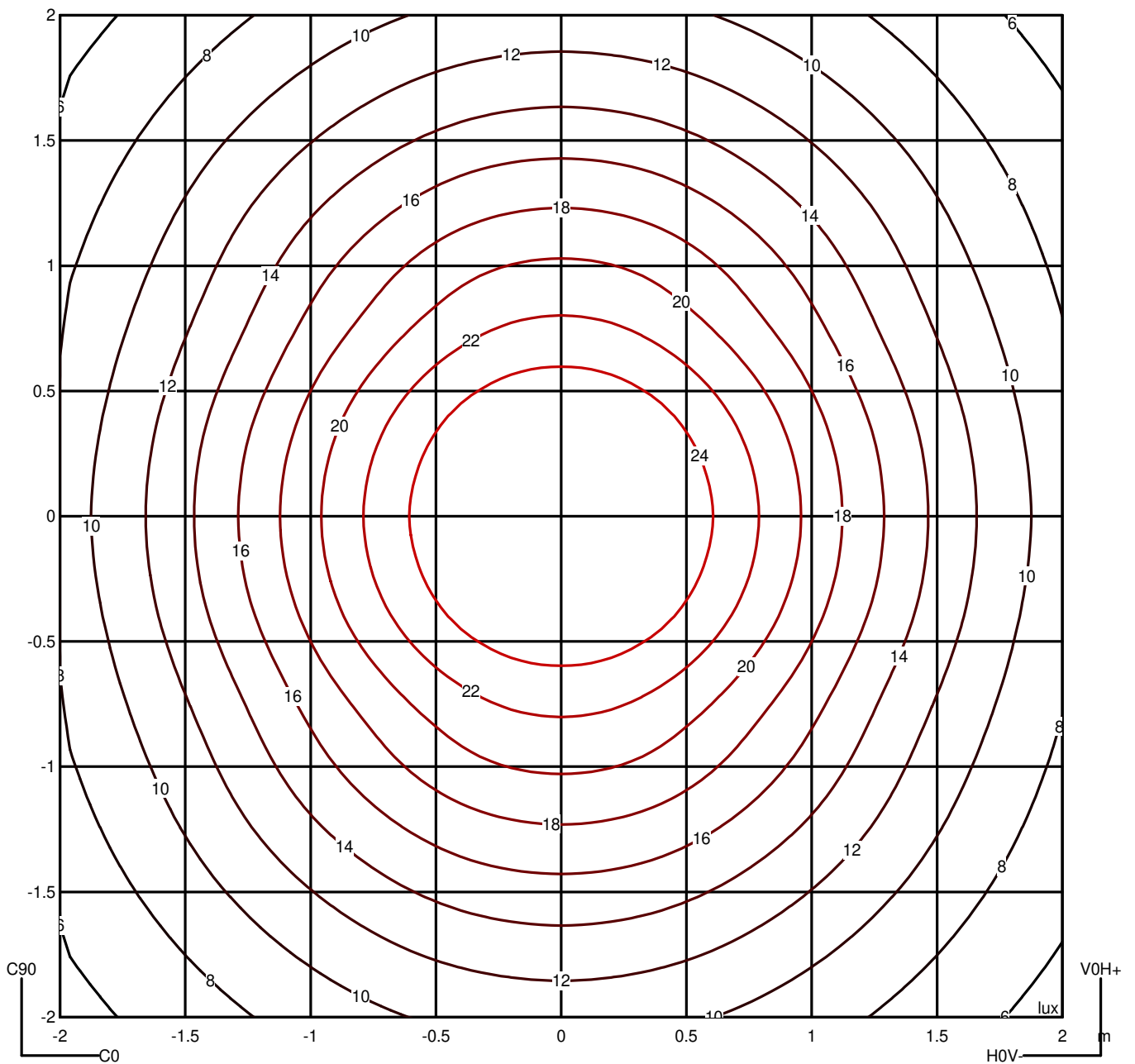
Código 05-E028-Z5-EH_2700K

Nombre SKAT

Flujo Luminaria	539.46 lm	Potencia Luminaria	10.00 W	Eficacia	53.95 lm/W	Eficiencia	100.00%
Flujo Fuentes de luz	539.46 lm	Valor Máximo	317.22 cd/klm	Posición	C=0.00 G=1.00	CG	Bisimétrico

Isolux (Suelo)

Posición Luminaria X=0.00m Y=0.00m Z=2.50m



LEDS C4²

Luminaria

Código 05-E028-Z5-EH_2700K

Nombre SKAT

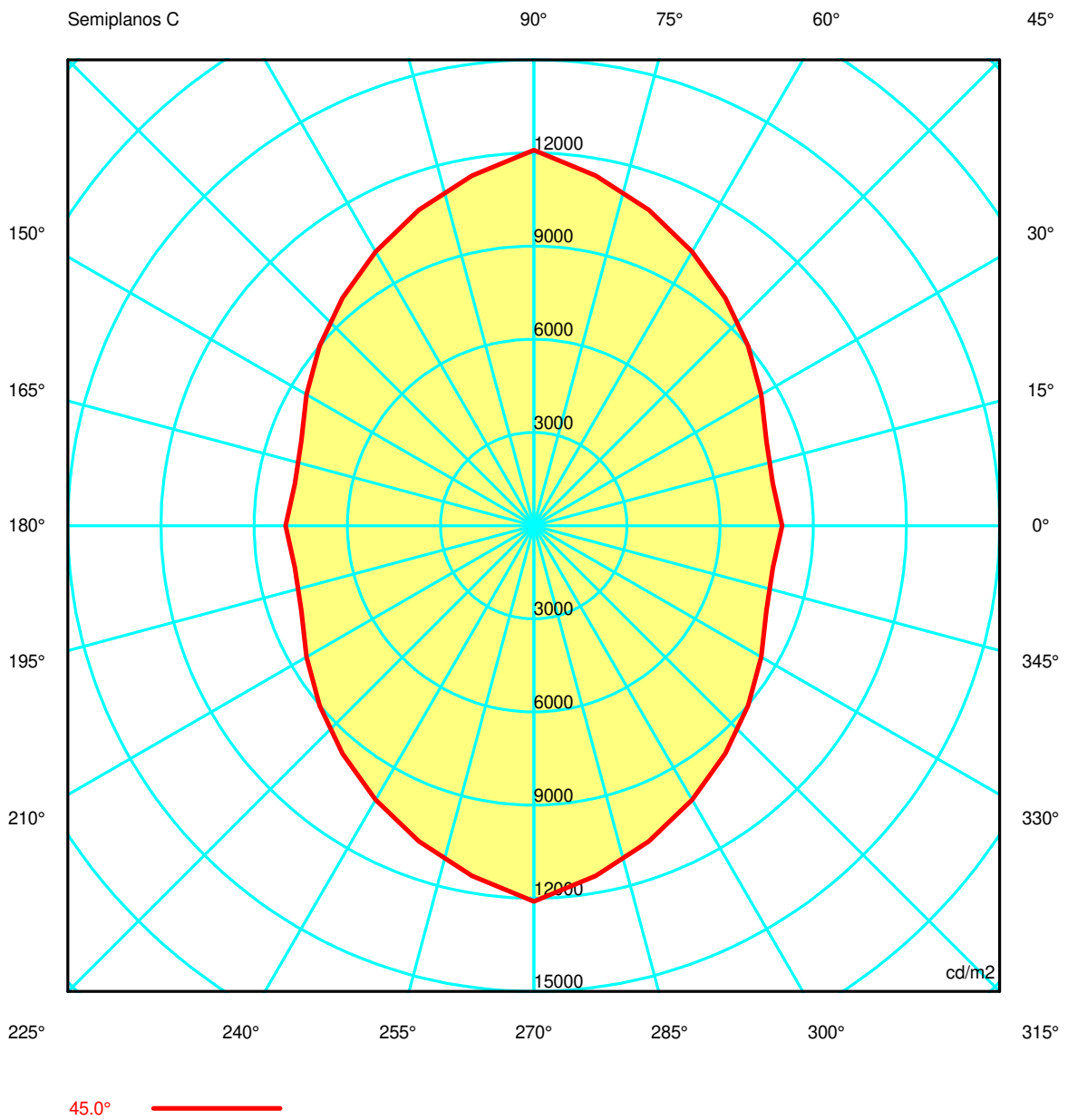
Ensayo

Código 05-E028-Z5-EH_2700K

Nombre SKAT

Flujo Luminaria	539.46 lm	Potencia Luminaria	10.00 W	Eficacia	53.95 lm/W	Eficiencia	100.00%
Flujo Fuentes de luz	539.46 lm	Valor Máximo	317.22 cd/klm	Posición	C=0.00 G=1.00	CG	Bisimétrico

Luminancia



LEDS C4⁺

Luminaria

Código 05-E028-Z5-EH_2700K

Nombre SKAT

Ensayo

Código 05-E028-Z5-EH_2700K

Nombre SKAT

Flujo Luminaria	539.46 lm	Potencia Luminaria	10.00 W	Eficacia	53.95 lm/W	Eficiencia	100.00%
Flujo Fuentes de luz	539.46 lm	Valor Máximo	317.22 cd/klm	Posición	C=0.00 G=1.00	CG	Bisimétrico

Luminance cd/m2 Tabla 1/3

	C 0.00	C 10.00	C 20.00	C 30.00	C 40.00	C 50.00	C 60.00	C 70.00	C 80.00	C 90.00	C 100.00	C 110.00	C 120.00
G 0.0	12663.32	12663.32	12663.32	12663.32	12663.32	12663.32	12663.32	12663.32	12663.32	12663.32	12663.32	12663.32	12663.32
G 5.0	12269.18	12240.37	12231.11	12238.36	12252.02	12278.52	12318.68	12364.60	12413.48	12465.60	12413.48	12364.60	12318.68
G 10.0	11826.60	11780.89	11760.61	11767.78	11800.37	11849.08	11911.91	11994.46	12095.66	12212.32	12095.66	11994.46	11911.91
G 15.0	11353.43	11289.76	11261.94	11267.49	11299.33	11362.87	11459.22	11583.02	11733.58	11908.70	11733.58	11583.02	11459.22
G 20.0	10847.63	10775.57	10741.23	10737.81	10765.85	10877.44	11089.86	11364.92	11639.40	11898.86	11639.40	11364.92	11089.86
G 25.0	10322.51	10229.90	10175.95	10181.92	10298.52	10576.62	10964.99	11333.75	11667.38	11995.52	11667.38	11333.75	10964.99
G 30.0	9755.73	9666.58	9595.48	9646.48	9976.63	10408.57	10825.24	11246.90	11648.76	12040.97	11648.76	11246.90	10825.24
G 35.0	9198.95	9076.73	9057.18	9231.24	9668.98	10164.49	10623.95	11114.73	11596.27	12068.85	11596.27	11114.73	10623.95
G 40.0	8604.52	8450.51	8526.24	8861.77	9355.15	9889.43	10421.26	10973.39	11516.76	12067.28	11516.76	10973.39	10421.26
G 45.0	7996.86	7808.68	7965.43	8447.72	9004.48	9584.54	10190.41	10819.61	11446.07	12095.88	11446.07	10819.61	10190.41
G 50.0	7352.05	7252.47	7413.18	8008.94	8626.07	9254.17	9927.66	10633.71	11341.23	12083.15	11341.23	10633.71	9927.66
G 55.0	6649.51	6629.46	6865.14	7526.29	8207.89	8898.60	9621.04	10352.85	11106.93	11943.52	11106.93	10352.85	9621.04
G 60.0	5879.95	5883.15	6256.42	6968.72	7726.99	8454.41	9176.23	9954.13	10791.70	11740.00	10791.70	9954.13	9176.23
G 65.0	5027.36	5117.41	5580.91	6354.11	7102.69	7841.17	8632.76	9493.98	10427.64	11506.33	10427.64	9493.98	8632.76
G 70.0	4088.88	4280.24	4806.00	5599.64	6354.50	7141.10	8028.18	8988.01	10044.37	11310.78	10044.37	8988.01	8028.18
G 75.0	3022.41	3342.76	3909.59	4700.52	5521.01	6393.48	7367.01	8457.45	9675.32	11160.82	9675.32	8457.45	7367.01
G 80.0	1823.78	2251.33	2885.26	3733.50	4652.92	5635.07	6718.91	7956.77	9394.63	11259.14	9394.63	7956.77	6718.91
G 85.0	531.29	1033.18	1834.75	2912.03	3990.77	5147.03	6471.07	7993.78	9884.41	12645.72	9884.41	7993.78	6471.07
G 90.0	18.13	718.01	1733.34	3071.93	4461.15	5963.98	7741.93	10020.74	13246.72	18956.32	13246.72	10020.74	7741.93

LEDS C4⁺

Luminaria

Código 05-E028-Z5-EH_2700K

Nombre SKAT

Ensayo

Código 05-E028-Z5-EH_2700K

Nombre SKAT

Flujo Luminaria	539.46 lm	Potencia Luminaria	10.00 W	Eficacia	53.95 lm/W	Eficiencia	100.00%
Flujo Fuentes de luz	539.46 lm	Valor Máximo	317.22 cd/klm	Posición	C=0.00 G=1.00	CG	Bisimétrico

Luminance cd/m2 Tabla 2/3

	C 130.00	C 140.00	C 150.00	C 160.00	C 170.00	C 180.00	C 190.00	C 200.00	C 210.00	C 220.00	C 230.00	C 240.00	C 250.00
G 0.0	12663.32	12663.32	12663.32	12663.32	12663.32	12663.32	12663.32	12663.32	12663.32	12663.32	12663.32	12663.32	12663.32
G 5.0	12278.52	12252.02	12238.36	12231.11	12240.37	12269.18	12240.37	12231.11	12238.36	12252.02	12278.52	12318.68	12364.60
G 10.0	11849.08	11800.37	11767.78	11760.61	11780.89	11826.60	11780.89	11760.61	11767.78	11800.37	11849.08	11911.91	11994.46
G 15.0	11362.87	11299.33	11267.49	11261.94	11289.76	11353.43	11289.76	11261.94	11267.49	11299.33	11362.87	11459.22	11583.02
G 20.0	10877.44	10765.85	10737.81	10741.23	10775.57	10847.63	10775.57	10741.23	10737.81	10765.85	10877.44	11089.86	11364.92
G 25.0	10576.62	10298.52	10181.92	10175.95	10229.90	10322.51	10229.90	10175.95	10181.92	10298.52	10576.62	10964.99	11333.75
G 30.0	10408.57	9976.63	9646.48	9595.48	9666.58	9755.73	9666.58	9595.48	9646.48	9976.63	10408.57	10825.24	11246.90
G 35.0	10164.49	9668.98	9231.24	9057.18	9076.73	9198.95	9076.73	9057.18	9231.24	9668.98	10164.49	10623.95	11114.73
G 40.0	9889.43	9355.15	8861.77	8526.24	8450.51	8604.52	8450.51	8526.24	8861.77	9355.15	9889.43	10421.26	10973.39
G 45.0	9584.54	9004.48	8447.72	7965.43	7808.68	7996.86	7808.68	7965.43	8447.72	9004.48	9584.54	10190.41	10819.61
G 50.0	9254.17	8626.07	8008.94	7413.18	7252.47	7352.05	7252.47	7413.18	8008.94	8626.07	9254.17	9927.66	10633.71
G 55.0	8898.60	8207.89	7526.29	6865.14	6629.46	6649.51	6629.46	6865.14	7526.29	8207.89	8898.60	9621.04	10352.85
G 60.0	8454.41	7726.99	6968.72	6256.42	5883.15	5879.95	5883.15	6256.42	6968.72	7726.99	8454.41	9176.23	9954.13
G 65.0	7841.17	7102.69	6354.11	5580.91	5117.41	5027.36	5117.41	5580.91	6354.11	7102.69	7841.17	8632.76	9493.98
G 70.0	7141.10	6354.50	5599.64	4806.00	4280.24	4088.88	4280.24	4806.00	5599.64	6354.50	7141.10	8028.18	8988.01
G 75.0	6393.48	5521.01	4700.52	3909.59	3342.76	3022.41	3342.76	3909.59	4700.52	5521.01	6393.48	7367.01	8457.45
G 80.0	5635.07	4652.92	3733.50	2885.26	2251.33	1823.78	2251.33	2885.26	3733.50	4652.92	5635.07	6718.91	7956.77
G 85.0	5147.03	3990.77	2912.03	1834.75	1033.18	531.29	1033.18	1834.75	2912.03	3990.77	5147.03	6471.07	7993.78
G 90.0	5963.98	4461.15	3071.93	1733.34	718.01	18.13	718.01	1733.34	3071.93	4461.15	5963.98	7741.93	10020.74

LEDS C4[®]

Luminaria

Código 05-E028-Z5-EH_2700K

Nombre SKAT

Ensayo

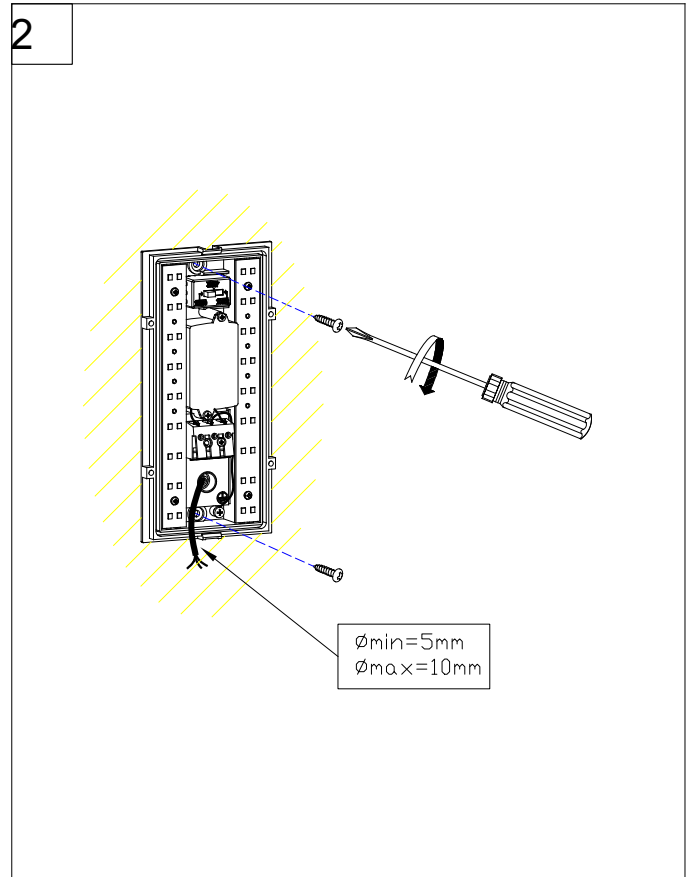
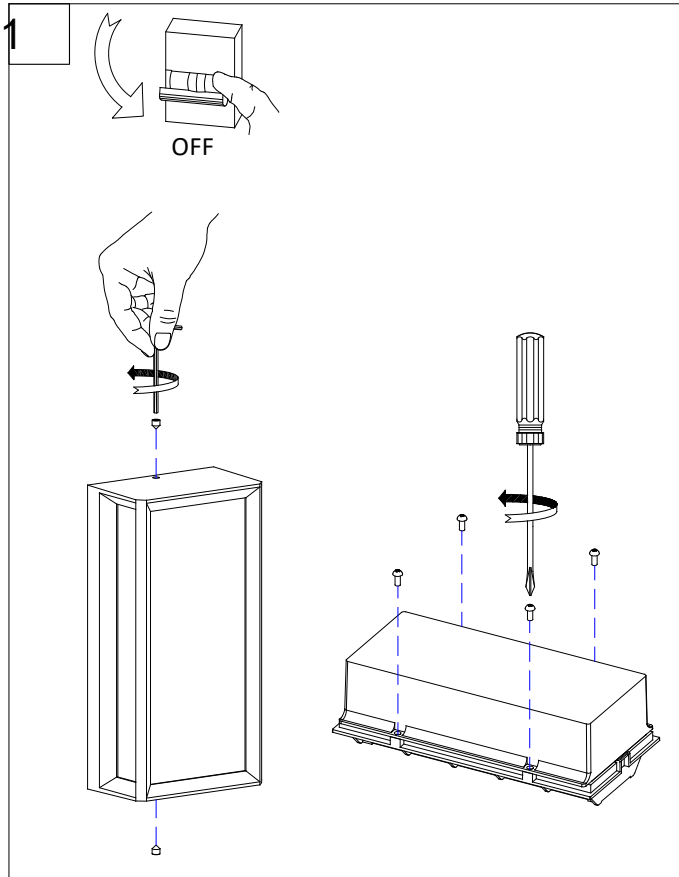
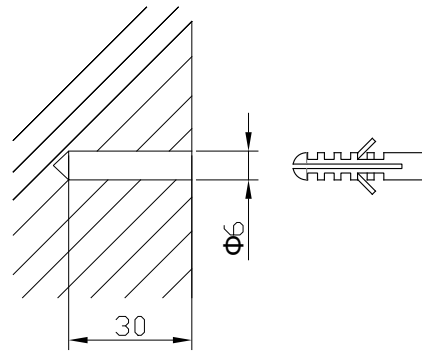
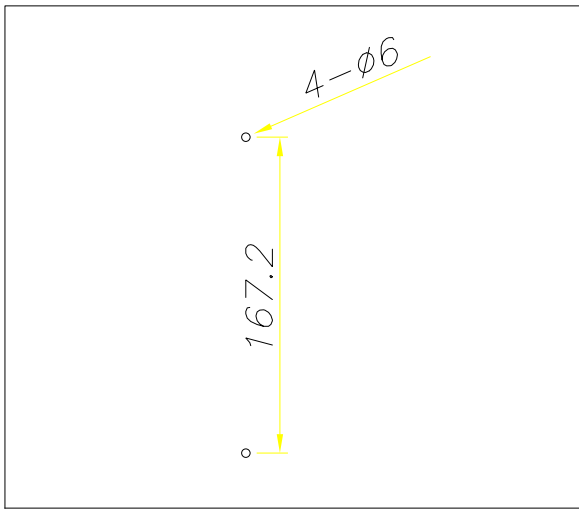
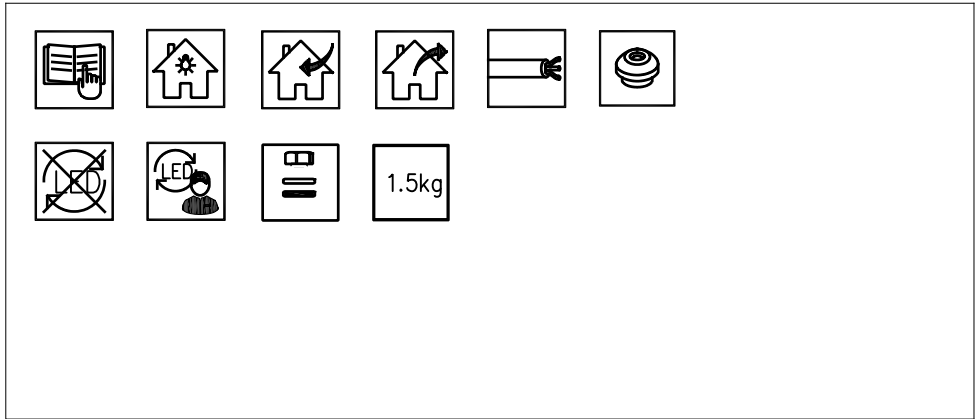
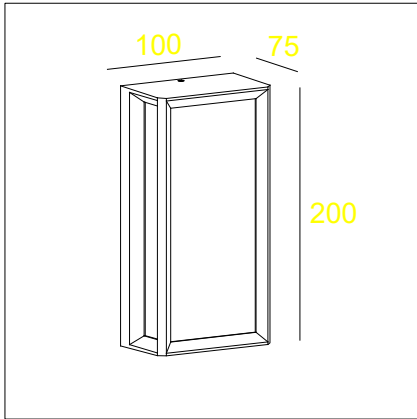
Código 05-E028-Z5-EH_2700K

Nombre SKAT

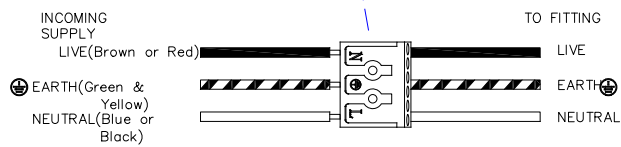
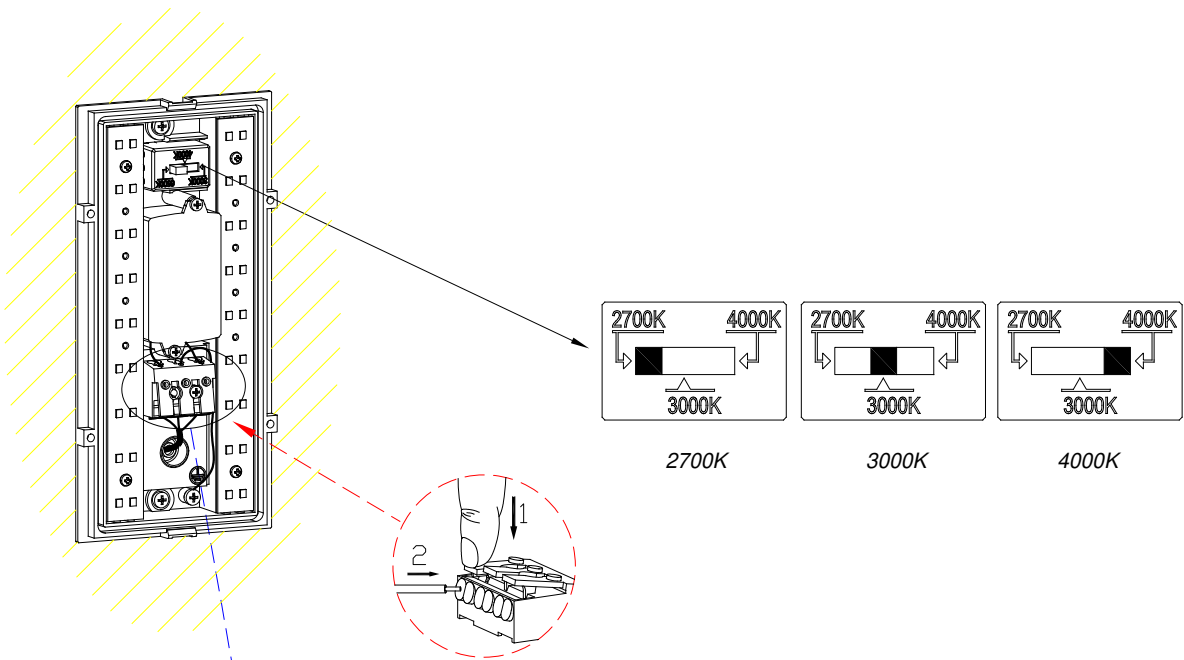
Flujo Luminaria	539.46 lm	Potencia Luminaria	10.00 W	Eficacia	53.95 lm/W	Eficiencia	100.00%
Flujo Fuentes de luz	539.46 lm	Valor Máximo	317.22 cd/klm	Posición	C=0.00 G=1.00	CG	Bisimétrico

Luminance cd/m2 Tabla 3/3

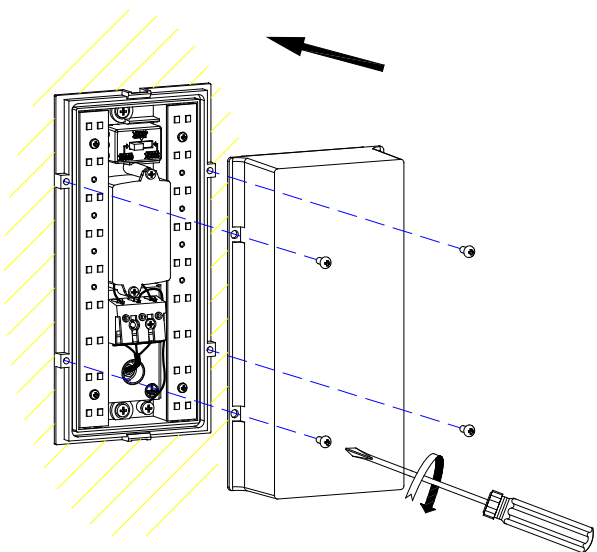
	C 260.00	C 270.00	C 280.00	C 290.00	C 300.00	C 310.00	C 320.00	C 330.00	C 340.00	C 350.00
G 0.0	12663.32	12663.32	12663.32	12663.32	12663.32	12663.32	12663.32	12663.32	12663.32	12663.32
G 5.0	12413.48	12465.60	12413.48	12364.60	12318.68	12278.52	12252.02	12238.36	12231.11	12240.37
G 10.0	12095.66	12212.32	12095.66	11994.46	11911.91	11849.08	11800.37	11767.78	11760.61	11780.89
G 15.0	11733.58	11908.70	11733.58	11583.02	11459.22	11362.87	11299.33	11267.49	11261.94	11289.76
G 20.0	11639.40	11898.86	11639.40	11364.92	11089.86	10877.44	10765.85	10737.81	10741.23	10775.57
G 25.0	11667.38	11995.52	11667.38	11333.75	10964.99	10576.62	10298.52	10181.92	10175.95	10229.90
G 30.0	11648.76	12040.97	11648.76	11246.90	10825.24	10408.57	9976.63	9646.48	9595.48	9666.58
G 35.0	11596.27	12068.85	11596.27	11114.73	10623.95	10164.49	9668.98	9231.24	9057.18	9076.73
G 40.0	11516.76	12067.28	11516.76	10973.39	10421.26	9889.43	9355.15	8861.77	8526.24	8450.51
G 45.0	11446.07	12095.88	11446.07	10819.61	10190.41	9584.54	9004.48	8447.72	7965.43	7808.68
G 50.0	11341.23	12083.15	11341.23	10633.71	9927.66	9254.17	8626.07	8008.94	7413.18	7252.47
G 55.0	11106.93	11943.52	11106.93	10352.85	9621.04	8898.60	8207.89	7526.29	6865.14	6629.46
G 60.0	10791.70	11740.00	10791.70	9954.13	9176.23	8454.41	7726.99	6968.72	6256.42	5883.15
G 65.0	10427.64	11506.33	10427.64	9493.98	8632.76	7841.17	7102.69	6354.11	5580.91	5117.41
G 70.0	10044.37	11310.78	10044.37	8988.01	8028.18	7141.10	6354.50	5599.64	4806.00	4280.24
G 75.0	9675.32	11160.82	9675.32	8457.45	7367.01	6393.48	5521.01	4700.52	3909.59	3342.76
G 80.0	9394.63	11259.14	9394.63	7956.77	6718.91	5635.07	4652.92	3733.50	2885.26	2251.33
G 85.0	9884.41	12645.72	9884.41	7993.78	6471.07	5147.03	3990.77	2912.03	1834.75	1033.18
G 90.0	13246.72	18956.32	13246.72	10020.74	7741.93	5963.98	4461.15	3071.93	1733.34	718.01



3



4



5

