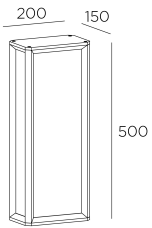




Skat

05-E109-DL-EH

Wall fixture IP65 Skat LED 21.8W 2700K Gold 1466lm



TECHNICAL FEATURES

IP65 IK10



Power (W)-1 : 21.8W

Total power consumption of light (W) : 25.5W

Real lumens : 1466

Real lm/W : 57

Colour temperature-1 : LED warm-white 2700K

Colour temperature-2 : LED neutral-white 4000K

Lens / reflector angle : HORIZONTAL 117°

Structure material : Aluminium

Structure finish : Gold

Diffuser material : Polycarbonate

Diffuser finish : White

Useful life : 50.000h L80B20

Equipment included : Yes, electronic

Voltage / frequency : 100-240V/50-60Hz

Warranty : 5 Years

Max. temperature : 25°C

Seaside : Yes

LUMINOTECHNIC FEATURES

Light source: LED OSRAM

CRI: 80

MacAdam steps: 3

Photobiological risk: RG1

Light source: LED OSRAM

CRI: 80

MacAdam steps: 3

Photobiological risk: RG1

LOGISTICS

Net weight (kg): 3.8

Packaged weight (kg): 4.25

Packaging: 160mm x 210mm x 510mm



4 Un

LEDS C4[®]

Luminaria

Código 05-E109-DL-EH_2700K

Nombre SKAT

Ensayo

Código 05-E109-DL-EH_2700K

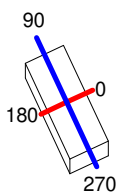
Nombre SKAT

Flujo Luminaria	1316.28 lm	Potencia Luminaria	25.50 W	Eficacia	51.62 lm/W	Eficiencia	100.00%
Flujo Fuentes de luz	1316.28 lm	Valor Máximo	317.22 cd/klm	Posición	C=0.00 G=1.00	CG	Bisimétrico
Luminaria Rectangular		Longit.	500 mm	Anchura	200 mm	Altura	150 mm
Área Luminosa Rectangular		Longit.	460 mm	Anchura	150 mm	Altura	70 mm
Área Luminosa Horizontal				Área Emisión sobre Pl. 180°			0.032200 m2
Área Emisión sobre Pl. 0°				Área Emisión sobre Pl. 270°			0.010500 m2
Área Emisión sobre Pl. 90°				Área de deslumbramiento a 76°			0.047936 m2
Sist. de Coorden.		CG		Tipo de Simetría		Bisimétrico	
Fecha		11-11-2020		Máximo Ángulo Gamma		90	
Distancia de Ensayo		0.00		Flujo de Ensayo		539.46 lm	
Operador		qualitat		Tensión Nominal			
Temperatura		25.00 °C		Corriente Nominal			
Humedad		60.00 %		Fotocélula			
Notas							

Fuentes de luz de la Luminaria

Familia	Código	Nombre	Flujo [lm]	Pot. [W]	Cant.
	05-E109-DL-EH_2700K	05-E028-Z5-EH_2700K	1316.28	25.50	1
C.I.E.	42 73 91 100 100	D DIN 5040	A30		
F UTE	1.00 G	B NBN	BZ 5		

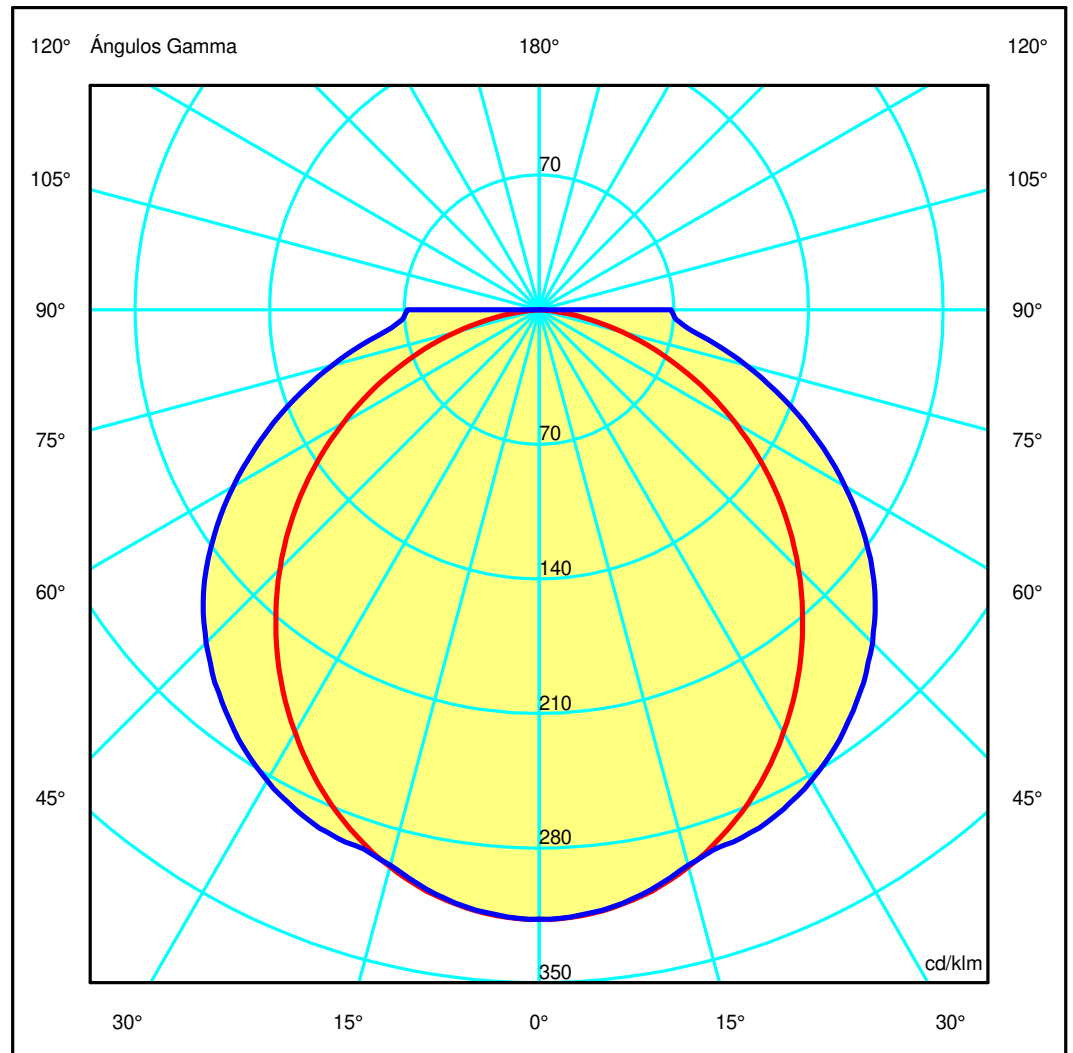
500mm x 200mm



Semiplanos C

180.0 — 0.0
270.0 — 90.0

ULOR 0.00 %
DLOR 100.00 %
RN 0.00 %



Luminaria

Código 05-E109-DL-EH_2700K

Nombre SKAT

Ensayo

Código 05-E109-DL-EH_2700K

Nombre SKAT

Flujo Luminaria	1316.28 lm	Potencia Luminaria	25.50 W	Eficacia	51.62 lm/W	Eficiencia	100.00%
Flujo Fuentes de luz	1316.28 lm	Valor Máximo	317.22 cd/klm	Posición	C=0.00 G=1.00	CG	Bisimétrico

Tabla de Intensidad Luminosa cd/klm
Tabla 1/2

	C 0.00	C 15.00	C 30.00	C 45.00	C 60.00	C 75.00	C 90.00
G 0.0	316.90	316.90	316.90	316.90	316.90	316.90	316.90
G 1.0	317.22	316.85	316.86	317.01	317.05	317.04	317.05
G 2.0	316.77	316.43	316.63	316.89	316.82	316.98	316.61
G 3.0	316.41	316.17	316.34	316.33	316.46	316.67	316.17
G 4.0	315.95	315.60	315.58	315.90	315.87	315.84	315.43
G 5.0	315.15	314.90	315.04	315.01	315.12	315.04	314.69
G 6.0	314.30	314.10	314.19	314.07	313.94	314.15	314.07
G 7.0	313.29	313.09	313.00	313.36	313.04	312.98	312.72
G 8.0	312.05	311.93	311.90	311.95	311.76	311.85	311.73
G 9.0	310.85	310.78	310.47	310.58	310.41	310.52	310.09
G 10.0	309.28	309.04	309.06	309.23	309.01	308.79	308.64
G 11.0	307.93	307.56	307.48	307.40	307.25	307.28	306.86
G 12.0	306.03	305.74	305.81	305.58	305.44	305.25	304.96
G 13.0	304.17	303.80	303.64	303.83	303.46	303.39	303.04
G 14.0	302.20	301.84	301.81	301.63	301.29	301.20	300.92
G 15.0	299.93	299.62	299.54	299.27	299.15	299.03	299.00
G 16.0	297.76	297.36	297.23	297.16	296.77	297.11	297.73
G 17.0	295.35	295.00	294.74	294.53	294.42	295.83	296.33
G 18.0	292.58	292.43	292.21	291.84	292.66	294.18	294.97
G 19.0	290.00	289.86	289.44	289.30	290.84	293.38	294.62
G 20.0	287.28	287.15	286.74	286.28	289.11	293.15	294.52
G 21.0	284.43	284.15	283.77	283.75	287.44	292.75	294.08
G 22.0	281.54	281.06	280.78	281.52	286.77	292.05	293.23
G 23.0	278.44	278.01	277.61	279.01	285.91	291.20	292.69
G 24.0	275.17	274.82	274.54	276.49	284.73	290.13	291.63
G 25.0	271.96	271.45	271.04	274.48	283.30	288.80	290.39
G 26.0	268.34	268.16	267.64	272.85	281.93	287.70	289.19
G 27.0	264.91	264.50	264.21	271.31	280.47	286.12	287.62
G 28.0	261.32	260.89	260.48	269.56	278.91	284.48	286.29
G 29.0	257.71	257.38	257.32	267.45	276.89	282.95	284.66
G 30.0	253.75	253.53	254.02	265.24	275.03	281.05	282.72
G 31.0	250.20	249.88	250.84	263.25	272.92	278.85	280.89
G 32.0	246.18	245.97	247.28	260.63	270.61	277.05	279.02
G 33.0	242.48	241.90	244.23	258.28	268.33	274.86	276.93
G 34.0	238.36	237.99	241.38	255.64	265.98	272.52	274.76
G 35.0	234.35	233.89	238.58	252.92	263.29	270.26	272.43
G 36.0	230.24	229.74	235.72	250.17	260.83	267.78	270.02
G 37.0	225.99	225.58	232.65	247.36	258.30	265.11	267.33
G 38.0	221.75	221.19	229.53	244.36	255.49	262.61	264.86
G 39.0	217.41	216.84	226.33	241.33	252.66	259.85	262.23
G 40.0	212.93	212.62	222.97	238.25	249.80	257.11	259.37
G 41.0	208.48	208.14	219.55	234.87	246.76	254.34	256.97
G 42.0	204.23	203.75	216.14	231.84	243.85	251.42	253.93
G 43.0	199.71	199.18	212.51	228.23	240.68	248.51	250.76
G 44.0	195.23	194.83	209.02	224.81	237.36	245.48	247.92
G 45.0	190.56	190.15	205.16	221.51	234.14	242.20	244.96
G 46.0	186.03	185.57	201.50	217.97	230.71	238.94	241.44
G 47.0	181.19	181.07	197.70	214.19	227.33	235.67	238.37
G 48.0	176.68	176.68	193.90	210.67	223.84	232.19	235.02
G 49.0	171.84	172.34	190.01	206.91	220.24	228.76	231.47
G 50.0	167.12	167.86	186.01	203.20	216.49	225.06	227.83
G 51.0	162.45	163.41	182.02	199.38	213.02	221.30	223.88
G 52.0	157.54	159.09	177.88	195.44	209.06	217.24	219.74
G 53.0	152.59	154.64	173.86	191.65	205.13	213.15	215.65
G 54.0	147.80	150.44	169.53	187.71	201.06	208.82	211.21
G 55.0	142.70	146.09	165.49	183.55	196.96	204.35	206.80
G 56.0	137.75	141.65	161.15	179.34	192.68	199.91	202.15
G 57.0	132.80	137.20	156.78	175.32	188.15	195.36	197.64
G 58.0	127.75	132.75	152.35	171.00	183.63	190.78	193.09
G 59.0	122.63	128.14	147.97	166.65	178.77	185.99	188.37
G 60.0	117.75	123.67	143.45	162.22	174.17	181.20	183.65
G 61.0	112.73	119.08	138.95	157.44	169.18	176.45	178.91
G 62.0	107.63	114.46	134.51	152.77	164.40	171.67	174.11
G 63.0	102.68	109.83	129.89	147.76	159.40	166.69	169.19
G 64.0	97.68	105.23	125.33	142.84	154.62	161.94	164.39
G 65.0	92.70	100.58	120.88	137.78	149.73	156.98	159.39
G 66.0	87.83	96.02	116.20	132.80	144.80	152.10	154.54
G 67.0	82.90	91.43	111.58	127.66	139.87	147.27	149.92
G 68.0	77.98	86.77	106.74	122.67	134.91	142.37	144.93
G 69.0	73.12	82.26	101.96	117.72	129.98	137.43	139.99
G 70.0	68.33	77.71	96.97	112.63	125.05	132.54	135.23
G 71.0	63.52	73.14	92.11	107.72	120.18	127.76	130.26
G 72.0	58.79	68.67	87.17	102.82	115.25	122.90	125.36

LEDS C4²

Luminaria

Código 05-E109-DL-EH_2700K

Nombre SKAT

Ensayo

Código 05-E109-DL-EH_2700K

Nombre SKAT

Flujo Luminaria	1316.28 lm	Potencia Luminaria	25.50 W	Eficacia	51.62 lm/W	Eficiencia	100.00%
Flujo Fuentes de luz	1316.28 lm	Valor Máximo	317.22 cd/klm	Posición	C=0.00 G=1.00	CG	Bisimétrico

Tabla de Intensidad Luminosa cd/klm

Tabla 2/2

	C 0.00	C 15.00	C 30.00	C 45.00	C 60.00	C 75.00	C 90.00
G 73.0	54.07	64.24	82.29	97.93	110.42	118.23	120.83
G 74.0	49.51	59.86	77.52	93.16	105.60	113.48	116.03
G 75.0	44.90	55.48	72.76	88.43	100.86	108.75	111.26
G 76.0	40.47	51.27	68.14	83.76	96.20	104.25	106.80
G 77.0	36.06	46.91	63.48	79.15	91.64	99.59	102.21
G 78.0	31.72	42.67	59.10	74.75	87.19	95.11	97.74
G 79.0	27.62	38.38	54.66	70.37	82.83	90.82	93.33
G 80.0	23.51	34.24	50.49	66.25	78.61	86.42	89.01
G 81.0	19.47	30.10	46.47	62.23	74.50	82.13	84.70
G 82.0	15.58	26.10	42.64	58.36	70.59	78.20	80.80
G 83.0	11.90	22.27	39.04	54.86	67.18	74.60	77.58
G 84.0	8.22	18.80	35.92	51.84	64.38	72.19	75.23
G 85.0	5.75	15.82	33.39	49.31	62.26	70.08	73.12
G 86.0	3.68	13.69	31.33	47.63	60.54	68.35	71.21
G 87.0	1.60	12.19	30.09	46.63	59.44	67.55	70.36
G 88.0	0.20	11.27	29.30	45.84	58.81	67.02	69.78
G 89.0	0.19	10.98	28.88	45.52	58.30	66.37	69.14
G 90.0	0.16	10.87	28.63	45.09	57.82	65.79	68.52

LEDS C4²

Luminaria

Código 05-E109-DL-EH_2700K

Nombre SKAT

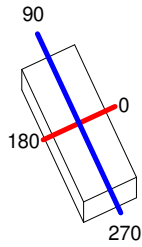
Ensayo

Código 05-E109-DL-EH_2700K

Nombre SKAT

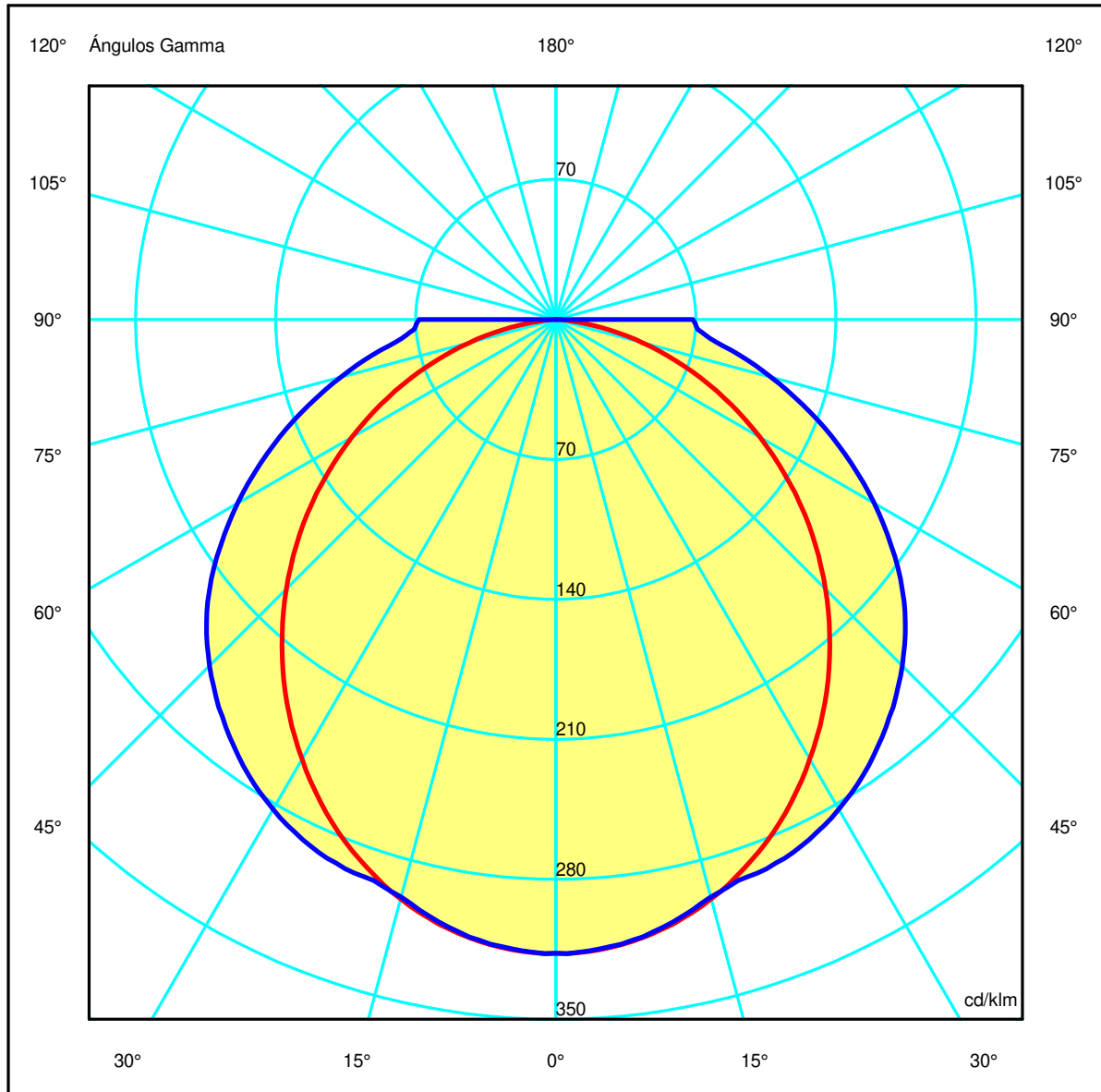
Flujo Luminaria	1316.28 lm	Potencia Luminaria	25.50 W	Eficacia	51.62 lm/W	Eficiencia	100.00%
Flujo Fuentes de luz	1316.28 lm	Valor Máximo	317.22 cd/klm	Posición	C=0.00 G=1.00	CG	Bisimétrico

500mm x 200mm



Semiplanos C

180.0 ———— 0.0
270.0 ———— 90.0



LEDS C4[®]

Luminaria

Código 05-E109-DL-EH_2700K

Nombre SKAT

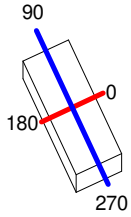
Ensayo

Código 05-E109-DL-EH_2700K

Nombre SKAT

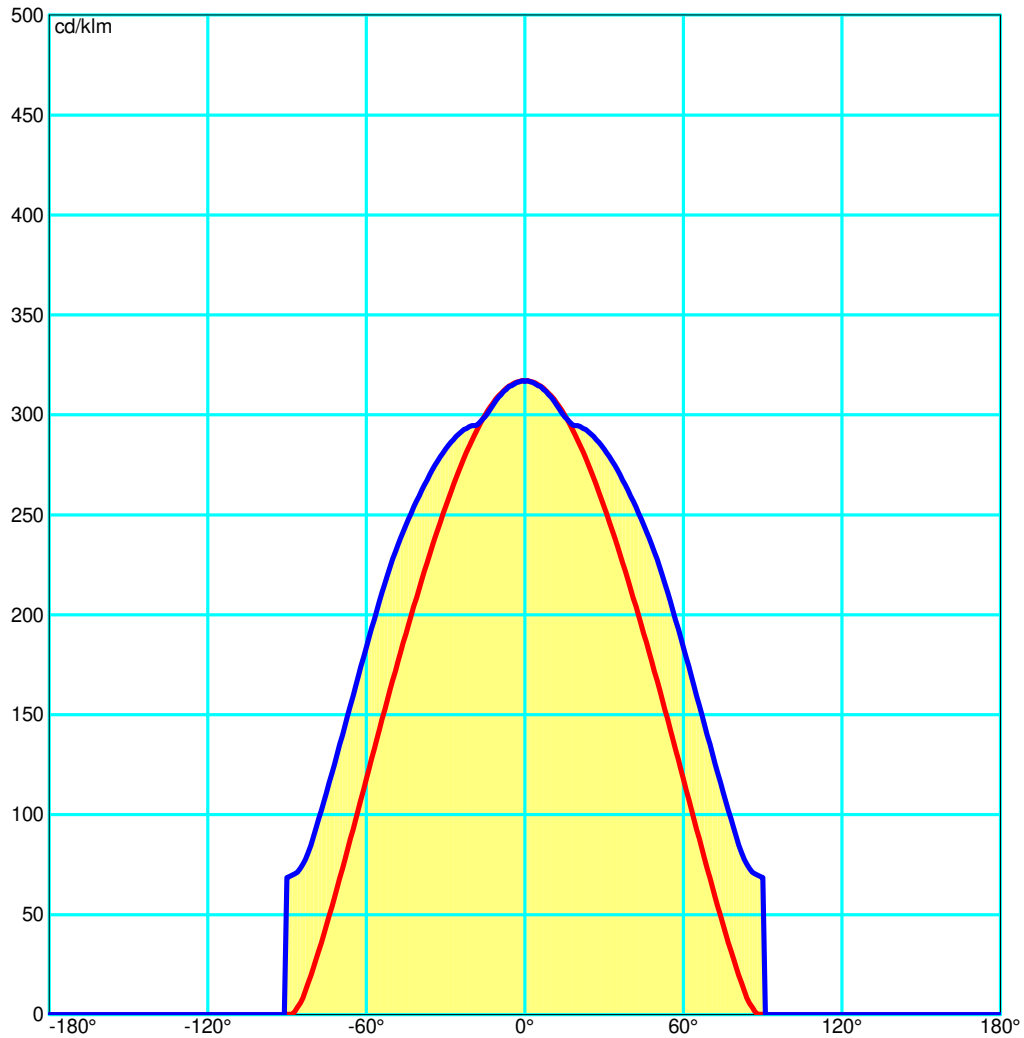
Flujo Luminaria	1316.28 lm	Potencia Luminaria	25.50 W	Eficacia	51.62 lm/W	Eficiencia	100.00%
Flujo Fuentes de luz	1316.28 lm	Valor Máximo	317.22 cd/klm	Posición	C=0.00 G=1.00	CG	Bisimétrico

500mm x 200mm



Semiplanos C

180.0 ——— 0.0
270.0 ——— 90.0



LEDS C4[®]

Luminaria

Código 05-E109-DL-EH_2700K

Nombre SKAT

Ensayo

Código 05-E109-DL-EH_2700K

Nombre SKAT

Flujo Luminaria	1316.28 lm	Potencia Luminaria	25.50 W	Eficacia	51.62 lm/W	Eficiencia	100.00%
Flujo Fuentes de luz	1316.28 lm	Valor Máximo	317.22 cd/klm	Posición	C=0.00 G=1.00	CG	Bisimétrico

UGR
S = 0.250

Reflectancias										
Techo/Cavidad	0.7	0.7	0.5	0.5	0.3	0.7	0.7	0.5	0.5	0.3
Paredes	0.5	0.3	0.5	0.3	0.3	0.5	0.3	0.5	0.3	0.3
PDT	0.2	0.2	0.2	0.2	0.2	0.2	0.2	0.2	0.2	0.2
Dimensiones del Local						Mista Lateral				
Dimensiones del Local						Vista Longitudinal				
x=2H y=2H	15.9	17.3	16.2	17.6	17.8	18.5	19.9	18.7	20.1	20.3
x=2H y=3H	17.0	18.3	17.3	18.5	18.8	20.4	21.7	20.7	21.9	22.2
x=2H y=4H	17.3	18.5	17.7	18.8	19.1	21.3	22.5	21.6	22.8	23.1
x=2H y=6H	17.5	18.6	17.8	18.9	19.2	22.1	23.3	22.5	23.6	23.9
x=2H y=8H	17.5	18.6	17.9	18.9	19.2	22.5	23.6	22.9	24.0	24.3
x=2H y=12H	17.5	18.5	17.8	18.8	19.2	23.0	24.0	23.3	24.3	24.7
x=4H y=2H	16.9	18.2	17.3	18.4	18.7	18.9	20.1	19.2	20.4	20.7
x=4H y=3H	18.2	19.3	18.6	19.6	20.0	21.0	22.1	21.4	22.4	22.8
x=4H y=4H	18.7	19.6	19.1	20.0	20.4	22.1	23.0	22.5	23.4	23.8
x=4H y=6H	18.9	19.8	19.4	20.2	20.6	23.1	23.9	23.5	24.3	24.7
x=4H y=8H	19.0	19.7	19.4	20.1	20.6	23.6	24.4	24.0	24.8	25.2
x=4H y=12H	19.0	19.7	19.4	20.1	20.5	24.1	24.8	24.6	25.2	25.7
x=8H y=4H	19.3	20.0	19.7	20.4	20.9	22.3	23.0	22.7	23.4	23.8
x=8H y=6H	19.7	20.4	20.2	20.8	21.2	23.4	24.1	23.9	24.5	25.0
x=8H y=8H	19.8	20.4	20.3	20.8	21.3	24.1	24.6	24.5	25.1	25.6
x=8H y=12H	19.9	20.4	20.4	20.8	21.3	24.7	25.2	25.2	25.7	26.2
x=12H y=4H	19.4	20.1	19.8	20.5	21.0	22.2	23.0	22.7	23.4	23.8
x=12H y=6H	19.9	20.5	20.4	20.9	21.4	23.5	24.0	24.0	24.5	25.0
x=12H y=8H	20.1	20.6	20.6	21.1	21.6	24.1	24.6	24.6	25.1	25.6

LEDS C4[®]

Luminaria

Código 05-E109-DL-EH_2700K

Nombre SKAT

Ensayo

Código 05-E109-DL-EH_2700K

Nombre SKAT

Flujo Luminaria	1316.28 lm	Potencia Luminaria	25.50 W	Eficacia	51.62 lm/W	Eficiencia	100.00%
Flujo Fuentes de luz	1316.28 lm	Valor Máximo	317.22 cd/klm	Posición	C=0.00 G=1.00	CG	Bisimétrico

Flujo Total=1316.28 Flujo Luminaria=1316.28

RI	0.60	0.80	1.00	1.25	1.50	2.00	2.50	3.00	4.00	5.00	10.00	20.00
DRR	0.27	0.35	0.42	0.49	0.55	0.63	0.69	0.73	0.79	0.82	0.90	0.95
RC	6	6	6	6	6	6	6	6	6	6	6	6

Flujo Zonal por 1000 Lúmenes

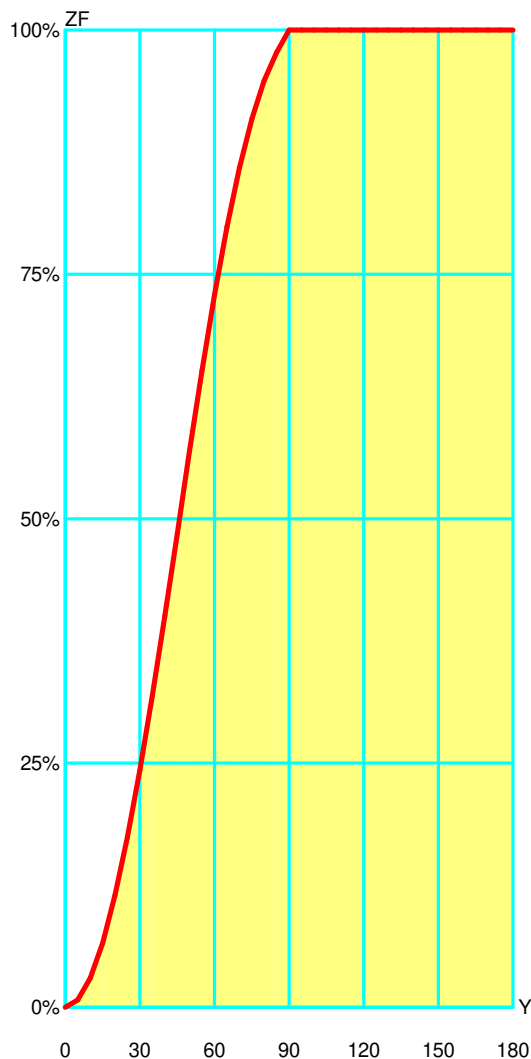
Y°	10	20	30	40	50	60	70	80	90	100	110	120	130	140	150	160	170	180
ZF(Y)	30	114	243	401	569	729	859	948	1000	1000	1000	1000	1000	1000	1000	1000	1000	1000

Códigos de Flujo C.I.E.

42 73 91 100 100

C.I.E.	6
D DIN 5040	A30
F UTE	1.00 G
B NBN	BZ 5
RN	0.00000 %
BLF	1.0

LOR	100.00000 %
ULOR	0.00000 %
DLOR	100.00000 %
UFF	0.00000 %
DFF	100.00000 %
FFR	0.00000 %



Gamma °	Flujo Zonal			
	Flujo	Suma lm	Flujo [%]	Suma [%]
0°	0.00	0.00	0.00%	0.00%
5°	7.56	7.56	0.76%	0.76%
10°	22.32	29.88	2.23%	2.99%
15°	36.08	65.96	3.61%	6.60%
20°	48.42	114.39	4.84%	11.44%
25°	59.49	173.88	5.95%	17.39%
30°	68.93	242.81	6.89%	24.28%
35°	76.31	319.12	7.63%	31.91%
40°	81.46	400.58	8.15%	40.06%
45°	84.18	484.76	8.42%	48.48%
50°	84.42	569.18	8.44%	56.92%
55°	82.18	651.37	8.22%	65.14%
60°	77.31	728.68	7.73%	72.87%
65°	69.97	798.64	7.00%	79.86%
70°	60.69	859.33	6.07%	85.93%
75°	50.07	909.41	5.01%	90.94%
80°	38.99	948.39	3.90%	94.84%
85°	28.62	977.01	2.86%	97.70%
90°	22.99	1000.00	2.30%	100.00%
95°	0.00	1000.00	0.00%	100.00%
100°	0.00	1000.00	0.00%	100.00%
105°	0.00	1000.00	0.00%	100.00%
110°	0.00	1000.00	0.00%	100.00%
115°	0.00	1000.00	0.00%	100.00%
120°	0.00	1000.00	0.00%	100.00%
125°	0.00	1000.00	0.00%	100.00%
130°	0.00	1000.00	0.00%	100.00%
135°	0.00	1000.00	0.00%	100.00%
140°	0.00	1000.00	0.00%	100.00%
145°	0.00	1000.00	0.00%	100.00%
150°	0.00	1000.00	0.00%	100.00%
155°	0.00	1000.00	0.00%	100.00%
160°	0.00	1000.00	0.00%	100.00%
165°	0.00	1000.00	0.00%	100.00%
170°	0.00	1000.00	0.00%	100.00%
175°	0.00	1000.00	0.00%	100.00%
180°	0.00	1000.00	0.00%	100.00%

LEDS C4[®]

Luminaria

Código 05-E109-DL-EH_2700K

Nombre SKAT

Ensayo

Código 05-E109-DL-EH_2700K

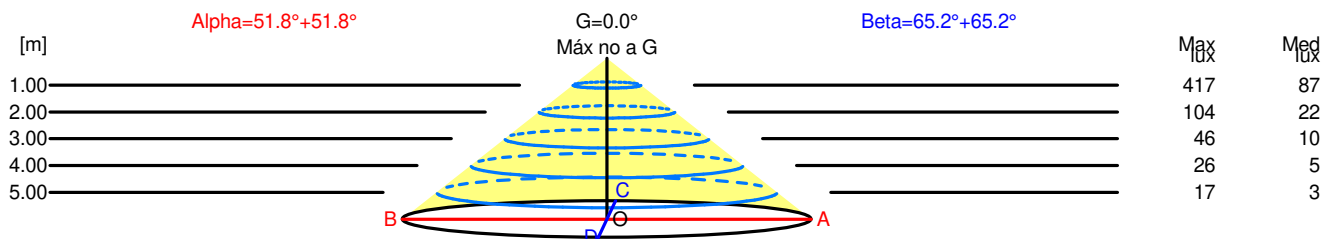
Nombre SKAT

Flujo Luminaria	1316.28 lm	Potencia Luminaria	25.50 W	Eficacia	51.62 lm/W	Eficiencia	100.00%
Flujo Fuentes de luz	1316.28 lm	Valor Máximo	317.22 cd/klm	Posición	C=0.00 G=1.00	CG	Bisimétrico

Apertura a 50.00 % de Max Intensidad

H[m]	1.00	2.00	3.00	4.00	5.00	H[m]	1.00	2.00	3.00	4.00	5.00
OA	1.27	2.54	3.81	5.08	6.35	OC	2.16	4.32	6.48	8.64	10.80
OB	1.27	2.54	3.81	5.08	6.35	OD	2.16	4.32	6.48	8.64	10.80

	Intensidades Luminosas [cd/klm]									
	0	5	15	25	35	45	55	65	75	85
OA	417.13	414.82	394.79	357.98	308.47	250.83	187.83	122.02	59.11	7.57
OB	417.13	414.82	394.79	357.98	308.47	250.83	187.83	122.02	59.11	7.57
OC	417.13	414.22	393.57	382.23	358.59	322.43	272.21	209.80	146.45	96.24
OD	417.13	414.22	393.57	382.23	358.59	322.43	272.21	209.80	146.45	96.24



H[m]	D[m]	Max lux	Med lux	Alpha=51.8°+51.8°	G=0.0 Máx no a G
1.00	2.54	417	87		
2.00	5.08	104	22		
3.00	7.62	46	10		
4.00	10.16	26	5		
5.00	12.70	17	3		

H[m]	D[m]	Max lux	Med lux	Beta=65.2°+65.2°	G=0.0 Máx no a G
1.00	4.32	417	87		
2.00	8.64	104	22		
3.00	12.96	46	10		
4.00	17.28	26	5		
5.00	21.60	17	3		

LEDS C4[®]

Luminaria

Código 05-E109-DL-EH_2700K

Nombre SKAT

Ensayo

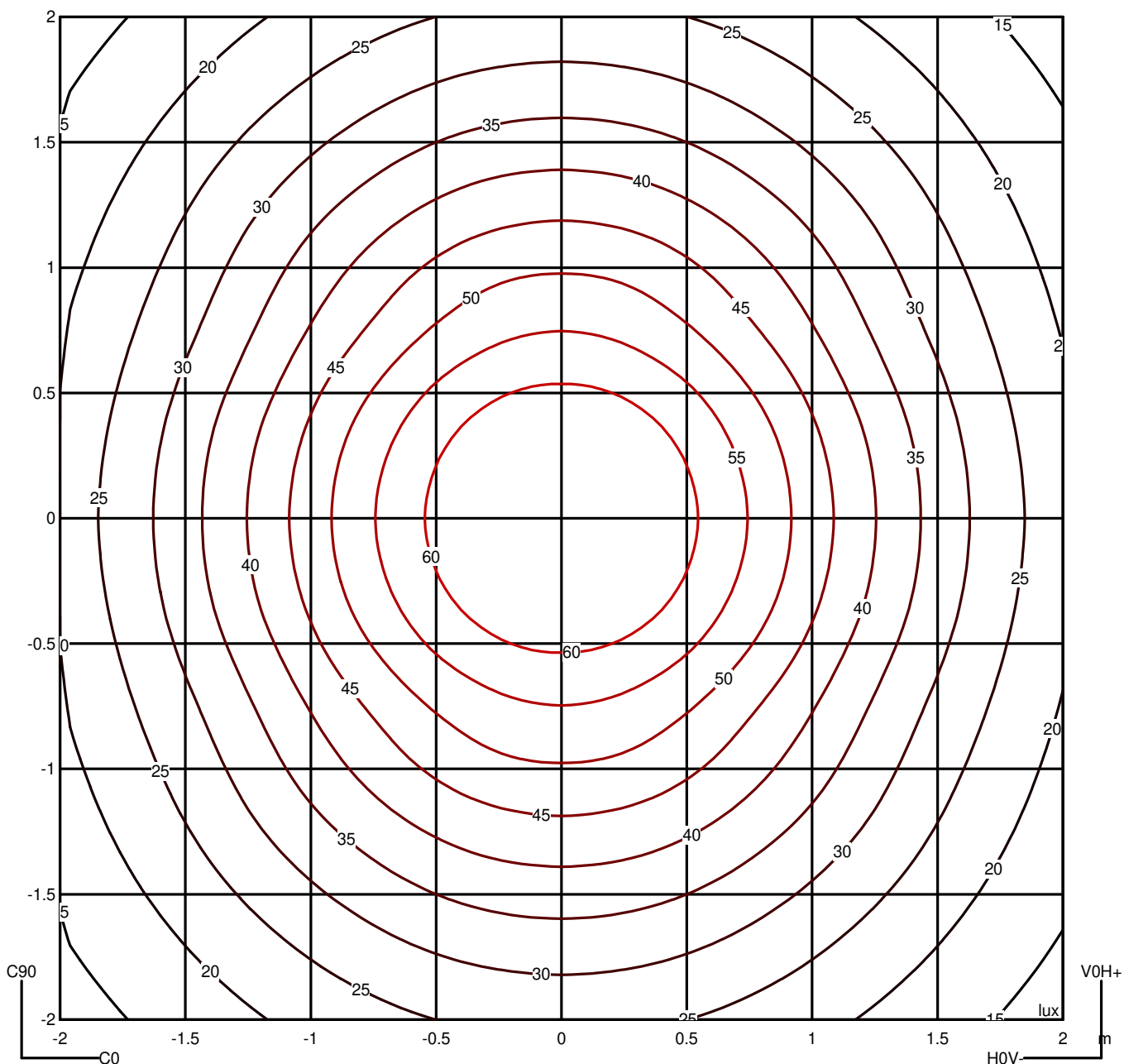
Código 05-E109-DL-EH_2700K

Nombre SKAT

Flujo Luminaria	1316.28 lm	Potencia Luminaria	25.50 W	Eficacia	51.62 lm/W	Eficiencia	100.00%
Flujo Fuentes de luz	1316.28 lm	Valor Máximo	317.22 cd/klm	Posición	C=0.00 G=1.00	CG	Bisimétrico

Isolux (Suelo)

Posición Luminaria X=0.00m Y=0.00m Z=2.50m



LEDS C4[®]

Luminaria

Código 05-E109-DL-EH_2700K

Nombre SKAT

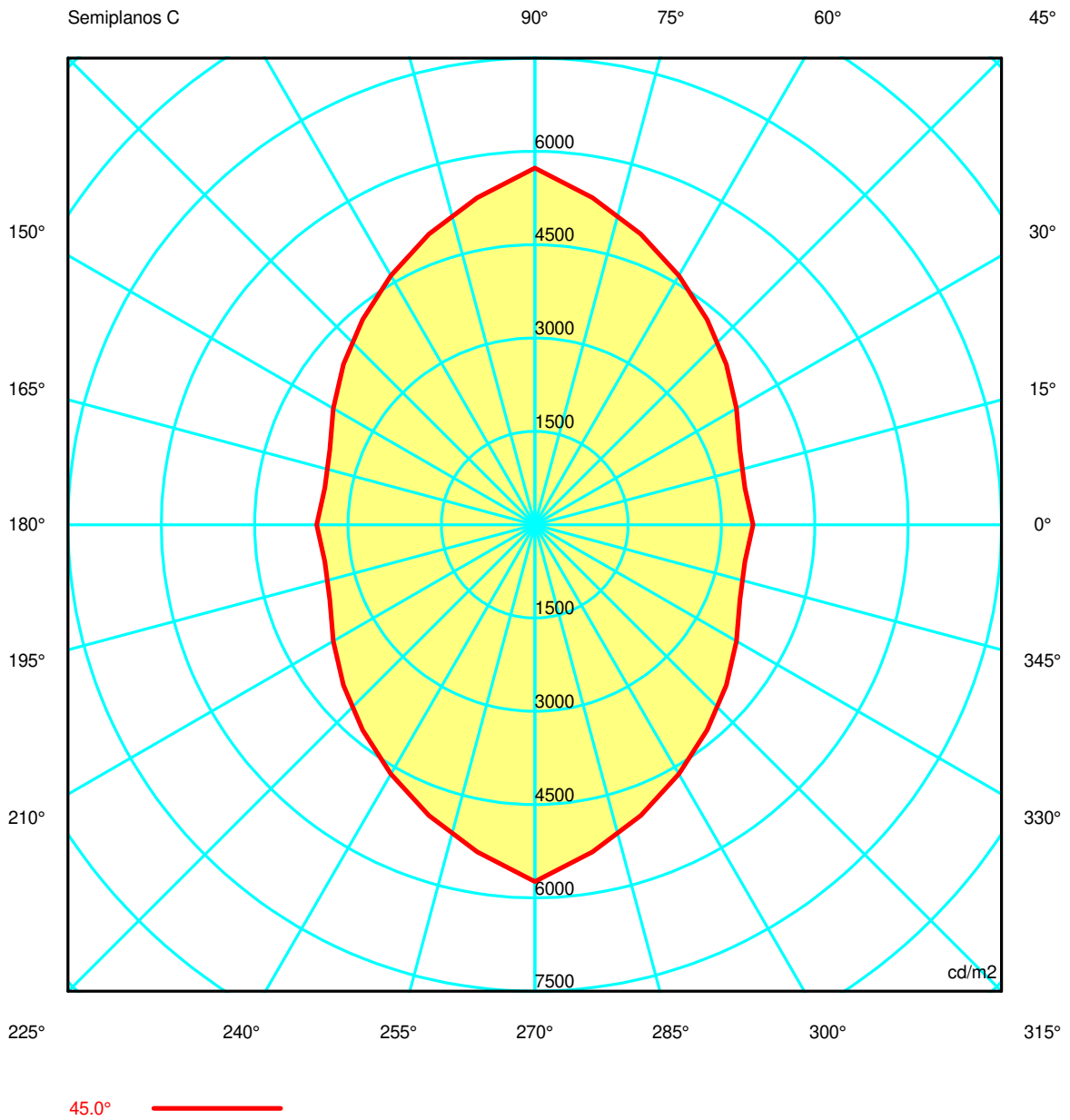
Ensayo

Código 05-E109-DL-EH_2700K

Nombre SKAT

Flujo Luminaria	1316.28 lm	Potencia Luminaria	25.50 W	Eficacia	51.62 lm/W	Eficiencia	100.00%
Flujo Fuentes de luz	1316.28 lm	Valor Máximo	317.22 cd/klm	Posición	C=0.00 G=1.00	CG	Bisimétrico

Luminancia



LEDS C4⁺

Luminaria

Código 05-E109-DL-EH_2700K

Nombre SKAT

Ensayo

Código 05-E109-DL-EH_2700K

Nombre SKAT

Flujo Luminaria	1316.28 lm	Potencia Luminaria	25.50 W	Eficacia	51.62 lm/W	Eficiencia	100.00%						
Flujo Fuentes de luz	1316.28 lm	Valor Máximo	317.22 cd/klm	Posición	C=0.00 G=1.00	CG	Bisimétrico						
Luminance cd/m2		Tabla 1/3											
	C 0.00	C 10.00	C 20.00	C 30.00	C 40.00	C 50.00	C 60.00	C 70.00	C 80.00	C 90.00	C 100.00	C 110.00	C 120.00
G 0.0	6045.36	6045.36	6045.36	6045.36	6045.36	6045.36	6045.36	6045.36	6045.36	6045.36	6045.36	6045.36	6045.36
G 5.0	5798.12	5784.83	5782.50	5789.61	5801.32	5820.56	5847.58	5878.45	5911.63	5947.00	5911.63	5878.45	5847.58
G 10.0	5535.54	5514.92	5509.26	5519.40	5544.30	5579.47	5623.81	5679.75	5746.53	5822.31	5746.53	5679.75	5623.81
G 15.0	5265.12	5236.92	5229.41	5241.36	5269.38	5315.93	5381.48	5463.43	5561.29	5673.79	5561.29	5463.43	5381.48
G 20.0	4985.22	4954.02	4945.01	4954.95	4984.04	5056.48	5180.76	5339.59	5503.47	5665.27	5503.47	5339.59	5180.76
G 25.0	4701.41	4661.77	4645.15	4661.15	4733.19	4885.44	5095.48	5303.83	5503.19	5707.28	5503.19	5303.83	5095.48
G 30.0	4403.12	4366.08	4342.95	4380.77	4551.78	4776.88	5003.53	5241.70	5480.42	5724.67	5480.42	5241.70	5003.53
G 35.0	4113.38	4062.59	4063.75	4158.00	4378.42	4633.96	4883.15	5157.98	5441.02	5733.38	5441.02	5157.98	4883.15
G 40.0	3810.50	3746.81	3791.13	3957.80	4203.33	4477.32	4761.90	5069.26	5388.05	5727.68	5388.05	5069.26	4761.90
G 45.0	3505.28	3427.97	3508.21	3739.20	4012.46	4307.30	4627.14	4973.64	5337.96	5735.73	5337.96	4973.64	4627.14
G 50.0	3187.25	3149.98	3231.83	3511.03	3809.75	4125.63	4476.89	4861.65	5270.25	5723.41	5270.25	4861.65	4476.89
G 55.0	2847.96	2845.96	2959.73	3264.90	3589.80	3932.17	4305.46	4704.28	5140.34	5650.03	5140.34	4704.28	4305.46
G 60.0	2484.39	2492.89	2663.99	2987.74	3342.68	3698.78	4070.66	4491.15	4970.52	5545.19	4970.52	4491.15	4070.66
G 65.0	2091.33	2136.40	2342.94	2687.97	3034.27	3391.15	3790.62	4247.61	4774.93	5424.37	4774.93	4247.61	3790.62
G 70.0	1670.00	1756.02	1984.49	2331.90	2674.81	3046.33	3481.99	3979.85	4565.76	5318.80	4565.76	3979.85	3481.99
G 75.0	1207.18	1342.83	1582.43	1920.70	2282.58	2681.84	3146.43	3695.68	4355.49	5230.05	4355.49	3695.68	3146.43
G 80.0	708.17	880.82	1139.04	1489.73	1880.52	2313.27	2812.45	3415.37	4171.58	5248.54	4171.58	3415.37	2812.45
G 85.0	198.71	390.44	701.03	1126.24	1565.07	2052.25	2634.02	3343.60	4297.08	5842.25	4297.08	3343.60	2634.02
G 90.0	6.43	258.48	632.82	1137.35	1676.49	2279.45	3020.82	4020.16	5544.68	8589.92	5544.68	4020.16	3020.82

LEDS C4⁴

Luminaria

Código 05-E109-DL-EH_2700K

Nombre SKAT

Ensayo

Código 05-E109-DL-EH_2700K

Nombre SKAT

Flujo Luminaria	1316.28 lm	Potencia Luminaria	25.50 W	Eficacia	51.62 lm/W	Eficiencia	100.00%
Flujo Fuentes de luz	1316.28 lm	Valor Máximo	317.22 cd/klm	Posición	C=0.00 G=1.00	CG	Bisimétrico

Luminance cd/m2 Tabla 2/3

	C 130.00	C 140.00	C 150.00	C 160.00	C 170.00	C 180.00	C 190.00	C 200.00	C 210.00	C 220.00	C 230.00	C 240.00	C 250.00
G 0.0	6045.36	6045.36	6045.36	6045.36	6045.36	6045.36	6045.36	6045.36	6045.36	6045.36	6045.36	6045.36	6045.36
G 5.0	5820.56	5801.32	5789.61	5782.50	5784.83	5798.12	5784.83	5782.50	5789.61	5801.32	5820.56	5847.58	5878.45
G 10.0	5579.47	5544.30	5519.40	5509.26	5514.92	5535.54	5514.92	5509.26	5519.40	5544.30	5579.47	5623.81	5679.75
G 15.0	5315.93	5269.38	5241.36	5229.41	5236.92	5265.12	5236.92	5229.41	5241.36	5269.38	5315.93	5381.48	5463.43
G 20.0	5056.48	4984.04	4954.95	4945.01	4954.02	4985.22	4954.02	4945.01	4954.95	4984.04	5056.48	5180.76	5339.59
G 25.0	4885.44	4733.19	4661.15	4645.15	4661.77	4701.41	4661.77	4645.15	4661.15	4733.19	4885.44	5095.48	5303.83
G 30.0	4776.88	4551.78	4380.77	4342.95	4366.08	4403.12	4366.08	4342.95	4380.77	4551.78	4776.88	5003.53	5241.70
G 35.0	4633.96	4378.42	4158.00	4063.75	4062.59	4113.38	4062.59	4063.75	4158.00	4378.42	4633.96	4883.15	5157.98
G 40.0	4477.32	4203.33	3957.80	3791.13	3746.81	3810.50	3746.81	3791.13	3957.80	4203.33	4477.32	4761.90	5069.26
G 45.0	4307.30	4012.46	3739.20	3508.21	3427.97	3505.28	3427.97	3508.21	3739.20	4012.46	4307.30	4627.14	4973.64
G 50.0	4125.63	3809.75	3511.03	3231.83	3149.98	3187.25	3149.98	3231.83	3511.03	3809.75	4125.63	4476.89	4861.65
G 55.0	3932.17	3589.80	3264.90	2959.73	2845.96	2847.96	2845.96	2959.73	3264.90	3589.80	3932.17	4305.46	4704.28
G 60.0	3698.78	3342.68	2987.74	2663.99	2492.89	2484.39	2492.89	2663.99	2987.74	3342.68	3698.78	4070.66	4491.15
G 65.0	3391.15	3034.27	2687.97	2342.94	2136.40	2091.33	2136.40	2342.94	2687.97	3034.27	3391.15	3790.62	4247.61
G 70.0	3046.33	2674.81	2331.90	1984.49	1756.02	1670.00	1756.02	1984.49	2331.90	2674.81	3046.33	3481.99	3979.85
G 75.0	2681.84	2282.58	1920.70	1582.43	1342.83	1207.18	1342.83	1582.43	1920.70	2282.58	2681.84	3146.43	3695.68
G 80.0	2313.27	1880.52	1489.73	1139.04	880.82	708.17	880.82	1139.04	1489.73	1880.52	2313.27	2812.45	3415.37
G 85.0	2052.25	1565.07	1126.24	701.03	390.44	198.71	390.44	701.03	1126.24	1565.07	2052.25	2634.02	3343.60
G 90.0	2279.45	1676.49	1137.35	632.82	258.48	6.43	258.48	632.82	1137.35	1676.49	2279.45	3020.82	4020.16

LEDS C4[®]

Luminaria

Código 05-E109-DL-EH_2700K

Nombre SKAT

Ensayo

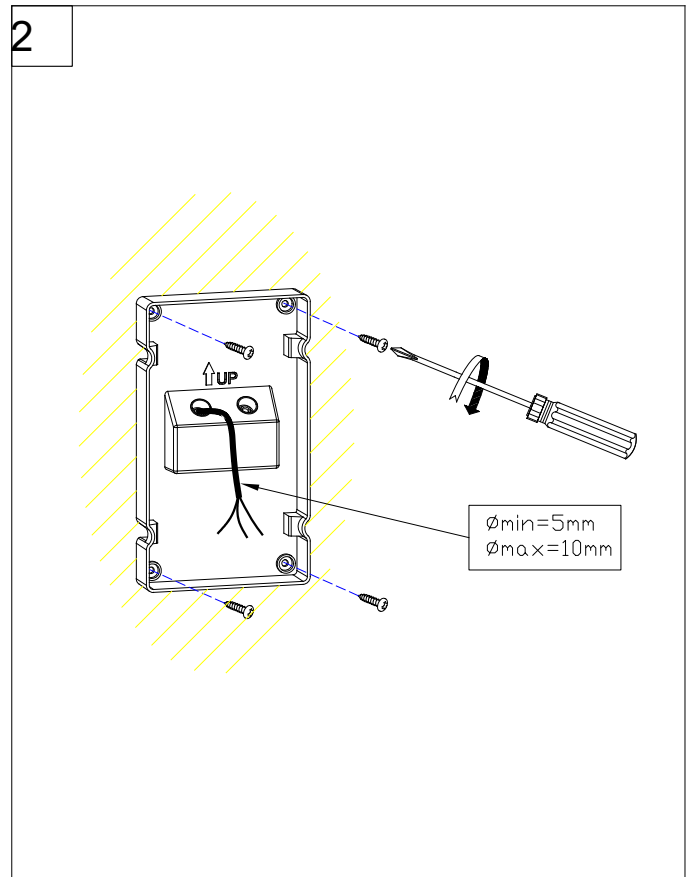
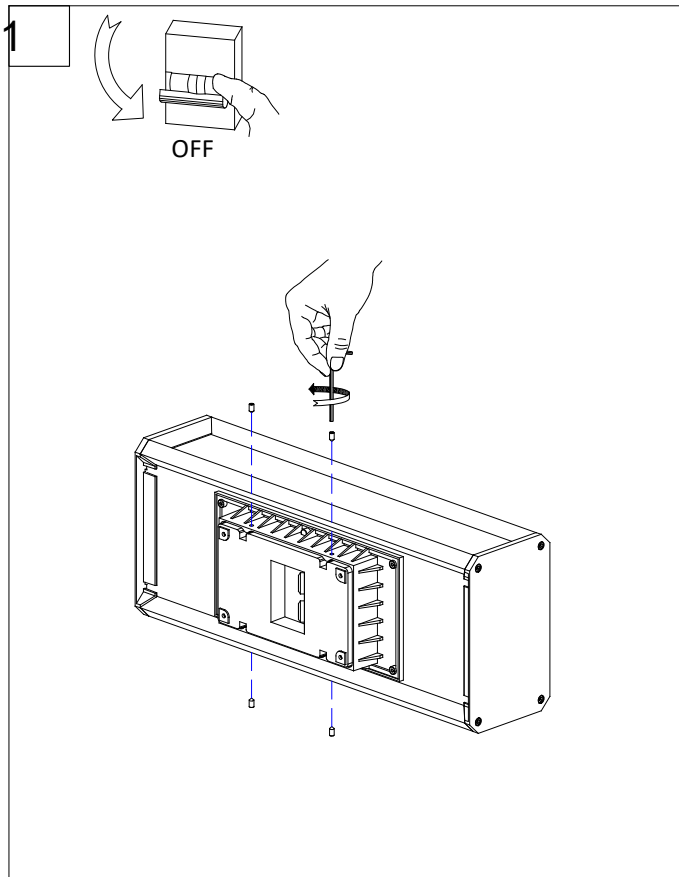
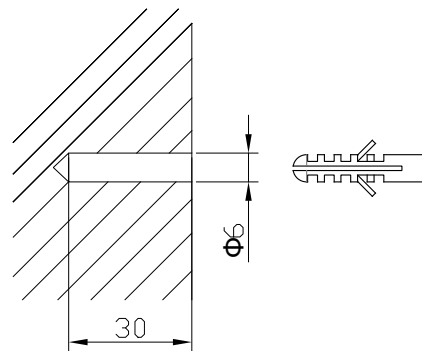
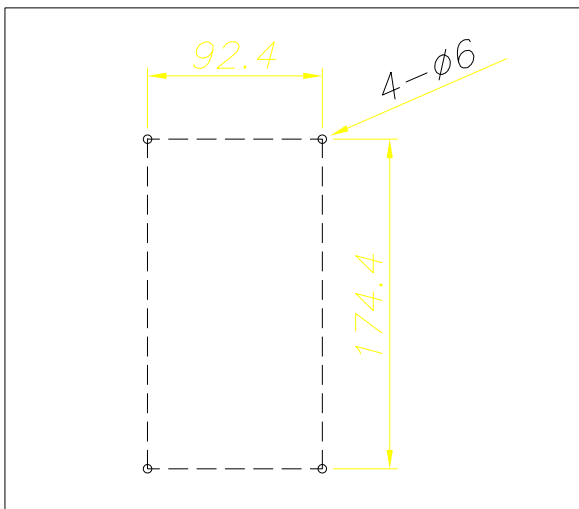
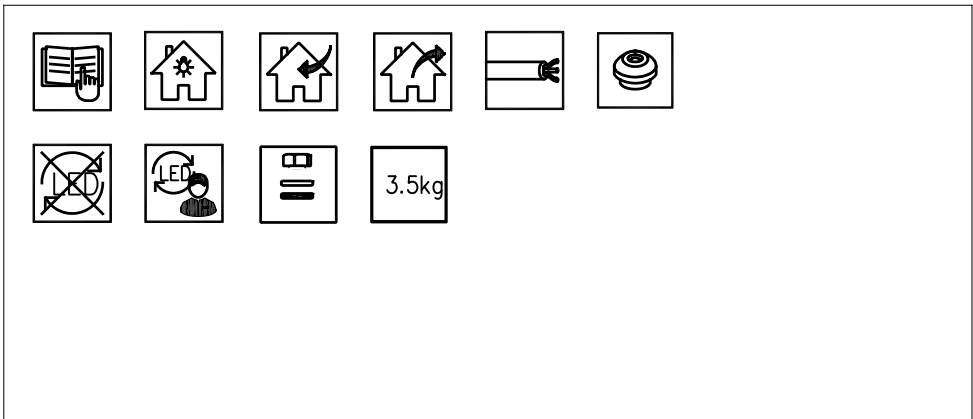
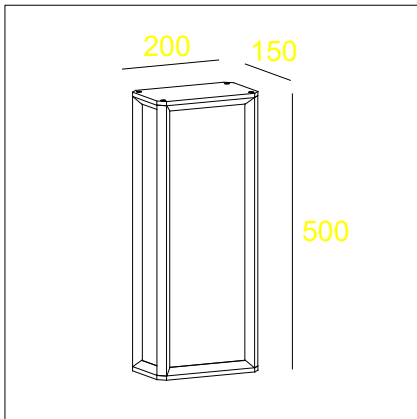
Código 05-E109-DL-EH_2700K

Nombre SKAT

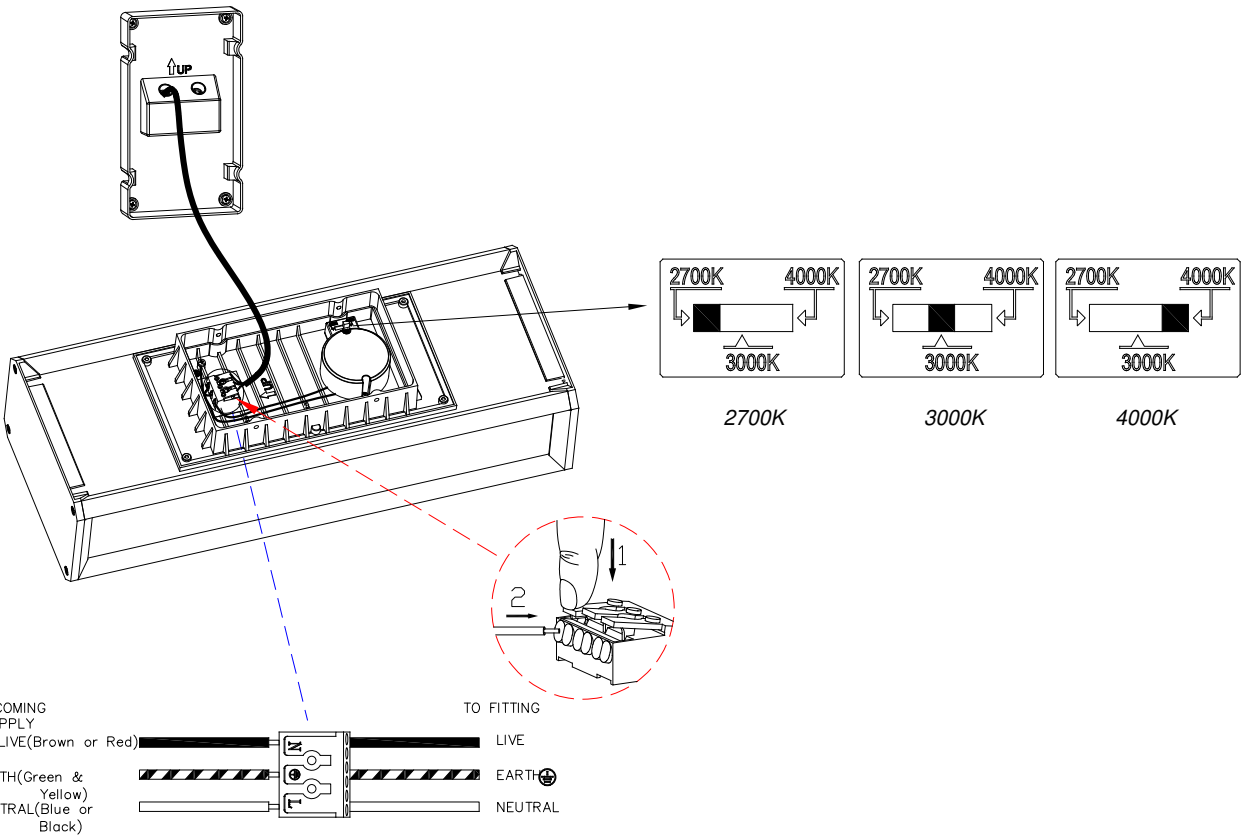
Flujo Luminaria	1316.28 lm	Potencia Luminaria	25.50 W	Eficacia	51.62 lm/W	Eficiencia	100.00%
Flujo Fuentes de luz	1316.28 lm	Valor Máximo	317.22 cd/klm	Posición	C=0.00 G=1.00	CG	Bisimétrico

Luminance cd/m2 Tabla 3/3

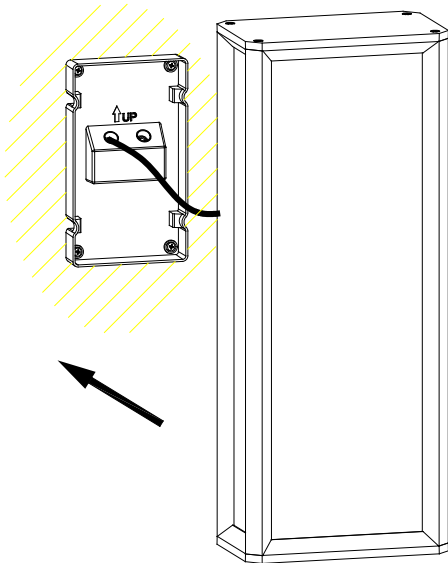
	C 260.00	C 270.00	C 280.00	C 290.00	C 300.00	C 310.00	C 320.00	C 330.00	C 340.00	C 350.00
G 0.0	6045.36	6045.36	6045.36	6045.36	6045.36	6045.36	6045.36	6045.36	6045.36	6045.36
G 5.0	5911.63	5947.00	5911.63	5878.45	5847.58	5820.56	5801.32	5789.61	5782.50	5784.83
G 10.0	5746.53	5822.31	5746.53	5679.75	5623.81	5579.47	5544.30	5519.40	5509.26	5514.92
G 15.0	5561.29	5673.79	5561.29	5463.43	5381.48	5315.93	5269.38	5241.36	5229.41	5236.92
G 20.0	5503.47	5665.27	5503.47	5339.59	5180.76	5056.48	4984.04	4954.95	4945.01	4954.02
G 25.0	5503.19	5707.28	5503.19	5303.83	5095.48	4885.44	4733.19	4661.15	4645.15	4661.77
G 30.0	5480.42	5724.67	5480.42	5241.70	5003.53	4776.88	4551.78	4380.77	4342.95	4366.08
G 35.0	5441.02	5733.38	5441.02	5157.98	4883.15	4633.96	4378.42	4158.00	4063.75	4062.59
G 40.0	5388.05	5727.68	5388.05	5069.26	4761.90	4477.32	4203.33	3957.80	3791.13	3746.81
G 45.0	5337.96	5735.73	5337.96	4973.64	4627.14	4307.30	4012.46	3739.20	3508.21	3427.97
G 50.0	5270.25	5723.41	5270.25	4861.65	4476.89	4125.63	3809.75	3511.03	3231.83	3149.98
G 55.0	5140.34	5650.03	5140.34	4704.28	4305.46	3932.17	3589.80	3264.90	2959.73	2845.96
G 60.0	4970.52	5545.19	4970.52	4491.15	4070.66	3698.78	3342.68	2987.74	2663.99	2492.89
G 65.0	4774.93	5424.37	4774.93	4247.61	3790.62	3391.15	3034.27	2687.97	2342.94	2136.40
G 70.0	4565.76	5318.80	4565.76	3979.85	3481.99	3046.33	2674.81	2331.90	1984.49	1756.02
G 75.0	4355.49	5230.05	4355.49	3695.68	3146.43	2681.84	2282.58	1920.70	1582.43	1342.83
G 80.0	4171.58	5248.54	4171.58	3415.37	2812.45	2313.27	1880.52	1489.73	1139.04	880.82
G 85.0	4297.08	5842.25	4297.08	3343.60	2634.02	2052.25	1565.07	1126.24	701.03	390.44
G 90.0	5544.68	8589.92	5544.68	4020.16	3020.82	2279.45	1676.49	1137.35	632.82	258.48



3



4



5

