



## Square diffuser x 5

Leds C4 Team

**71-5658-00-00**

5 x Square diffuser



### TECHNICAL FEATURES

---

Structure material : Methacrylate

Warranty : 2 Years

Diffuser material : Methacrylate

Diffuser finish : Transparent

### LOGISTICS

---

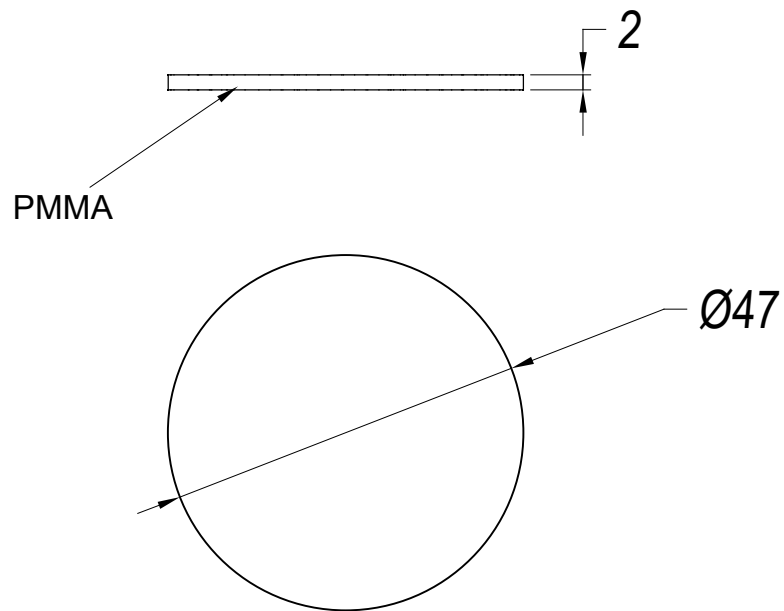
Net weight (kg): 0.08

Packaged weight (kg): 0.33

Packaging: 60mm x 60mm x 45mm



200 Un



**CE**

max. 700mA 10'3V  
constant current

**CE**

max. 350mA 37V  
constant current

- PLAY 7W:  
71-3878V1  
71-3225V1  
71-5130V1

- PLAY 13W:  
71-3881V1  
71-3882V1  
71-5131V1  
71-5165V1

\* The number of modules that can be connected in series depends on the available output voltage of the LED driver.

